

UNITED STATES INTERNATIONAL TRADE COMMISSION
Washington, D.C.

In the Matter of

**CERTAIN WOMEN'S FLATS WITH
COLORED OUTSOLES THEREOF**

Investigation No. 337-TA-1428

GENERAL EXCLUSION ORDER

The United States International Trade Commission ("Commission") has determined that there is a violation of section 337 of the Tariff Act of 1930, as amended (19 U.S.C. § 1337), in the unlawful importation, sale for importation, or sale within the United States after importation of certain women's flats with colored outsoles thereof (as defined in paragraph 2 below) that infringe one or more of the claims of U.S. Design Patent Nos. D681,928 ("the D'928 patent"), D844,951 ("the D'951 patent"), D681,927 ("the D'927 patent"), D686,812 ("the D'812 patent"), and D688,853 ("the D'853 patent") ("Asserted Patents").

Having reviewed the record in this investigation, including the written submissions of the parties, the Commission has made its determinations on the issues of remedy, the public interest, and bonding. The Commission has determined that a general exclusion from entry for consumption is necessary (1) to prevent circumvention of an exclusion order limited to products of named persons and (2) because there is a pattern of violation of section 337 and it is difficult to identify the source of the infringing products. Accordingly, the Commission has determined to issue a general exclusion order prohibiting the unlicensed importation of infringing women's flats with colored outsoles thereof.

The Commission has also determined that the public interest factors enumerated in 19 U.S.C. § 1337(d) do not preclude the issuance of the general exclusion order, and that the

bond during the period of Presidential review shall be in the amount of one hundred percent (100%) of the entered value of the articles subject to this Order.

Accordingly, the Commission hereby **ORDERS** that:

1. Women's flats with colored outsoles thereof (as defined in paragraph 2 below) that infringe one or more of claims of the D'928, D'951, D'927, D'812, and D'853 patents are excluded from entry for consumption into the United States, entry for consumption from a foreign-trade zone, or withdrawal from a warehouse for consumption, for the remaining terms of the Asserted Patents, except under license from, or with the permission of, the patent owner or as provided by law.

2. The women's flats with colored outsoles thereof subject to this exclusion order (*i.e.*, "covered articles") are as follows: women's ballet flats with colored outsoles thereof.

3. Notwithstanding paragraph 1 of this Order, covered articles are entitled to entry into the United States for consumption, entry for consumption from a foreign trade zone, or withdrawal from a warehouse for consumption, under bond in the amount of one hundred percent (100%) of their entered value, pursuant to subsection (j) of section 337 (19 U.S.C. § 1337(j)) and the Presidential Memorandum for the United States Trade Representative of July 21, 2005 (70 Fed. Reg. 43,251), from the day after this Order is received by the United States Trade Representative until such time as the United States Trade Representative notifies the Commission that this Order is approved or disapproved but, in any event, not later than sixty (60) days after the receipt of this Order. All entries of covered articles made pursuant to this paragraph are to be reported to U.S. Customs and Border Protection ("CBP"), in advance of the date of the entry, pursuant to procedures CBP establishes.

4. At the discretion of CBP and pursuant to the procedures it establishes, persons seeking to import articles may be required to certify that they are familiar with the terms of this Order, that they have made appropriate inquiry, and thereupon state that, to the best of their knowledge and belief, the products being imported are not excluded from entry under paragraph 1 of this Order. At its discretion, CBP may require persons who have provided the certification described in this paragraph to furnish such records or analyses as are necessary to substantiate the certification.

5. In accordance with 19 U.S.C. § 1337(l), the provisions of this Order shall not apply to covered articles that are imported by and for the use of the United States, or imported for and to be used for, the United States with the authorization or consent of the Government.

6. The Commission may modify this Order in accordance with the procedures described in Rule 210.76 of the Commission's Rules of Practice and Procedure (19 C.F.R. § 210.76).

7. The Secretary shall serve copies of this Order upon each party of record in this investigation and upon CBP.

8. Notice of this Order shall be published in the Federal Register.

By order of the Commission.

A handwritten signature in black ink, appearing to read 'Lisa R. Barton', enclosed in a thin black rectangular border.

Lisa R. Barton
Secretary to the Commission

Issued: June 3, 2026

**UNITED STATES INTERNATIONAL TRADE COMMISSION
Washington, D.C.**

In the Matter of

**CERTAIN WOMEN’S FLATS WITH
COLORED OUTSOLES THEREOF**

Investigation No. 337-TA-1428

LIMITED EXCLUSION ORDER

The United States International Trade Commission (“Commission”) has found respondents Kijera’s OneDrop LLC d/b/a “OneDrop Clothing” (“OneDrop”), CrazeFashionShoes (“Craze”), Pierjeda Information Technology Co., Ltd. d/b/a “Piergitar” (“Piergitar”), Guangzhou Shun Cheng Trading Co., Ltd. d/b/a “koshio_luxury_shoes” (“Guangzhou Shun Cheng”), Zhangpu County Shengze Trading Company d/b/a “Trend is awesome” (“Shengze Trading Company”), Huihui Bianan d/b/a “The Other Side of HuiHui” (“Huihui”), Bingxin Qingfeng d/b/a “Leather women’s shoes clearance sale” (“Bingxin Qingfeng”), Baiqiuju1983 d/b/a “Singing barefoot in the trees” (“Baiqiuju1983”), tb249835650 d/b/a “If I am sincere, I will be free” (“tb249835650”), Yuyoufang Foreign Trade Store d/b/a “Ten Mile Chunfeng Store BBC20199” (“Yuyoufang”), Xu Wenping 123 d/b/a “Cinderella Fashion House 888” (“Xu Wengping”), and Ynwll d/b/a “Xiao Chenchen’s foreign trade shoes” (“Ynwll”) (collectively, “Defaulting Respondents”) in default. *See See* Order No. 8 (May 13, 2025), *unreviewed by* Comm’n Notice (Jun. 3, 2025). The Complaint alleged a violation of section 337 of the Tariff Act of 1930, as amended, 19 U.S.C. § 1337, in the unlawful importation, sale for importation, or sale within the United States after importation of certain women’s flats with colored outsoles thereof that infringe one or more of the claims of U.S. Design Patent Nos. D844,950 (“the D’950 patent”), D781,035 (“the D’035 patent”), and

D781,032 (“the D’032 patent”) (the “Asserted Patents”), and certain women trade dress described in the Complaint (*see* Compl. ¶ 129) (the “Asserted Trade Dress”). Because the conditions in 19 U.S.C. § 1337(g)(1)(A)–(E) have been satisfied, the Commission, upon the request of the complainant, issues a limited exclusion order, based on the allegations regarding a violation of section 337 in the complaint that are presumed to be true as to the Defaulting Respondents.

Having reviewed the record in this investigation, including the written submissions of the parties, the Commission has made its determinations on the issues of remedy, the public interest, and bonding. The Commission has determined that the appropriate form of relief is a limited exclusion order prohibiting the unlicensed entry of infringing women’s flats with colored outsoles manufactured by or on behalf of Respondents or any of their affiliated companies, parents, subsidiaries, agents, or other related business entities, or its successors or assigns.

The Commission has also determined that the public interest factors enumerated in 19 U.S.C. § 1337(g)(1) do not preclude the issuance of the limited exclusion order, and that the bond during the period of Presidential review shall be in the amount of one hundred percent (100%) of the entered value of the articles subject to this Order.

Accordingly, the Commission hereby **ORDERS** that:

1. Women’s flats with colored outsoles thereof (as defined in paragraph 4 below) that infringe one or more of the claims of D’950 patent or the D’035 patent and are manufactured abroad by, or on behalf of, or imported by or on behalf of OneDrop, Craze, Piergitar, Guangzhou Shun Cheng, Shengze Trading Company, Huihui, Bingxin Qingfeng, Baiqiuju1983, tb249835650, Yuyoufang, Xu Wenping, and Ynwll, or any of their affiliated companies, parents, subsidiaries, agents, or other related business entities, or its successors or assigns, are excluded from entry for consumption into the United States, entry for consumption from a foreign-trade zone, or

withdrawal from a warehouse for consumption, for the remaining terms of the D'950 patent or the D'035 patent, except under license from, or with the permission of, the patent owner or as provided by law.

2. Women's flats with colored outsoles thereof (as defined in paragraph 4 below) that infringe one or more of the claims of the D'032 patent and are manufactured abroad by, or on behalf of, or imported by or on behalf of OneDrop, Piergitar, Bingxin Qingfeng, tb249835650, and Yuyoufang, or any of their affiliated companies, parents, subsidiaries, agents, or other related business entities, or its successors or assigns, are excluded from entry for consumption into the United States, entry for consumption from a foreign-trade zone, or withdrawal from a warehouse for consumption, for the remaining term of the D'032 patent, except under license from, or with the permission of, the patent owner or as provided by law.

3. Women's flats with colored outsoles thereof (as defined in paragraph 4 below) that infringe the Asserted Trade Dress that are manufactured abroad by or on behalf of, or imported by or on behalf of OneDrop, Craze, Piergitar, Guangzhou Shun Cheng, Shengze Trading Company, Huihui, Bingxin Qingfeng, Baiqiuju1983, tb249835650, Yuyoufang, Xu Wenping, and Ynwll, or any of their affiliated companies, parents, subsidiaries, agents, or other related business entities, or its successors or assigns, are excluded from entry for consumption into the United States, entry for consumption from a foreign-trade zone, or withdrawal from a warehouse for consumption, until the Asserted Trade Dress has been abandoned or rendered invalid or unenforceable, except under license from, or with the permission of, the patent owner or as provided by law.

4. The women's flats with colored outsoles thereof subject to this exclusion order (*i.e.*, "covered articles") are as follows: women's ballet flats with colored outsoles thereof.

5. For the purpose of assisting U.S. Customs and Border Protection (“CBP”) in the enforcement of this Order, and without in any way limiting the scope of the Order, the Commission has attached copies of the Asserted Patents and the Asserted Trade Dress at issue as Exhibits A-D.

6. Complainant shall file a written statement with the Commission, made under oath, each year on the anniversary of the issuance of this Order stating whether Complainant continues to use the asserted trade dress in commerce in the United States in connection with women’s flats with colored outsoles thereof and whether the asserted trade dress has been abandoned, canceled, or rendered invalid or unenforceable.

7. Notwithstanding paragraphs 1-3 of this Order, covered articles are entitled to entry into the United States for consumption, entry for consumption from a foreign trade zone, or withdrawal from a warehouse for consumption, under bond in the amount of one hundred percent (100%) of their entered value, pursuant to subsection (j) of section 337 (19 U.S.C. § 1337(j)) and the Presidential Memorandum for the United States Trade Representative of July 21, 2005 (70 Fed. Reg. 43,251), from the day after this Order is received by the United States Trade Representative until such time as the United States Trade Representative notifies the Commission that this Order is approved or disapproved but, in any event, not later than sixty (60) days after the receipt of this Order. All entries of covered articles made pursuant to this paragraph are to be reported to U.S. Customs and Border Protection (“CBP”), in advance of the date of the entry, pursuant to procedures CBP establishes.

8. At the discretion of CBP and pursuant to the procedures it establishes, persons seeking to import articles may be required to certify that they are familiar with the terms of this Order, that they have made appropriate inquiry, and thereupon state that, to the best of their knowledge and belief, the products being imported are not excluded from entry under paragraph 1 of this Order. At its discretion, CBP may require persons who have provided the certification

described in this paragraph to furnish such records or analyses as are necessary to substantiate the certification.

9. In accordance with 19 U.S.C. § 1337(l), the provisions of this Order shall not apply to covered articles that are imported by and for the use of the United States, or imported for and to be used for, the United States with the authorization or consent of the Government.

10. The Commission may modify this Order in accordance with the procedures described in Rule 210.76 of the Commission's Rules of Practice and Procedure (19 C.F.R. § 210.76).

11. The Secretary shall serve copies of this Order upon each party of record in this investigation and upon CBP.

12. Notice of this Order shall be published in the Federal Register.

By order of the Commission.

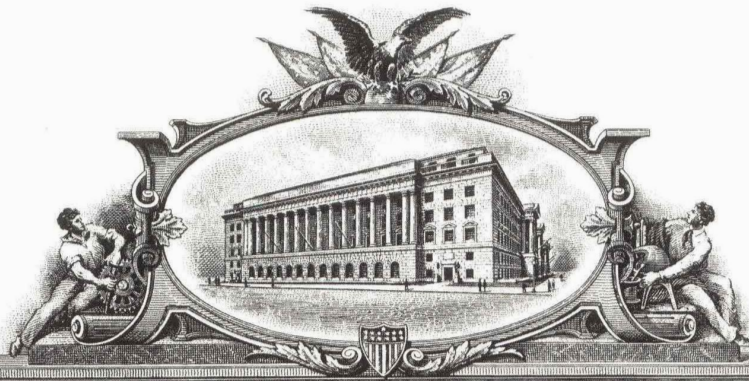
A handwritten signature in black ink, appearing to read 'Lisa R. Barton', enclosed in a thin black rectangular border.

Lisa R. Barton
Secretary to the Commission

Issued: June 3, 2026

Exhibit A

8509814



THE UNITED STATES OF AMERICA

TO ALL TO WHOM THESE PRESENTS SHALL COME:

UNITED STATES DEPARTMENT OF COMMERCE
United States Patent and Trademark Office


July 31, 2024

THIS IS TO CERTIFY THAT ANNEXED HERETO IS A TRUE COPY FROM
THE RECORDS OF THIS OFFICE OF:

PATENT NUMBER: *D781,032*

ISSUE DATE: *March 14, 2017*

By Authority of the
Under Secretary of Commerce for Intellectual Property
and Director of the United States Patent and Trademark Office


Pam Grant
Certifying Officer





US00D781032S

(12) **United States Design Patent** (10) **Patent No.:** **US D781,032 S**
Gavrieli et al. (45) **Date of Patent:** **** Mar. 14, 2017**

- (54) **DUAL-SOLE SHOE WITH COLOR
OUTPATCH SOLE** 1,519,009 A 12/1924 Reina
1,525,848 A * 2/1925 Bonaventure A43B 5/12
36/113
- (71) Applicant: **Gavrieli Brands LLC**, Beverly Hills,
CA (US) 1,587,377 A 6/1926 Grosjean
1,650,466 A 11/1927 Righter
2,224,590 A 12/1940 Boivin
2,268,777 A 1/1942 Scholl
- (72) Inventors: **Kfir Gavrieli**, Beverly Hills, CA (US);
Dikla Gavrieli, Beverly Hills, CA (US) D133,819 S * 9/1942 Harris D2/939
D135,791 S 6/1943 Beebe
2,323,563 A 7/1943 Nugent
- (73) Assignee: **Gavrieli Brands LLC**, Beverly Hills,
CA (US) 2,342,882 A 2/1944 Meltzer
D141,871 S 7/1945 Braun
2,383,585 A 8/1945 Bindner
- (**) Term: **14 Years** D149,685 S * 5/1948 Sandler D2/935
D150,729 S * 8/1948 Sandler D2/923
D166,090 S * 3/1952 Maling D2/897
- (21) Appl. No.: **29/509,246** 2,772,488 A 12/1956 Meltzer
2,904,814 A 9/1959 Scholl
- (22) Filed: **Nov. 14, 2014** 3,148,378 A 9/1964 Tibbitts
D200,897 S * 4/1965 Mitchell D2/919
D220,464 S 4/1971 Hayoshi
D247,396 S * 3/1978 Schlerth D2/939
4,412,393 A 11/1983 Terlizzi, Jr. et al.
D275,525 S 9/1984 Nakao

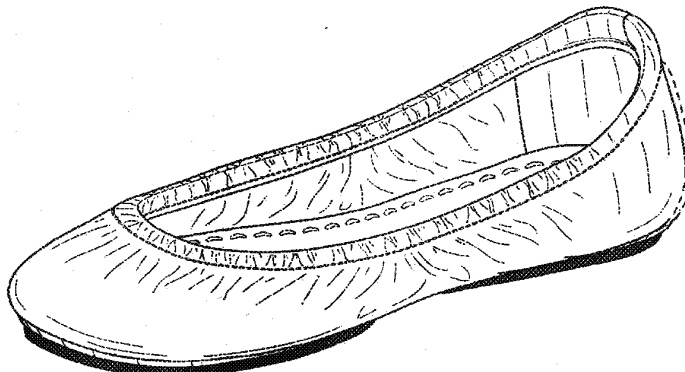
Related U.S. Application Data

- (63) Continuation of application No. 14/266,599, filed on
Apr. 30, 2014, now Pat. No. 9,398,786, which is a
continuation of application No. 13/207,397, filed on
Aug. 10, 2011, now Pat. No. 8,745,893.
- (51) **LOC (10) Cl.** **02-04**
- (52) **U.S. Cl.**
USPC **D2/939**
- (58) **Field of Classification Search**
USPC D2/896, 900, 919-921, 925, 939, 947,
D2/950, 969, 971; 36/1, 83, 8.1-8.3, 9 R,
36/45-58, 104, 108, 76 R
CPC A43B 21/00; A43B 21/02; A43B 21/06;
A43B 9/14; A43B 1/0045; A43B 13/10;
A43B 13/12; A43B 23/06; A43B 23/07;
A43B 1/0036; A43B 5/12
See application file for complete search history.

(56) **References Cited**

U.S. PATENT DOCUMENTS

- 249,086 A 11/1881 Pienovi
- 773,850 A 11/1904 Cooper et al.
- 830,941 A 9/1906 Walden
- 1,208,209 A 12/1916 Prince
- 1,214,666 A 2/1917 Ford
- 5,282,326 A 2/1994 Schroer, Jr. et al.
- 5,421,050 A 6/1995 Laganas
- 5,699,629 A 12/1997 Munschy
- 5,746,014 A 5/1998 Tanemoto
- D420,785 S 2/2000 Perez
- 6,055,745 A 5/2000 Endoh
- 6,076,284 A 6/2000 Terlizzi
- 6,189,239 B1 2/2001 Gasparovic et al.
- 6,338,207 B1 1/2002 Chang
- D457,292 S * 5/2002 Sessa D2/949
- D461,947 S 8/2002 Merceron
- D476,798 S 7/2003 Reynolds et al.
- 6,588,124 B2 7/2003 Morrone
- D498,041 S 11/2004 McClaskie
- D500,191 S * 12/2004 Belley D2/969
- D501,706 S 2/2005 McClaskie
- 6,857,203 B2 2/2005 Minden
- 6,895,693 B2 5/2005 Baruck
- 6,978,557 B2 12/2005 Lee
- 7,032,327 B1 4/2006 Tartaglia et al.
- 7,036,244 B1 5/2006 Finch



D527,513 S	9/2006	Della Valle	
D529,513 S *	10/2006	Aketa	D15/5
D531,790 S	11/2006	Wurzburg	
D534,341 S *	1/2007	Choi	D2/896
D542,513 S	5/2007	Amado et al.	
D556,990 S	12/2007	Cabados	
7,337,558 B2	3/2008	Terlizzi et al.	
D567,485 S	4/2008	James	
D570,488 S	6/2008	Kirksey et al.	
D571,084 S	6/2008	Comeau	
D571,548 S	6/2008	Seamans	
D571,989 S	7/2008	Siegal	
D580,640 S	11/2008	Wurzburg	
D582,638 S	12/2008	Ringholz	
7,496,982 B2	3/2009	Clark et al.	
7,506,459 B2	3/2009	Grisoni et al.	
D591,031 S	4/2009	Cofinco	
D593,295 S *	6/2009	Belley	D2/969
D593,297 S *	6/2009	Belley	D2/969
D593,307 S *	6/2009	Belley	D2/969
D599,093 S *	9/2009	Issler	D2/925
D604,030 S	11/2009	Wilson	
D607,194 S	1/2010	Zagula	
D610,332 S	2/2010	Raichle	
D610,785 S	3/2010	Smith	
D612,140 S	3/2010	Moon	
D612,141 S	3/2010	Moon	
7,694,435 B1	4/2010	Kiser et al.	
D615,737 S	5/2010	Feller	
7,735,244 B1	6/2010	Ameche	
7,743,530 B2	6/2010	Truelsen	
D618,891 S	7/2010	McClaskie	
7,757,408 B2	7/2010	McClaskie	
D630,829 S	1/2011	Weisner	
D632,881 S	2/2011	Rosenberg	
7,926,203 B2	4/2011	Wilkenfeld	
7,966,747 B2	6/2011	Wilkenfeld et al.	
D640,861 S	7/2011	Wilkenfeld	
8,020,320 B2	9/2011	Gillespie	
8,127,468 B2	3/2012	Morgan	
D657,543 S	4/2012	Bove	
D659,960 S	5/2012	Bizzo	
8,230,619 B2	7/2012	Salvatelli	
D664,755 S	8/2012	Gavrieli et al.	
D665,157 S	8/2012	Wu	
8,240,067 B2	8/2012	Sussmann	
8,245,420 B2	8/2012	Wilson	
D668,027 S	10/2012	Millieret	
D668,438 S	10/2012	Millieret	
D668,847 S *	10/2012	Gavrieli	D2/925
D668,848 S *	10/2012	Gavrieli	D2/925
D668,849 S	10/2012	Pozzi	
D668,850 S	10/2012	Pozzi	
D672,542 S	12/2012	Gray et al.	
D676,634 S *	2/2013	Gavrieli	D2/925
D681,927 S *	5/2013	Gavrieli	D2/925
D681,928 S *	5/2013	Gavrieli	D2/925
D681,929 S *	5/2013	Gavrieli	D2/925
D683,936 S *	6/2013	Gavrieli	D2/925
8,468,723 B2	6/2013	Malka-Harari	
D686,812 S	7/2013	Gavrieli et al.	
8,510,975 B2	8/2013	Krikelis	
D688,853 S *	9/2013	Gavrieli	D2/925
D688,854 S *	9/2013	Gavrieli	D2/925
D688,855 S *	9/2013	Gavrieli	D2/925
D689,270 S *	9/2013	Gavrieli	D2/925
D689,271 S *	9/2013	Gavrieli	D2/925
D689,272 S *	9/2013	Gavrieli	D2/925
D690,914 S *	10/2013	Gavrieli	D2/925
D690,915 S *	10/2013	Gavrieli	D2/925
D696,500 S	12/2013	Hunt	
D699,424 S	2/2014	Hamm	
8,661,714 B2	3/2014	Sussmann	
8,745,893 B2	6/2014	Gavrieli et al.	
8,973,287 B2	3/2015	Shibata	
2002/0078591 A1	6/2002	Morrone	
2002/0129519 A1	9/2002	Cahan	
2003/0070319 A1	4/2003	Minden	
2003/0121176 A1	7/2003	Baruck	

2004/0025377 A1	2/2004	Brannon
2005/0022421 A1	2/2005	Bruckner
2005/0115115 A1	6/2005	Lacey
2005/0217148 A1	10/2005	Connolly et al.
2005/0262734 A1	12/2005	Cheng
2006/0086005 A1	4/2006	Yerian
2006/0156576 A1	7/2006	Sloan
2007/0074424 A1	4/2007	Lin
2007/0204482 A1	9/2007	Gibson-Collinson
2007/0204483 A1	9/2007	Kirsch et al.
2008/0052964 A1	3/2008	Taylor
2008/0086912 A1	4/2008	Wilkenfeld
2008/0110059 A1	5/2008	Kuramoto et al.
2009/0019732 A1	1/2009	Sussmann
2009/0193685 A1	8/2009	Wilson
2009/0205222 A1	8/2009	McLinden
2009/0272009 A1	11/2009	Weisner et al.
2010/0011625 A1	1/2010	Percival
2010/0018080 A1	1/2010	Smith
2010/0050469 A1	3/2010	Chen
2010/0095557 A1	4/2010	Jarvis
2010/0115793 A1	5/2010	Kraisosky
2010/0122475 A1	5/2010	Purrington
2010/0146822 A1	6/2010	MacGregor
2010/0212186 A1	8/2010	Cheng
2010/0275462 A1	11/2010	Pucci
2010/0281713 A1	11/2010	Pantazes
2015/0089843 A1	4/2015	Gavrieli

FOREIGN PATENT DOCUMENTS

DE	20	2006	000230	U1	5/2007
GB			2443937	A	5/2008
GB			2 446 205	A	8/2008
TW			D119165		10/2007

OTHER PUBLICATIONS

Letter from TMI and Associates with Office Action, 2 pgs, dated Sep. 19, 2012 <http://www.payless.com/store/?&TLC=Womens&SLC=WomensNewArrivals&BLC=WomensNewArrivalsNewArrivals&With+Regular&ItemCode=60131&LotNumber=062642&Type=Adult&Popularity=637&Descriptvein>.

Taiwanese Office Action for TW 101300726, 10 pgs., dated Sep. 6, 2012.

"The Love List, Tiefs by Gavrieli—Foldable Ballet Flats," <http://thelovelist-carly.blogspot.com.au/2010/09/tiefs-by-gavrieli-foldable-ballet.html>, 3 pgs., Sep. 12, 2010.

"Tiefs by Gavrieli," <http://tiefs.com>, 1 pg., retrieved Mar. 13, 2013 from URL.

"Try It Mummy!, Tiefs by Gavrieli," <http://tryitmummy.blogspot.com.au/2010/12/tiefs-by-gavrieli.html>, 4 pgs., Dec. 9, 2010.

"Wearability—Real People Style, What came first, the City Flat or the Tiefs," <http://wearability.posterous.com/what-came-first-the-city-flat-or-the-tiefs>, 4 pgs., Aug. 29, 2010.

"The Ballet Flat . . . Reinvented; Ballet Flats . . . with a Bonus; Step Into Tiefs; Going Places? Take Tiefs," <http://web.archive.org/web/2010052004346/http://www.tiefs.com/>; 4 pgs., May 24, 2010.

"Tiefs—Comfortable designer flats you can fit in your purse and wear all day, every day," <http://web.archive.org/web/20110731151555/http://tiefs.com/>; 6 pgs., Jul. 31, 2011.

"58th Annual Emmy Awards," http://spoonsforksandfashion.blogspot.com/2006_08_01_archive.html, depicting Nine West flats, 11 pgs., Aug. 1, 2006.

Pictures of Nine West flats sold in 2006, 3 pgs.

"I Love a Good Ballet Flat!," <http://dressupfiles.com/i-love-a-good-ballet-flat>, depicting Sue London flats, 4 pgs., Sep. 3, 2010.

Pictures of Sue London flats sold in 2010, 2 pgs.

"Miss Cathie Reviews: The Yosi Samra Foldable Ballet Flat . . .," <http://www.misscathie.com/2010/01/miss-cathie-reviews-the-yosi-samra-foldable-ballet-flat/>, depicting Yosi Samra flats, 7 pgs., Jan. 2010.

Pictures of Yosi Samra flats sold in 2010, 2 pgs.
 "Goodbye two thousand ten," http://emmajoyrussell.blogspot.com/2010_12_01_archive.html, depicting Gap flats, 39 pgs., Dec. 1, 2010.

Pictures of Gap flats available for sale in 2010, 9 pgs.
 "Our newest design of folding flats—Pink," <https://fitinclouds.wordpress.com/2010/05/16/our-newest-design-of-folding-flats-pink/>, depicting Fit in Clouds flats, 1 pg., May 16, 2010.
 "Fit in Clouds Satin Folding Shoes," <http://www.goodhousekeeping.com/product-reviews/clothing/best-ballet-flats/fit-in-clouds-satin-foldable-ballet-flats>, depicting Fit in Clouds flats, 1 pg., Aug. 2013.

Pictures of Fit in Clouds flats available for sale in 2011, 4 pgs.
 "Shoes for Standing," <https://truthinshoes.wordpress.com/2008/07/>, depicting Sam & Libby flats, 2 pgs., Jul. 31, 2008.
 "Target Designer Collaboration: Announcing Sam & Libby Shoes for Target," <http://www.therecessionista.com/2012/11/target-designer-collaboration-announcing-sam-libby-shoes-for-target.html>, depicting Sam & Libby flats, 1 pg., Nov. 26, 2012.

Pictures of Sam & Libby flats available for purchase in 2011, 5 pgs.
 "Save your soles with Citisoles ballet flats," <http://glamazondiaries.com/2009/07/save-your-soles-with-citisoles-ballet-flats>, depicting Citisoles flats, 3 pgs., Jul. 2009.

Pictures of Citisoles flats available for purchase in 2009, 3 pgs.
 "#16 Corso Como Delicious Pumps Review and Giveaway!," <http://www.mommatoldmeblog.com/2011/01/16-corso-como-delicious-pumps-review.html>, depicting Corso Como flats, 8 pgs., Jan. 16, 2011.

Pictures of Corso Como flats available for sale in 2011, 3 pgs.
 "Jil-sander-navy-lead-ballet-flats-product . . .," www.ebay.com, depicting Jil Sander flats, 4 pgs., Nov. 2013.

Pictures of Jil Sander flats available for sale in 2011, 3 pgs.
 "Spare Soles: Shoes That Roll-up & Fold-up," <http://herpackinglist.com/2011/01/spare-soles-shoes/>, depicting Spare Soles flats, 2 pgs., Jan. 2011.

Pictures of Spare Soles flats available for sale in 2011, 5 pgs.
 The Original Rollable, Foldable ballet flats with matching wristlet—Spare Soles, <http://herpackinglist.com/2011/01/spare-soles-shoes/>, depicting Roll-Upz Spare Soles flats, 2 pgs., Jan. 2011.

Pictures of Roll-Upz by Spare Soles flats available for sale in 2011, 6 pgs.
 "The Cutest Blog, Preppy 50 and Loving Lilly, Ballet Flat Delight," <http://preppy50andlovinglilly.blogspot.com/2011/02/ballet-flat-delight.html>, depicting Henri Bendel flats, 13 pgs., Feb. 19, 2011.

Pictures of Henri Bendel flats available for sale in 2011, 4 pgs.
 "Mumsnet by parents for parents," http://www.mumsnet.com/Talk/style_and_beauty/a1612000-Anyone-tried-Redfoot-Flatmates-foldable-ballet-pumps, depicting Redfoot Flatmates flats, 1 pg., Nov. 14, 2012.

Pictures of Redfoot Flatmates flats available for sale in 2011, 6 pgs.
 "Amazon.com: Customer Reviews: Bloch London Women's Lux Ballet Flat," <http://www.amazon.com/Bloch-London-Womens-Ballet-Flat/product-reviews/B004LWP7YW>, depicting Bloch London flats, 4 pgs., Dec. 11, 2011.

Pictures of Bloch London flats offered for sale in 2011, 11 pgs.
 "h&m foldable leopard print flat," <http://845shops.wordpress.com/2011/06/16/flats-for-7-bucks/shoe1/>, depicting h&m flats, 3 pgs., Jun. 16, 2011.

Pictures of h&m foldable flats offered for sale in 2011, 4 pgs.
 "Seekyt—Juicy Couture Ballet Flats—Are They Worth The Money?," <http://seekyt.com/juicy-couture-ballet-flats-are-they-worth-the-money/>, 14 pgs., Jun. 3, 2011.

Pictures of Juicy Couture flats offered for sale in 2011, 3 pgs.
 "Purse Flats," <http://purseflats.wordpress.com>, depicting Purse Flats by Erica Wilson, 3 pgs., Jul. 12, 2012.

Pictures of Purse Flats by Erica Wilson offered for sale in 2011, 6 pgs.
 "Splash Page," <http://web.archive.org/web/20100524004346/http://www.tieks.com/>, 4 pgs., May 24, 2010.
 "Tieks—Comfortable, designer flats you can fit in your purse and wear all day, every day," <http://web.archive.org/web/20110731151555/http://tieks.com>, 6 pgs., Jul. 31, 2011.

"Tieks by Gavrieli—Comfortable, designer flats you can fit in your purse and wear all day . . .," <http://web.archive.org/web/20110202210649/http://www.tieks.com/>, 8 pgs., Feb. 2, 2011.
 "Carolina M. M. Gonzalez > Tieks by Gavrieli," http://m2.facebook.com/Tieks?v=timeline&filter=2&timecutoff=1406427986&page=17§ionLoadingID=m_timeline_loading_div_1293868799_1262332800_8_17&timeend=1293868799×tart=1262332800&tm=AQDOvqhWQPN_Nbwm&refid=17, 1 pg., Jan. 26, 2010.
 "The Shoes Oprah Would Wear to Work (if She Had to Walk)," <http://www.inc.com/30under30/christina-desmarais/kfir-gavrieli-and-eram-gavrieli-founders-of-tieks.html>, 8 pgs., Jul. 2, 2012.
 "Tieks by Gavrieli," http://m2.facebook.com/Tieks?v=timeline&filter=2&timecutoff=1406427986&page=14§ionLoadingID=m_timeline_loading_div_1293868799_1262332800_8_14&timeend=1293868799×tart=1262332800&tm=AQDOvqhWQPN_Nbwm&refid=17, 4 pgs., Jan. 26, 2010.
 "Mighty Life List, Sensible Shoes," <http://mightygirl.com/2010/08/24/sensible-shoes/>, 10 pgs., Aug. 24, 2010.
 "Find! Tieks: Fab & sexy flats for fall," <http://thefabmom.com/2013/08/29/find-tieks-fab-sexy-flats-for-fall/>, 3 pgs., Aug. 29, 2013.
 "Step into Tieks," <http://sliceofpink.typepad.com/blog/2010/09/tieks-1.html>, 5 pgs., Sep. 22, 2010.
 "In Need of Flat-Soled Shoes," <http://sliceofpink.typepad.com/blog/2010/09/tieks-1.html>, 7 pgs., Oct. 3, 2010.
 "Say Hello to the Flat Shoes You Need for Fall . . . All 88 of Them!," Picture of Adam Tucker Shoe/Slipper, <https://www.facebook.com/search/top?q=adam%20shoes%20slipper>, last accessed Oct. 28, 2016, dated Oct. 1, 2013, 1 page.
 Picture of Adam Tucker Rainbow Shoes, <https://www.facebook.com/search/top?q=adam%20shoes%20rainbow>, last accessed Oct. 28, 2016, dated Aug. 14, 2013, 1 page.

* cited by examiner

Primary Examiner — Dominic Simone
 (74) Attorney, Agent, or Firm — Morgan, Lewis & Bockius LLP

(57)

CLAIM

The ornamental design for a dual-sole shoe with color outpatch sole, as shown and described.

DESCRIPTION

The file of this patent contains at least one drawing executed in color. Copies of this patent with color drawing(s) will be provided by the Office upon request and payment of the necessary fee.

FIG. 1 is a perspective view of an embodiment of our new design of a dual-sole shoe with color outpatch sole;
 FIG. 2 is a first side view of the design of FIG. 1;
 FIG. 3 is a second side view of the design of FIG. 1;
 FIG. 4 is a top view of the design of FIG. 1;
 FIG. 5 is a bottom view of the design of FIG. 1;
 FIG. 6 is a front view of the design of FIG. 1;
 FIG. 7 is a back view of the design of FIG. 1;
 FIG. 8 is a perspective view of another embodiment of our new design of a dual-sole shoe with color outpatch sole, where the color portions are indicated using the USPTO convention of dashed vertical lines for violet or purple;
 FIG. 9 is a first side view of the design of FIG. 8;
 FIG. 10 is a second side view of the design of FIG. 8;
 FIG. 11 is a top view of the design of FIG. 8;
 FIG. 12 is a bottom view of the design of FIG. 8;
 FIG. 13 is a front view of the design of FIG. 8;
 FIG. 14 is a back view of the design of FIG. 8;

FIG. 15 is a perspective view of yet another embodiment of our new design of a dual-sole shoe with color outpatch sole; FIG. 16 is a first side view of the design of FIG. 15; FIG. 17 is a second side view of the design of FIG. 15; FIG. 18 is a top view of the design of FIG. 15; FIG. 19 is a bottom view of the design of FIG. 15; FIG. 20 is a front view of the design of FIG. 15; FIG. 21 is a back view of the design of FIG. 15; FIG. 22 is a perspective view of yet another embodiment of our new design of a dual-sole shoe with color outpatch sole, where the color portions are indicated using the USPTO convention of solid diagonal lines extending from the upper left to the lower right for green; FIG. 23 is a first side view of the design of FIG. 22; FIG. 24 is a second side view of the design of FIG. 22; FIG. 25 is a top view of the design of FIG. 22; FIG. 26 is a bottom view of the design of FIG. 22; FIG. 27 is a front view of the design of FIG. 22; FIG. 28 is a back view of the design of FIG. 22; FIG. 29 is a perspective view of yet another embodiment of our new design of a dual-sole shoe with color outpatch sole; FIG. 30 is a first side view of the design of FIG. 29; FIG. 31 is a second side view of the design of FIG. 29; FIG. 32 is a top view of the design of FIG. 29; FIG. 33 is a bottom view of the design of FIG. 29; FIG. 34 is a front view of the design of FIG. 29; FIG. 35 is a back view of the design of FIG. 29; FIG. 36 is a perspective view of yet another embodiment of our new design of a dual-sole shoe with color outpatch sole, where the color portions are indicated using the USPTO convention of solid vertical lines for red or pink; FIG. 37 is a first side view of the design of FIG. 36; FIG. 38 is a second side view of the design of FIG. 36; FIG. 39 is a top view of the design of FIG. 36; FIG. 40 is a bottom view of the design of FIG. 36; FIG. 41 is a front view of the design of FIG. 36; FIG. 42 is a back view of the design of FIG. 36; FIG. 43 is a perspective view of yet another embodiment of our new design of a dual-sole shoe with color outpatch sole; FIG. 44 is a first side view of the design of FIG. 43; FIG. 45 is a second side view of the design of FIG. 43; FIG. 46 is a top view of the design of FIG. 43; FIG. 47 is a bottom view of the design of FIG. 43; FIG. 48 is a front view of the design of FIG. 43; FIG. 49 is a back view of the design of FIG. 43; FIG. 50 is a perspective view of yet another embodiment of our new design of a dual-sole shoe with color outpatch sole, where the color portions are indicated using the USPTO convention of horizontal lines for blue; FIG. 51 is a first side view of the design of FIG. 50; FIG. 52 is a second side view of the design of FIG. 50; FIG. 53 is a top view of the design of FIG. 50; FIG. 54 is a bottom view of the design of FIG. 50; FIG. 55 is a front view of the design of FIG. 50;

FIG. 56 is a back view of the design of FIG. 50; FIG. 57 is a perspective view of yet another embodiment of our new design of a dual-sole shoe with color outpatch sole, where the color portions are indicated using a cross-hatched pattern to indicate the blue color Pantone 7466C; FIG. 58 is a first side view of the design of FIG. 57; FIG. 59 is a second side view of the design of FIG. 57; FIG. 60 is a top view of the design of FIG. 57; FIG. 61 is a bottom view of the design of FIG. 57; FIG. 62 is a front view of the design of FIG. 57; FIG. 63 is a back view of the design of FIG. 57; FIG. 64 is a perspective view of yet another embodiment of our new design of a dual-sole shoe with color outpatch sole; FIG. 65 is a first side view of the design of FIG. 64; FIG. 66 is a second side view of the design of FIG. 64; FIG. 67 is a top view of the design of FIG. 64; FIG. 68 is a bottom view of the design of FIG. 64; FIG. 69 is a front view of the design of FIG. 64; FIG. 70 is a back view of the design of FIG. 64; FIG. 71 is a perspective view of yet another embodiment of our new design of a dual-sole shoe with color outpatch sole, where the color portions are indicated using the USPTO convention of diagonal cross-hatched lines for orange; FIG. 72 is a first side view of the design of FIG. 71; FIG. 73 is a second side view of the design of FIG. 71; FIG. 74 is a top view of the design of FIG. 71; FIG. 75 is a bottom view of the design of FIG. 71; FIG. 76 is a front view of the design of FIG. 71; FIG. 77 is a back view of the design of FIG. 71; FIG. 78 is a perspective view of yet another embodiment of our new design of a dual-sole shoe with color outpatch sole; FIG. 79 is a first side view of the design of FIG. 78; FIG. 80 is a second side view of the design of FIG. 78; FIG. 81 is a top view of the design of FIG. 78; FIG. 82 is a bottom view of the design of FIG. 78; FIG. 83 is a front view of the design of FIG. 78; FIG. 84 is a back view of the design of FIG. 78; FIG. 85 is a perspective view of yet another embodiment of our new design of a dual-sole shoe with color outpatch sole, where the color portions are indicated using the USPTO convention of vertical and horizontal cross-hatched lines for yellow or gold; FIG. 86 is a first side view of the design of FIG. 85; FIG. 87 is a second side view of the design of FIG. 85; FIG. 88 is a top view of the design of FIG. 85; FIG. 89 is a bottom view of the design of FIG. 85; FIG. 90 is a front view of the design of FIG. 85; and, FIG. 91 is a back view of the design of FIG. 85. The broken lines illustrating the half moon patch and the heel stripe in the above described Figures are for illustrative purposes only and form no part of the claimed design.

**1 Claim, 78 Drawing Sheets
(30 of 78 Drawing Sheet(s) Filed in Color)**

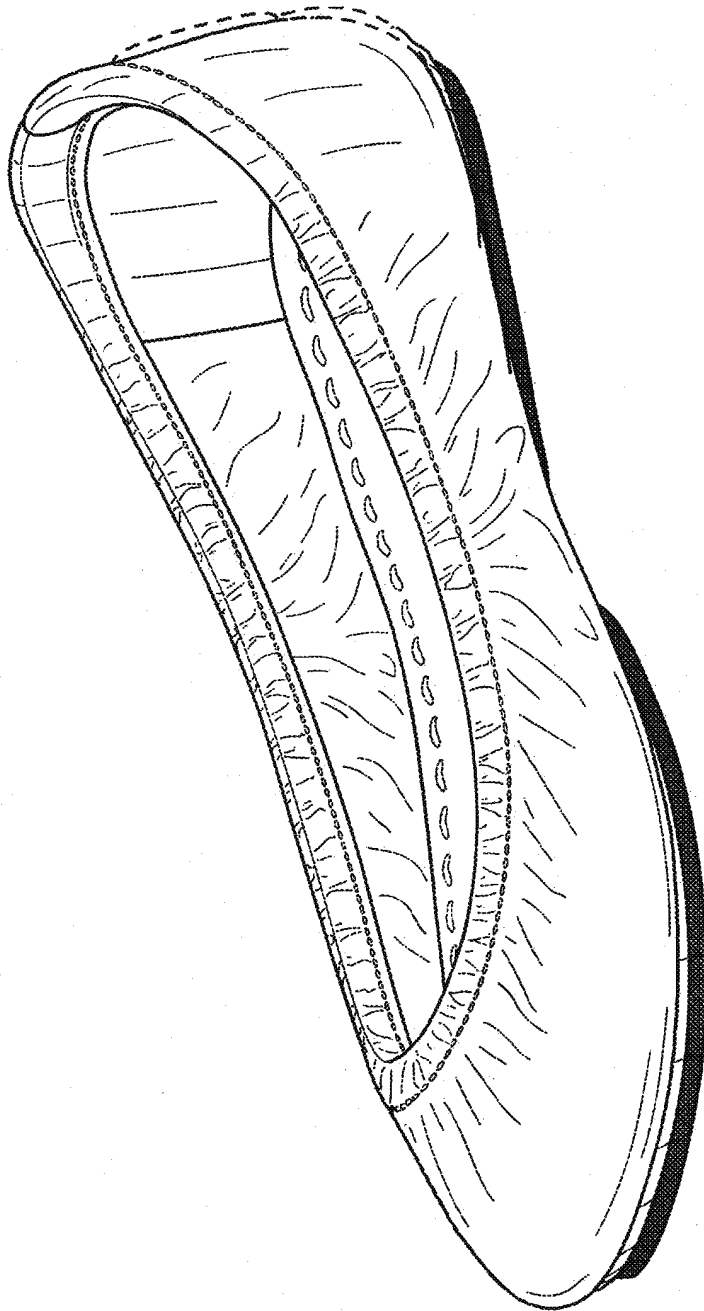


FIG. 1

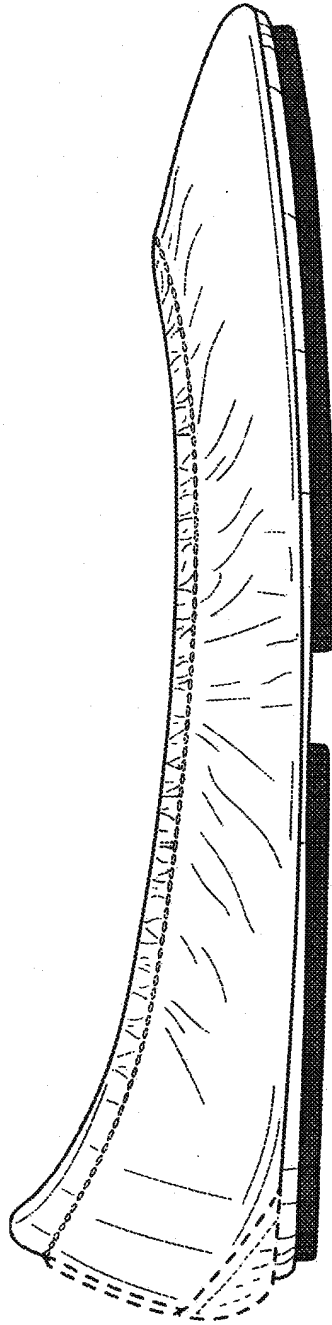


FIG. 2

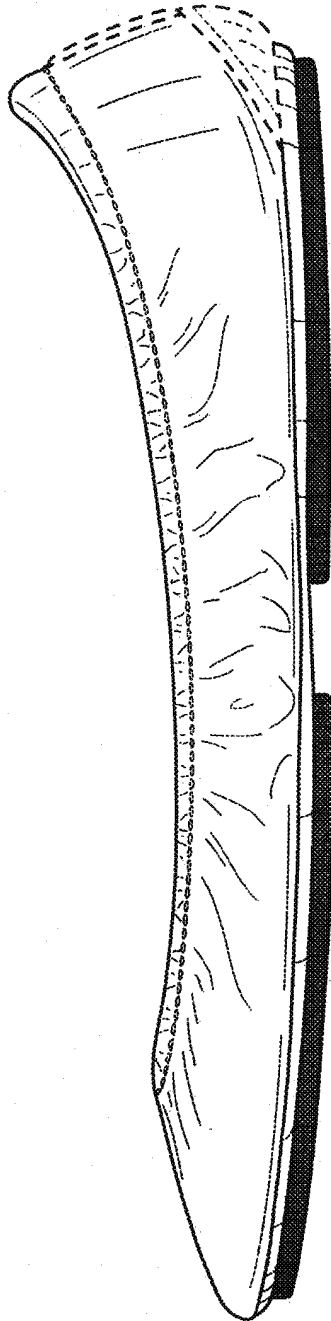


FIG. 3

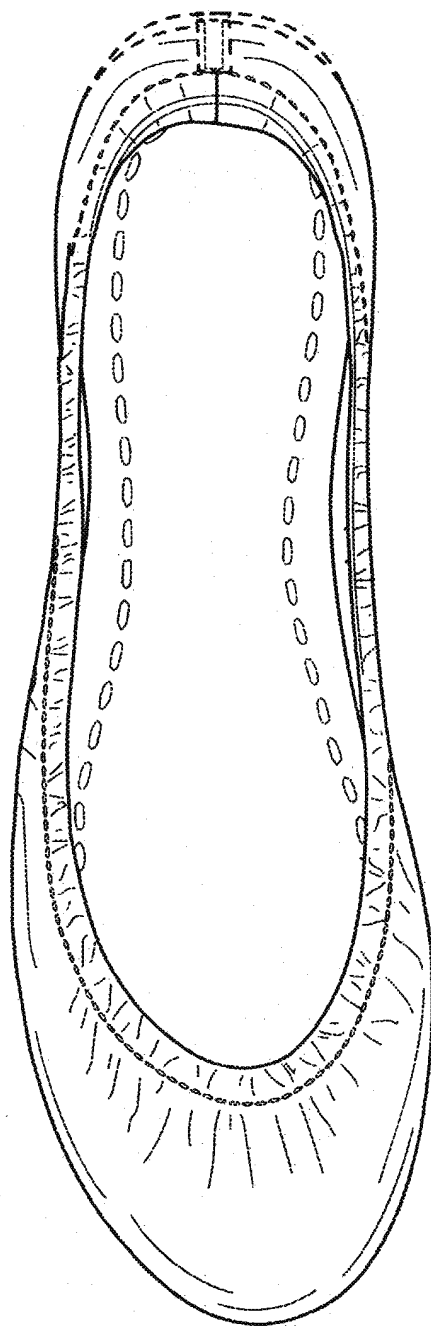


FIG. 4

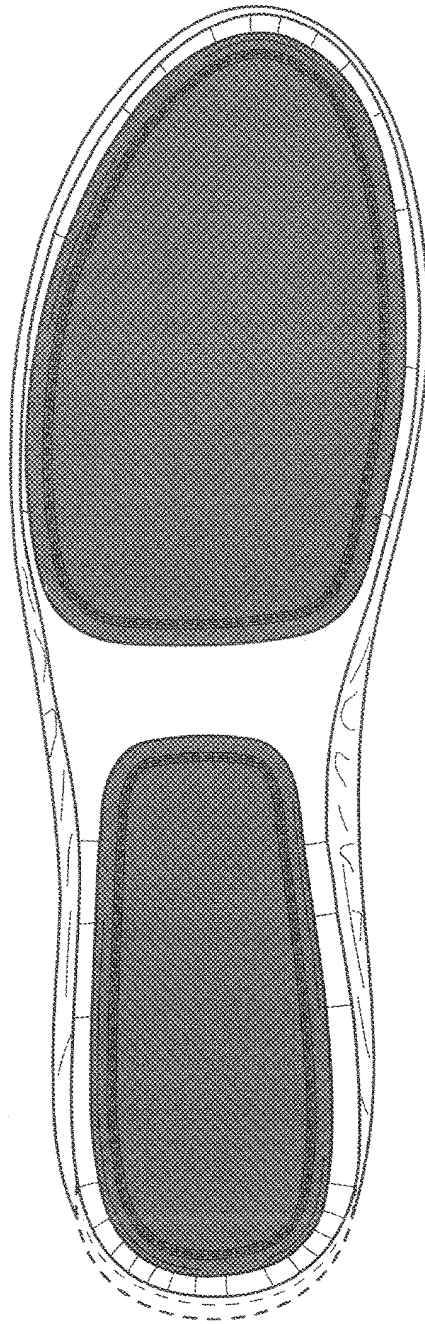


FIG. 5

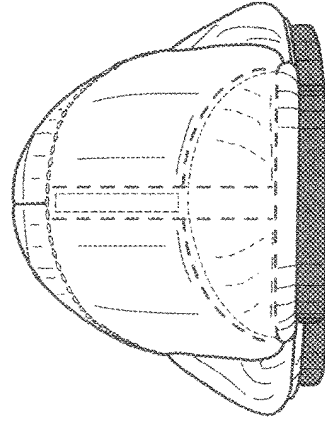


FIG. 6

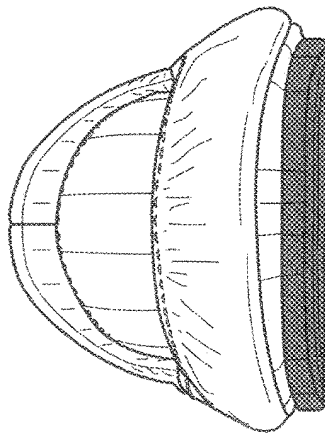


FIG. 7

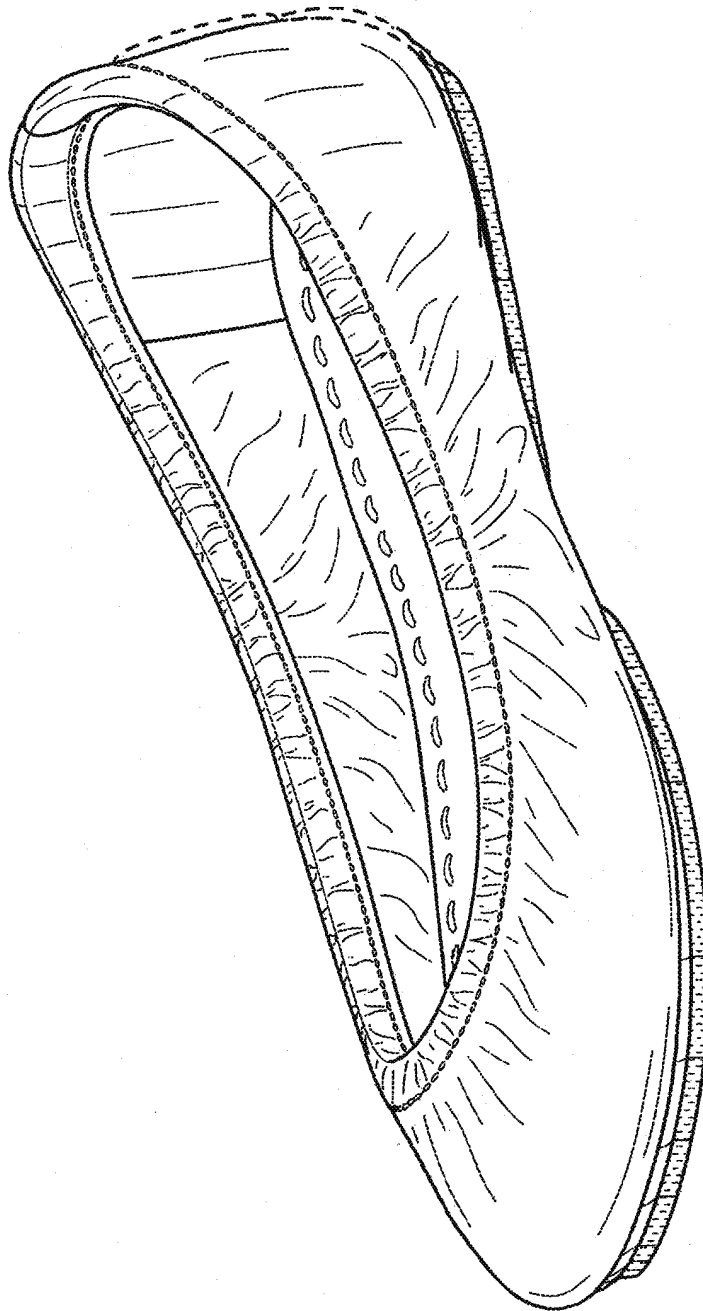


FIG. 8

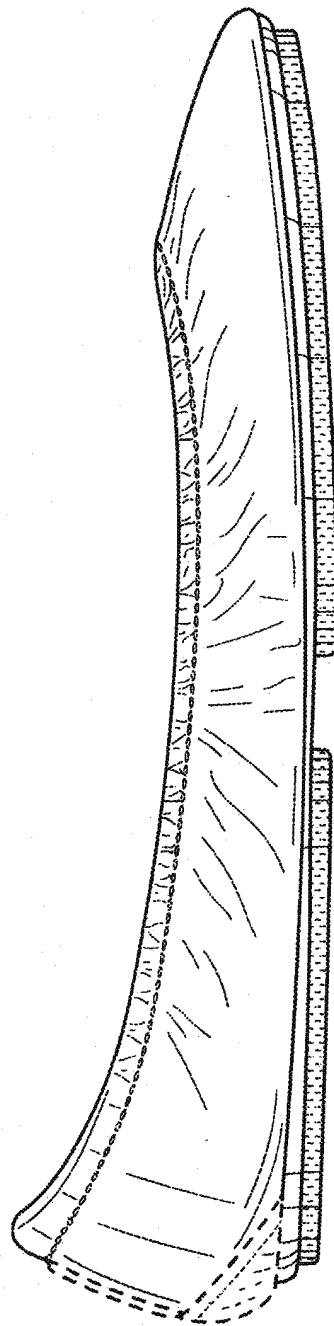


FIG. 9

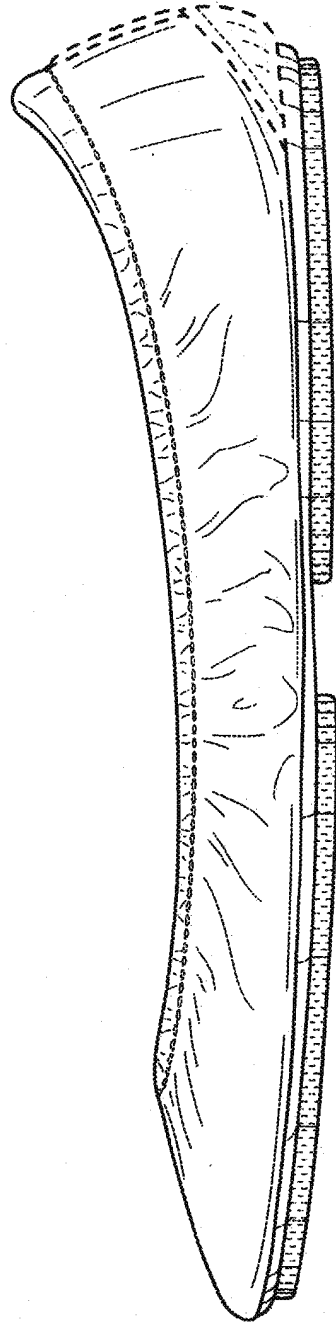


FIG. 10

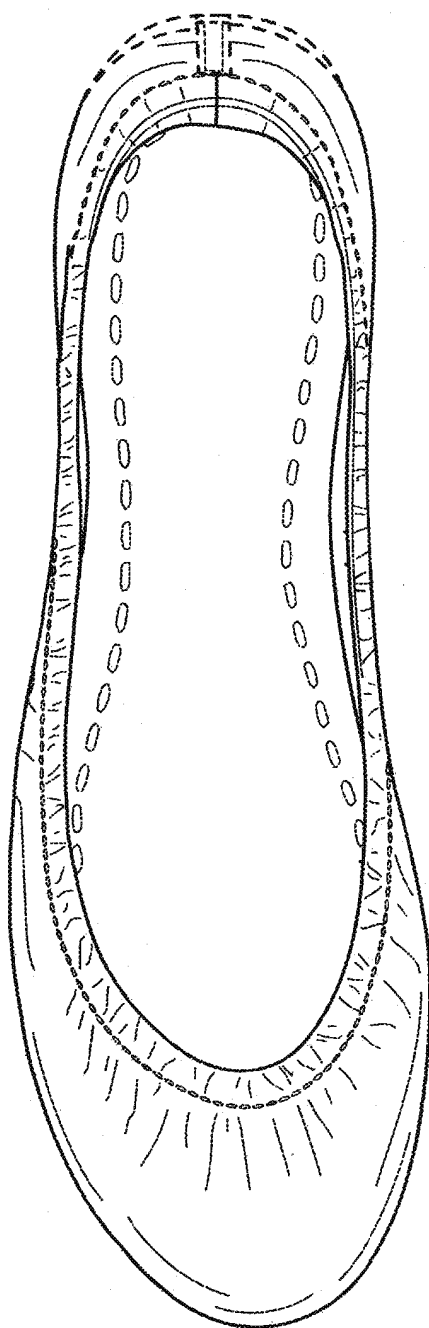


FIG. 11

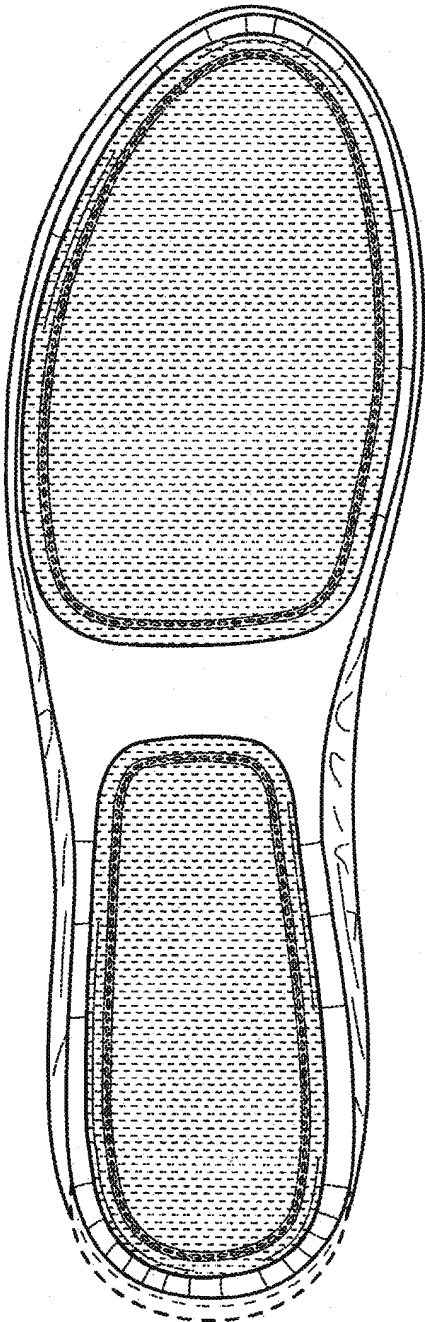


FIG. 12

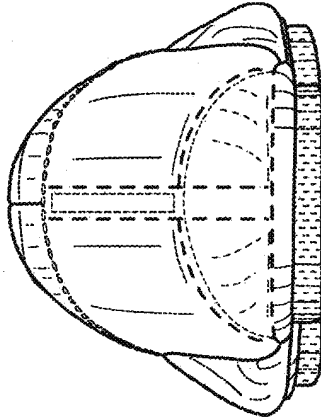


FIG. 14

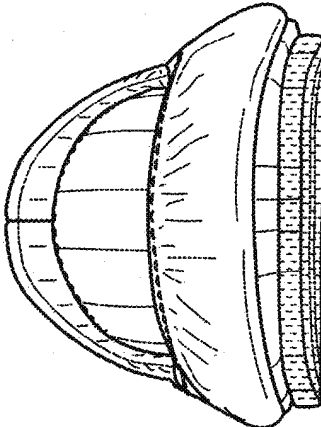


FIG. 13

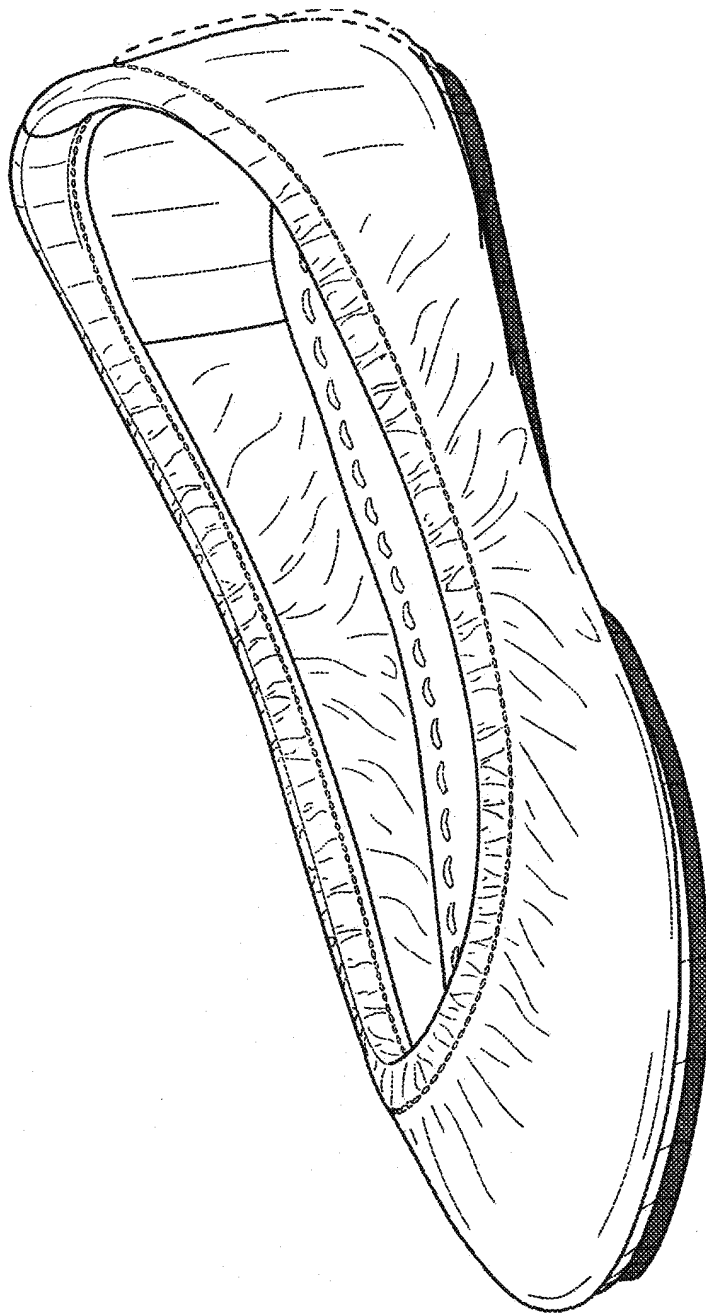


FIG. 15

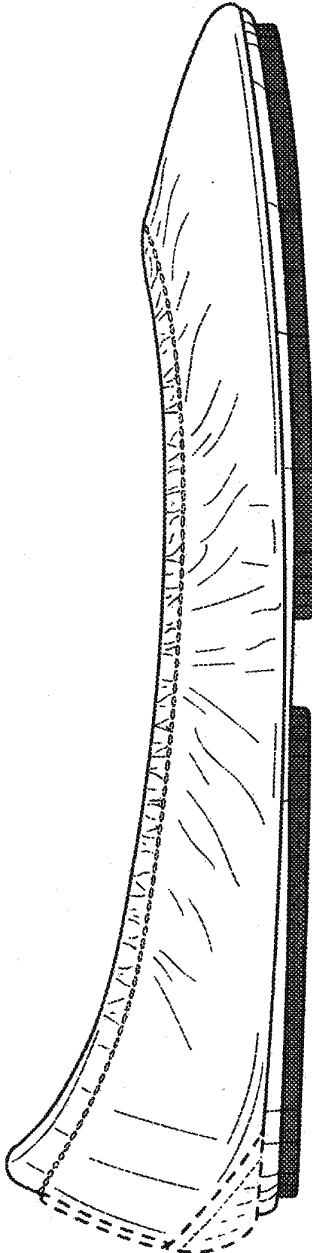


FIG. 16

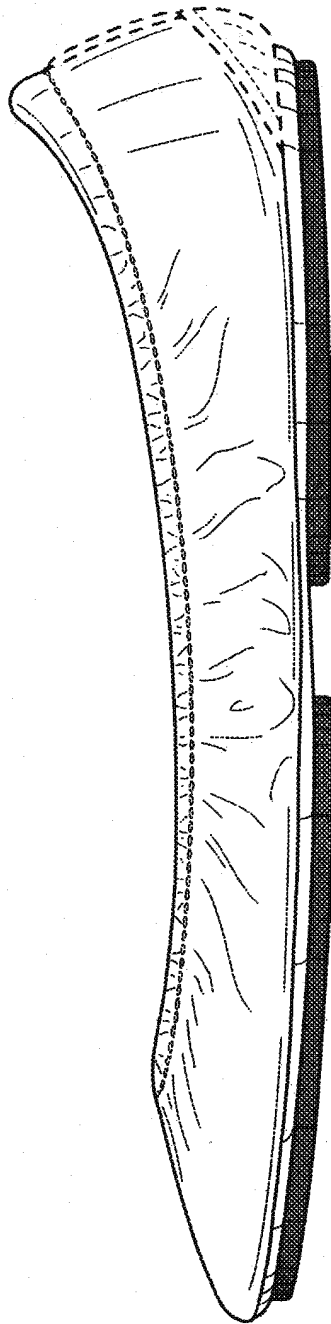


FIG. 17

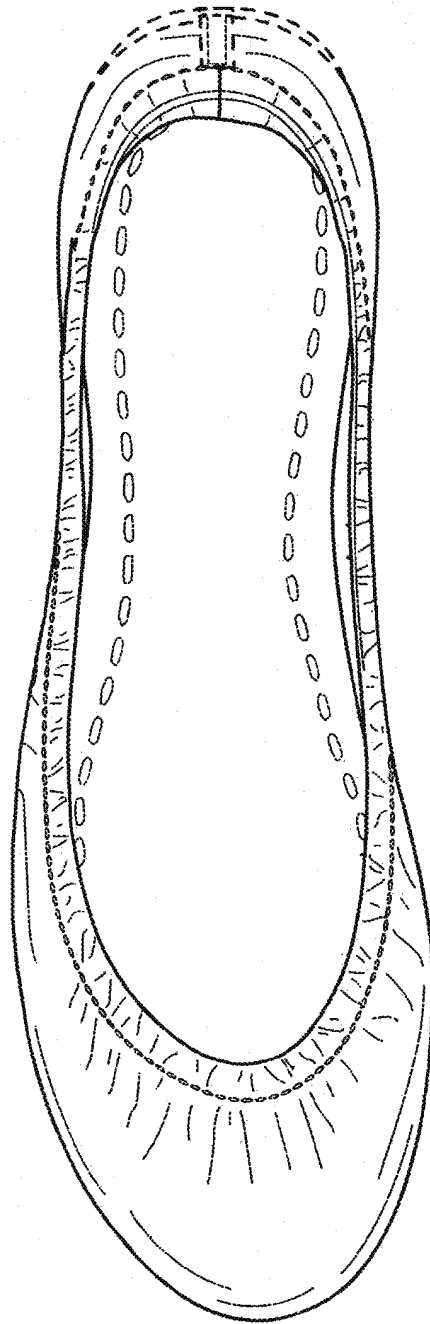


FIG. 18

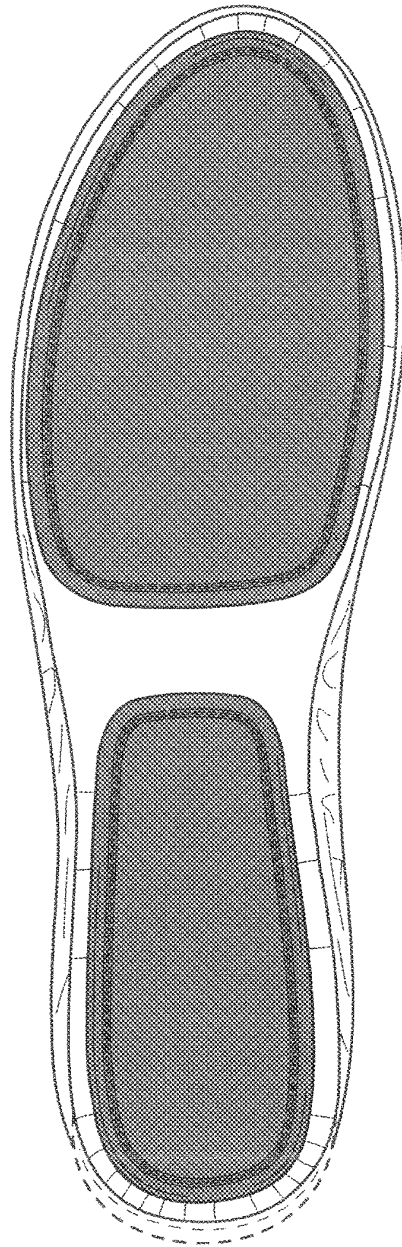


FIG. 19

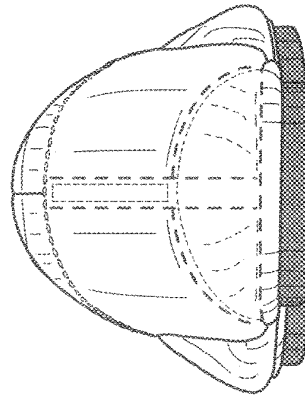


FIG. 21

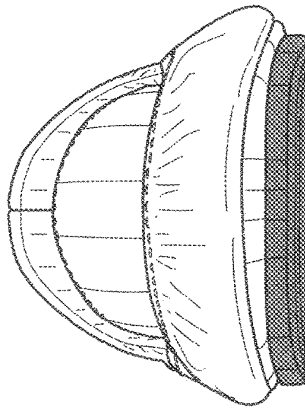


FIG. 20

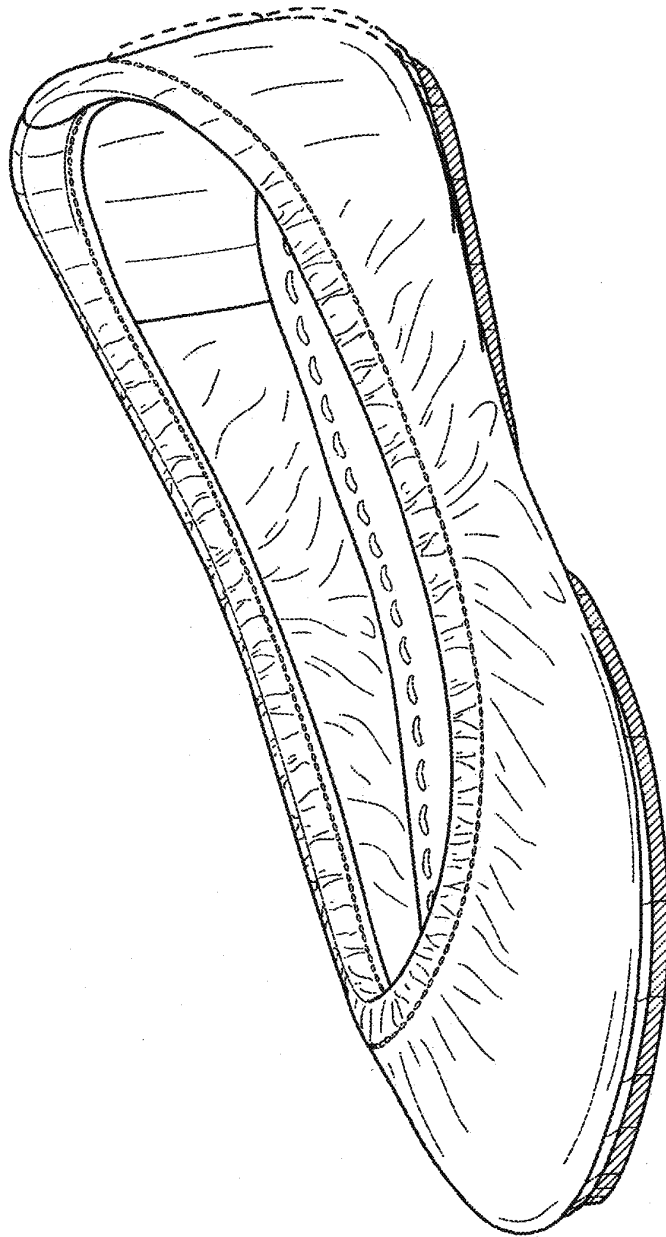


FIG. 22

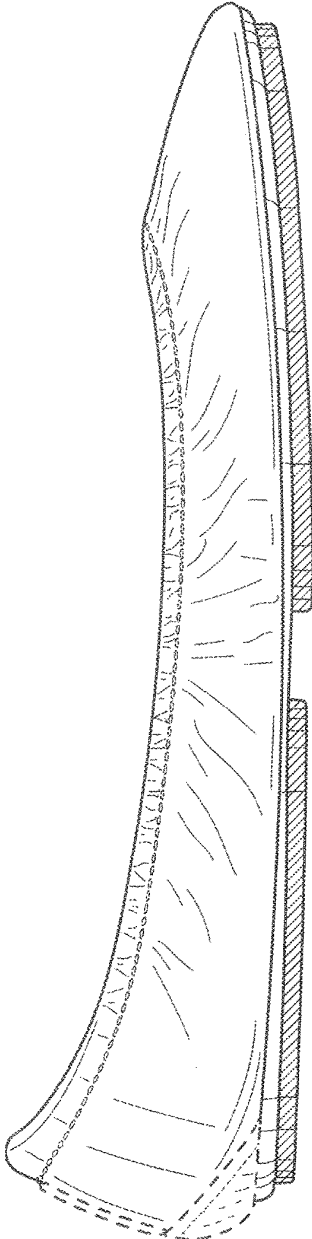


FIG. 23

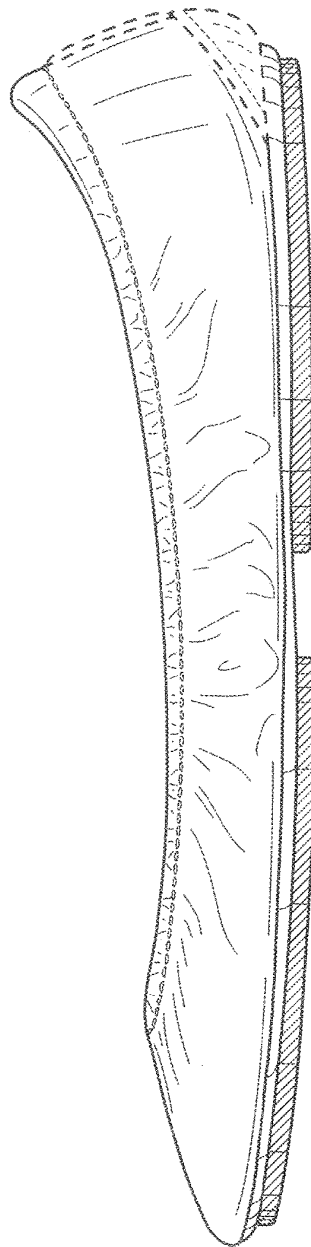


FIG. 24

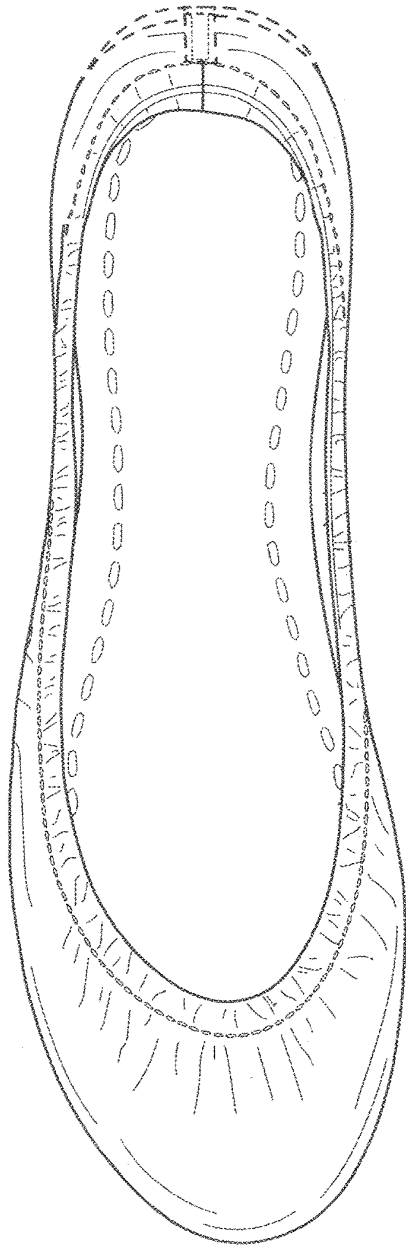


FIG. 25

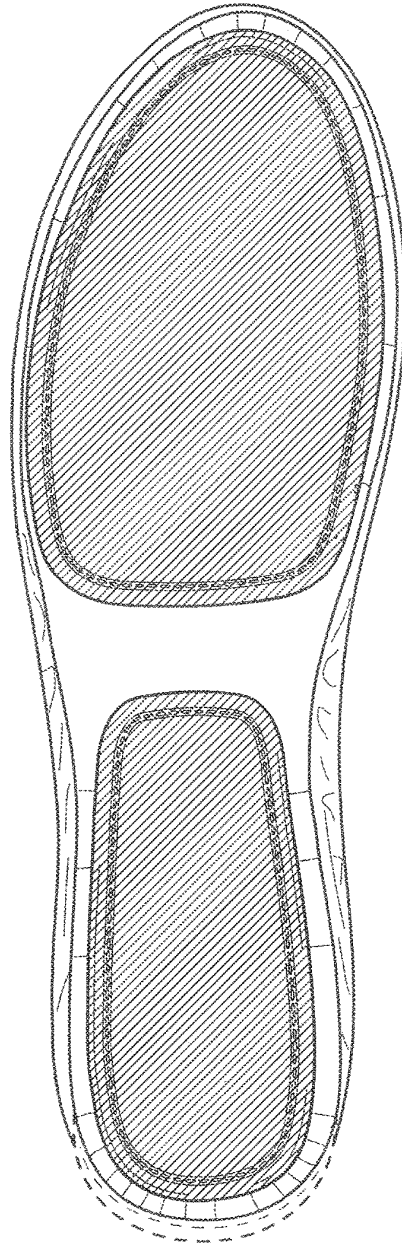


FIG. 26

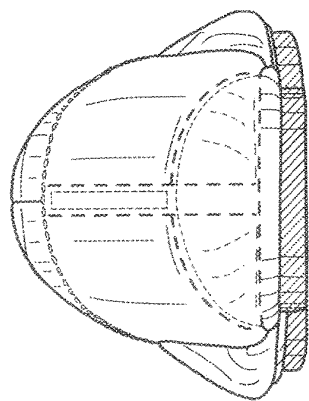


FIG. 28

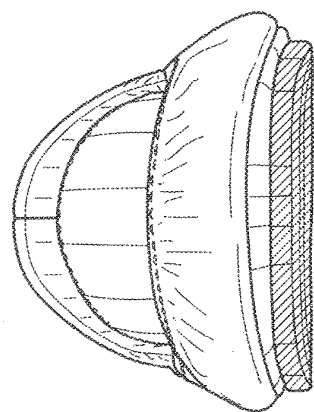


FIG. 27

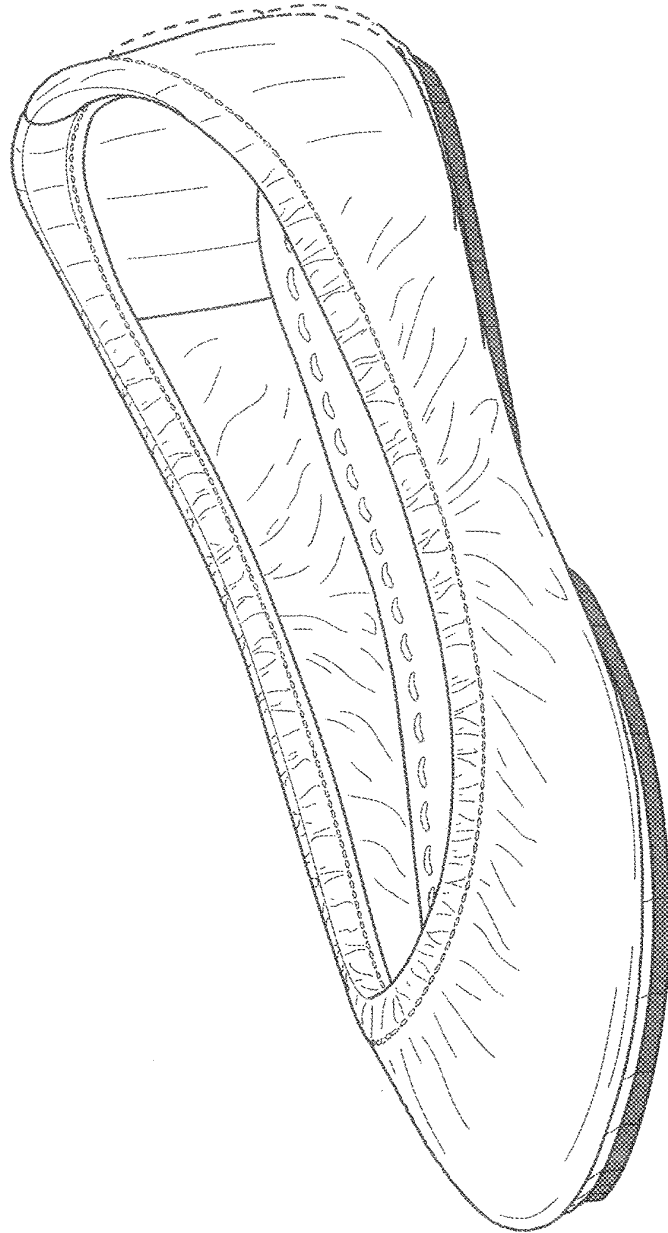


FIG. 29

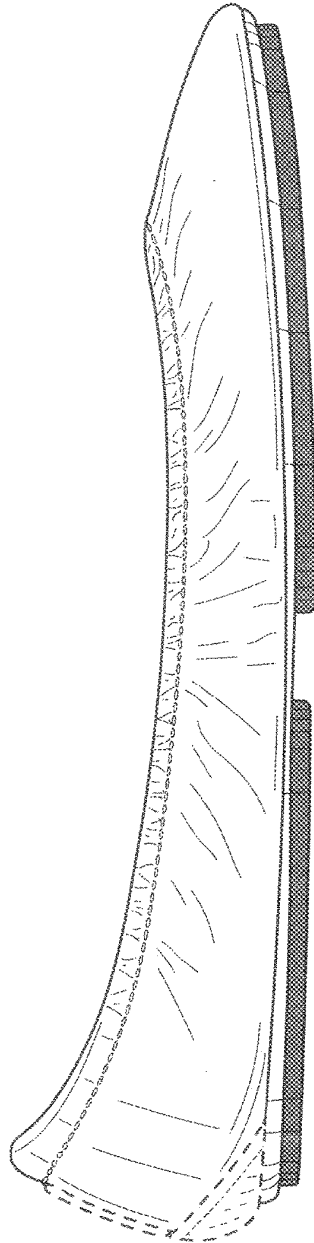


FIG.30

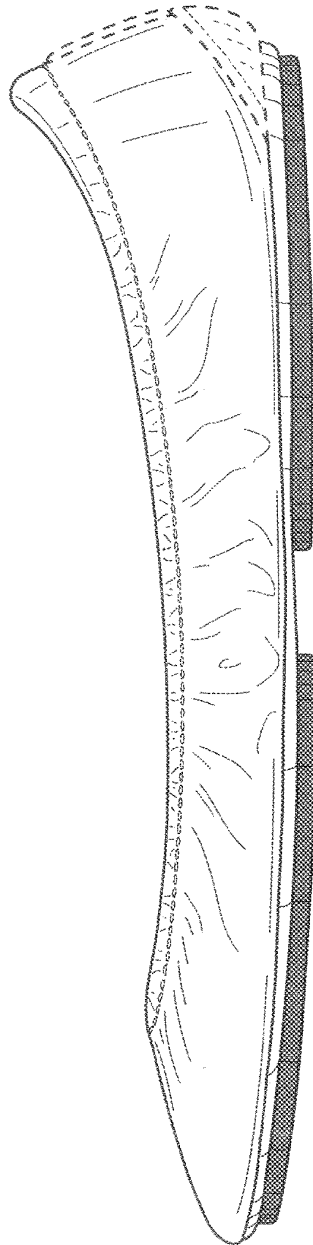


FIG. 31

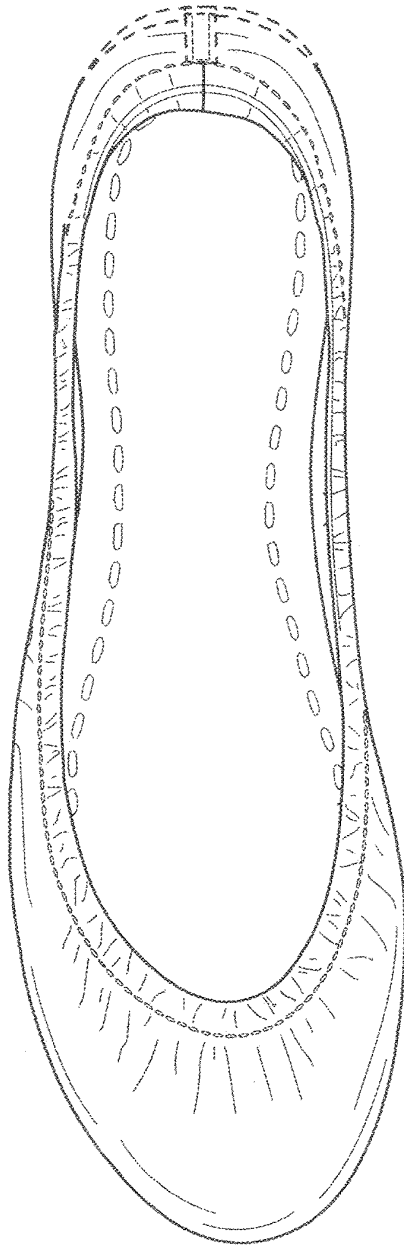


FIG. 32

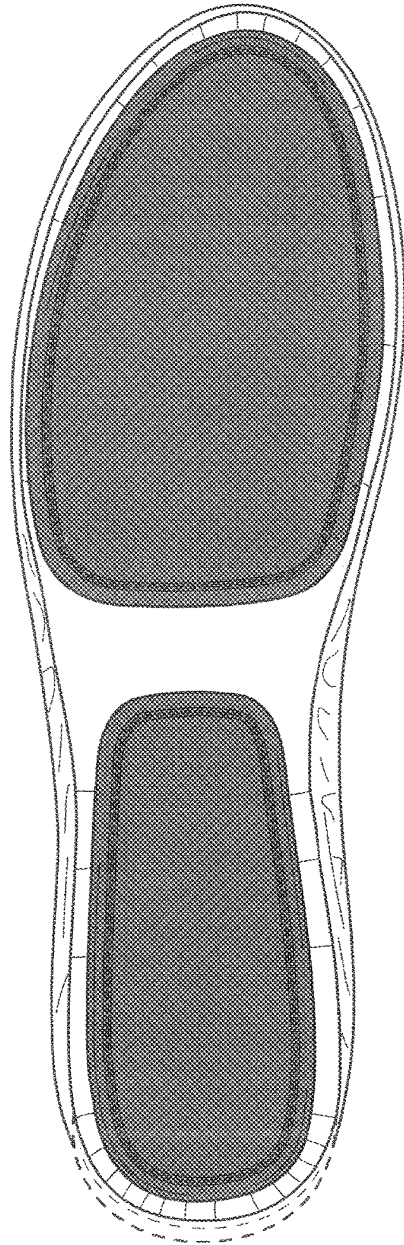


FIG. 33

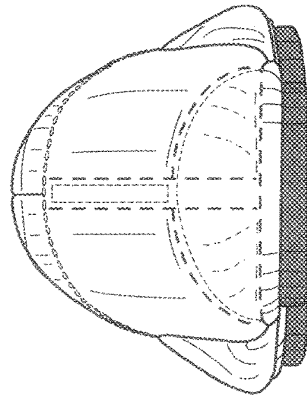


FIG. 35

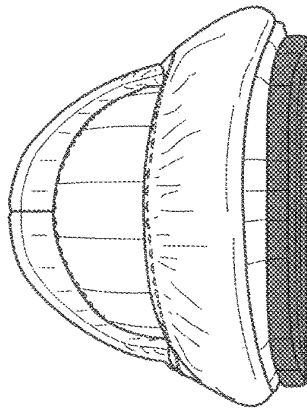


FIG. 34

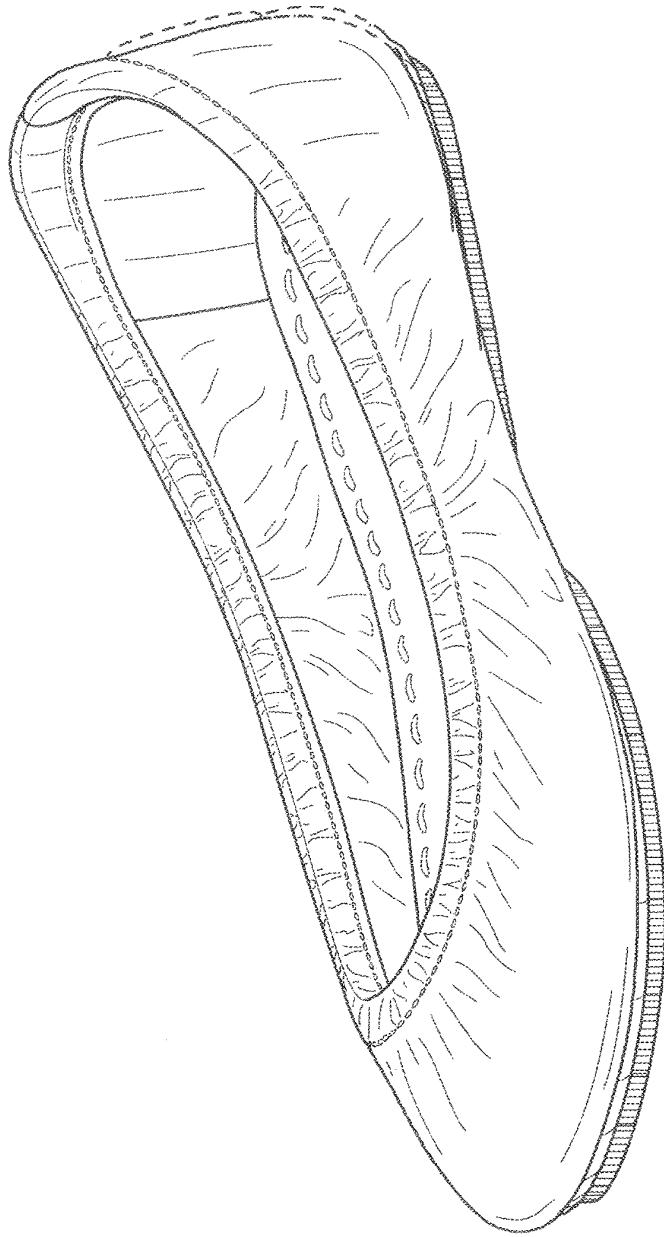


FIG. 36

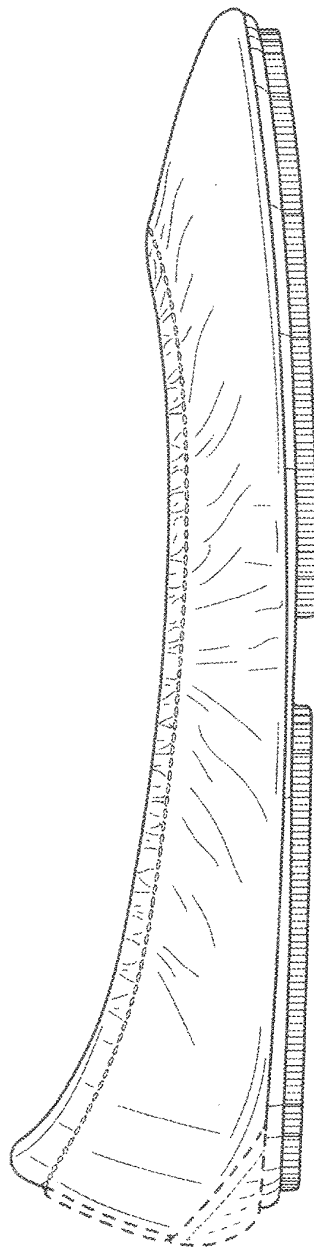


FIG. 37

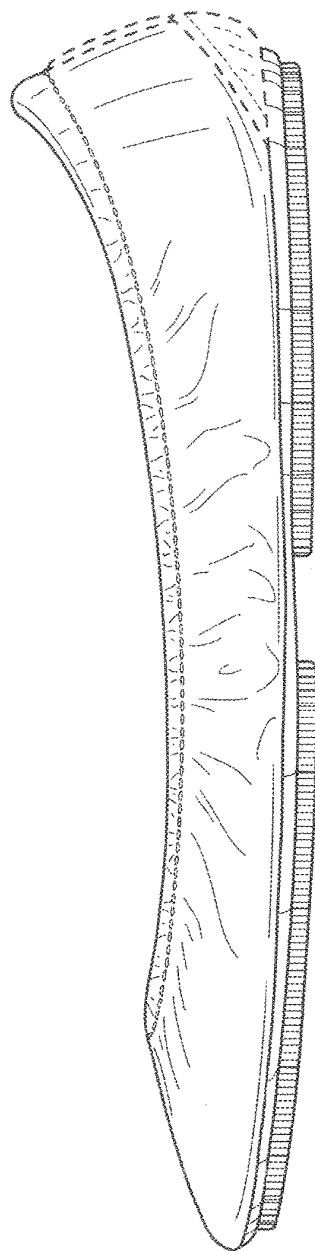


FIG. 38

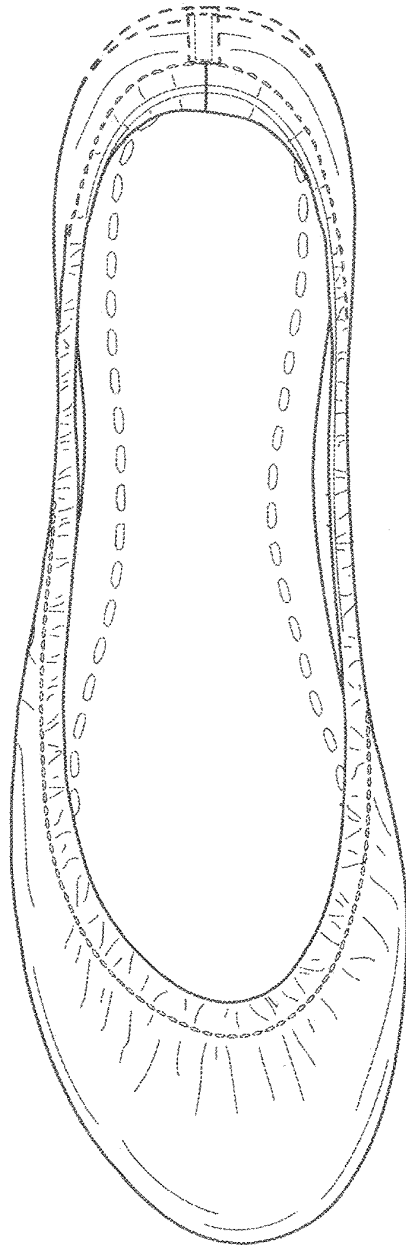


FIG. 39

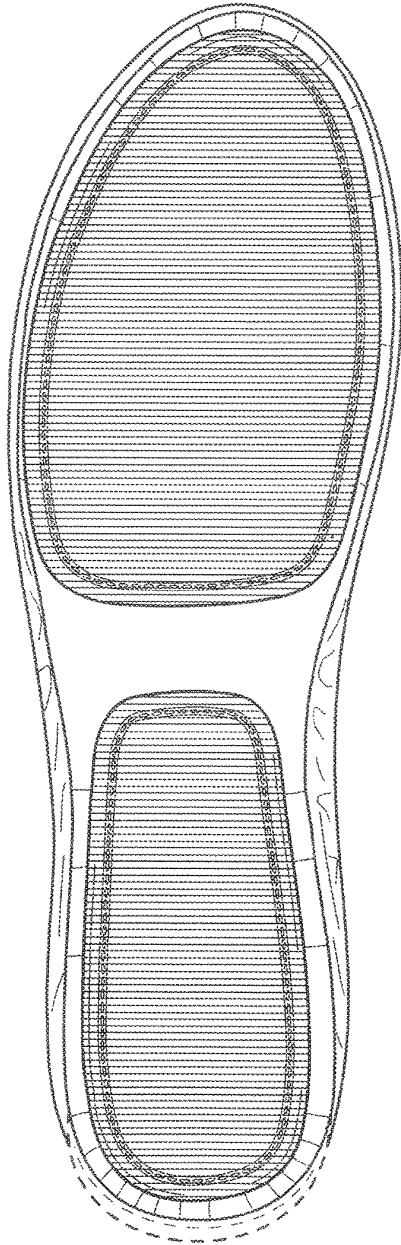


FIG. 40

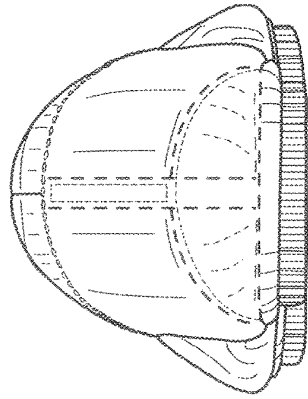


FIG. 42

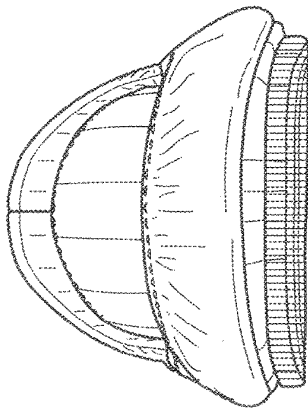


FIG. 41

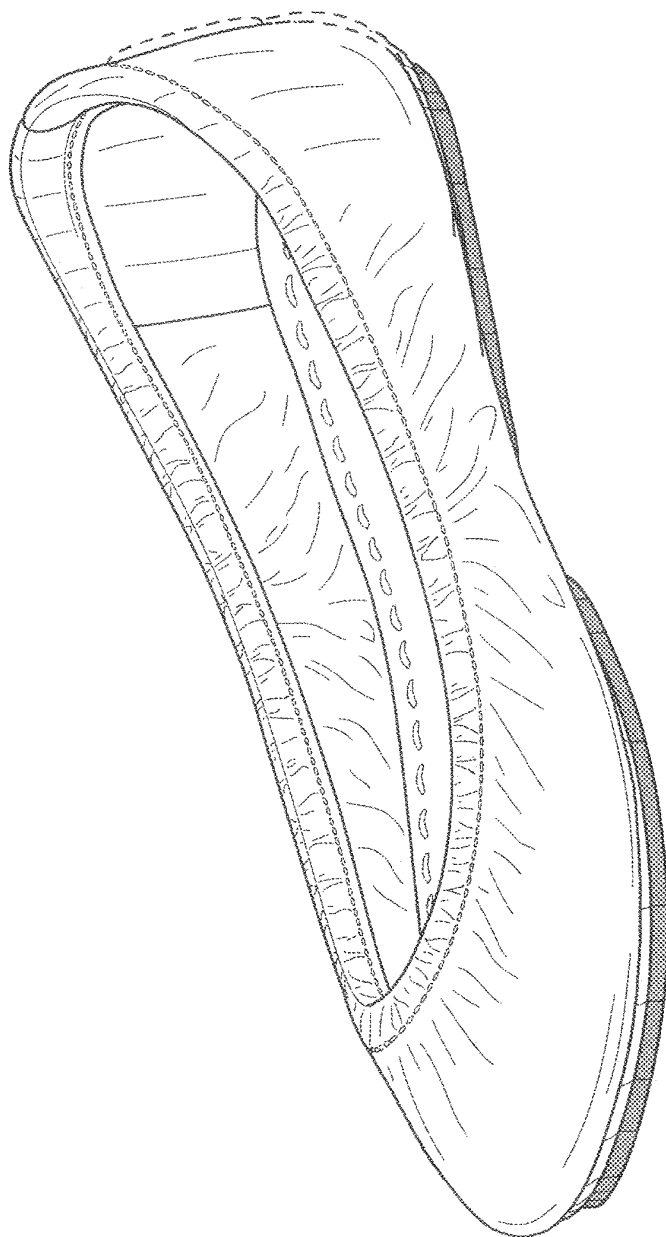


FIG. 43

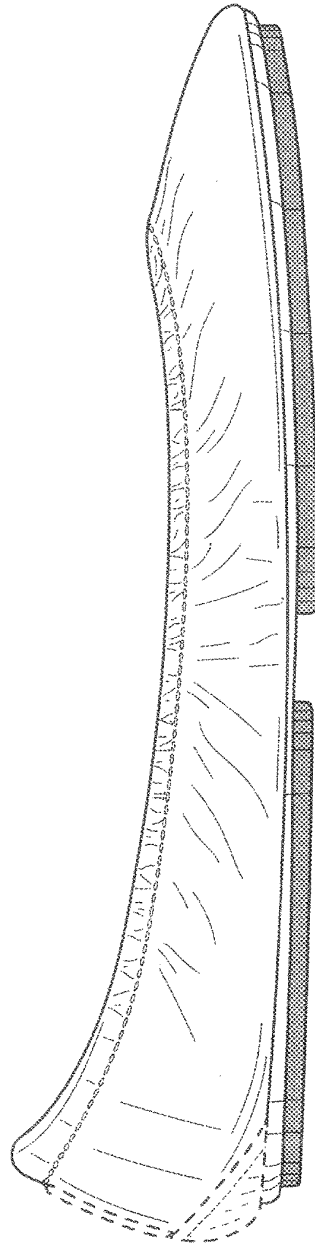


FIG. 44

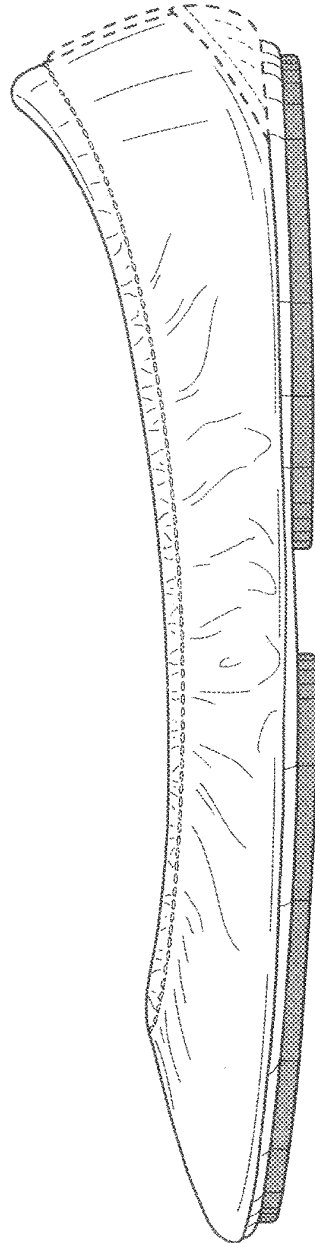


FIG. 45

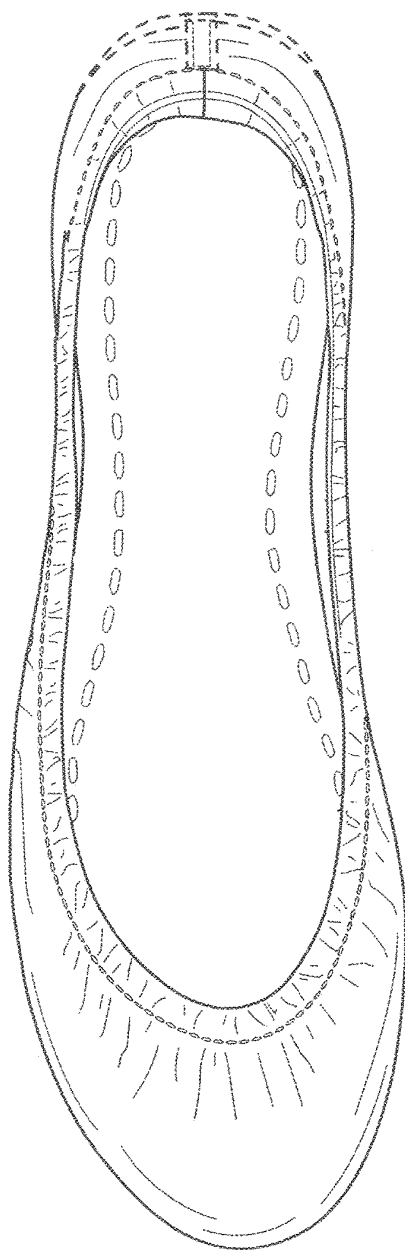


FIG. 46

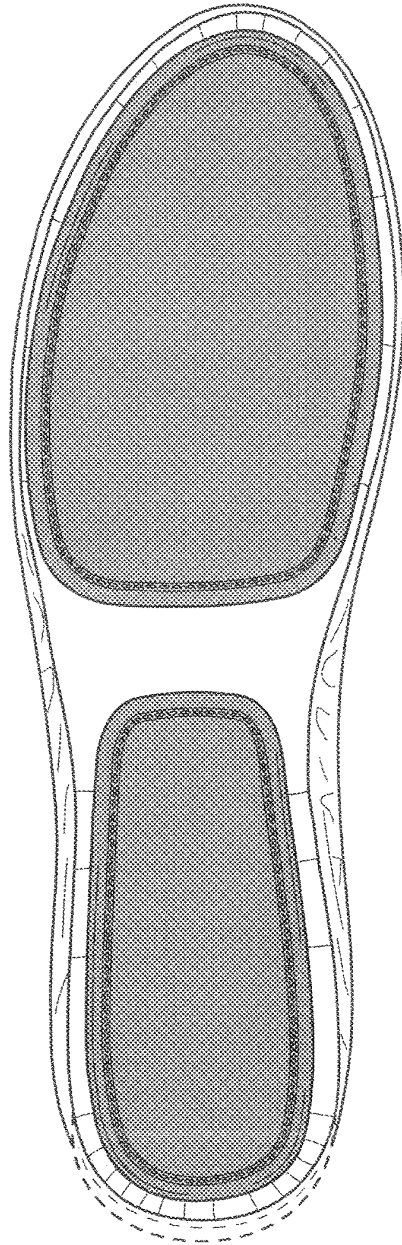


FIG. 47

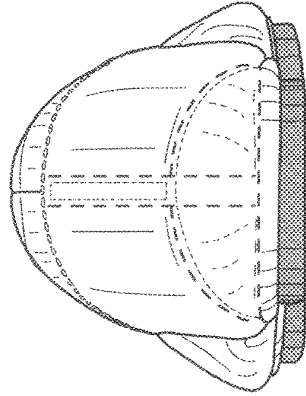


FIG. 49

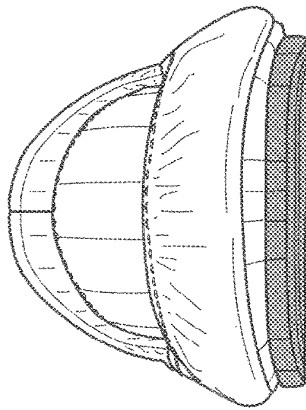


FIG. 48

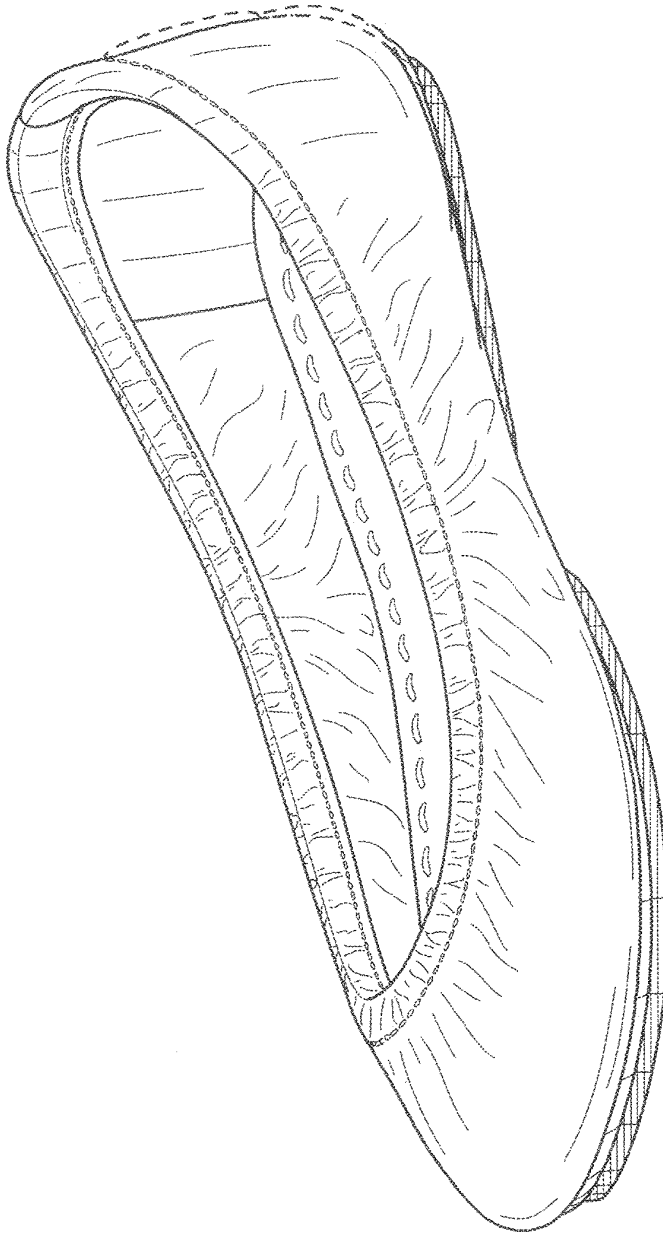


FIG. 50

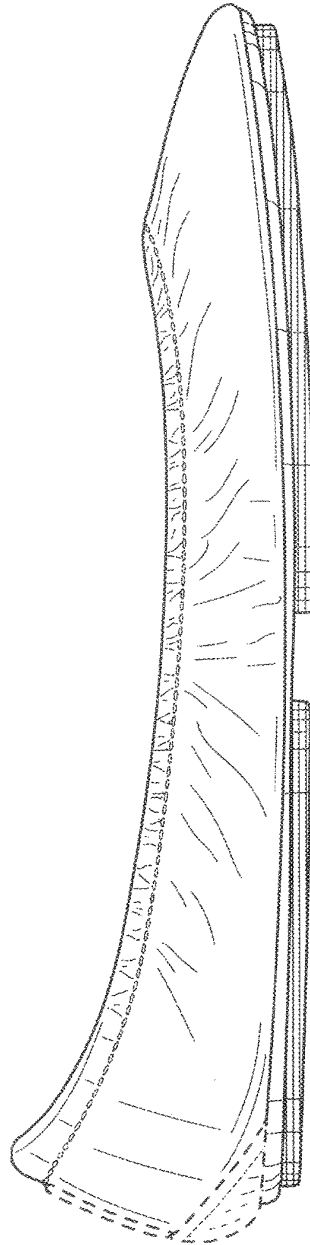


FIG. 51

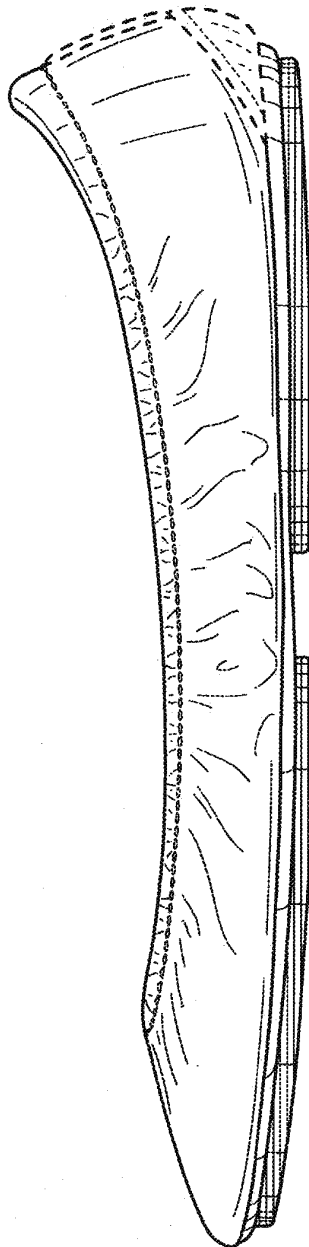


FIG. 52

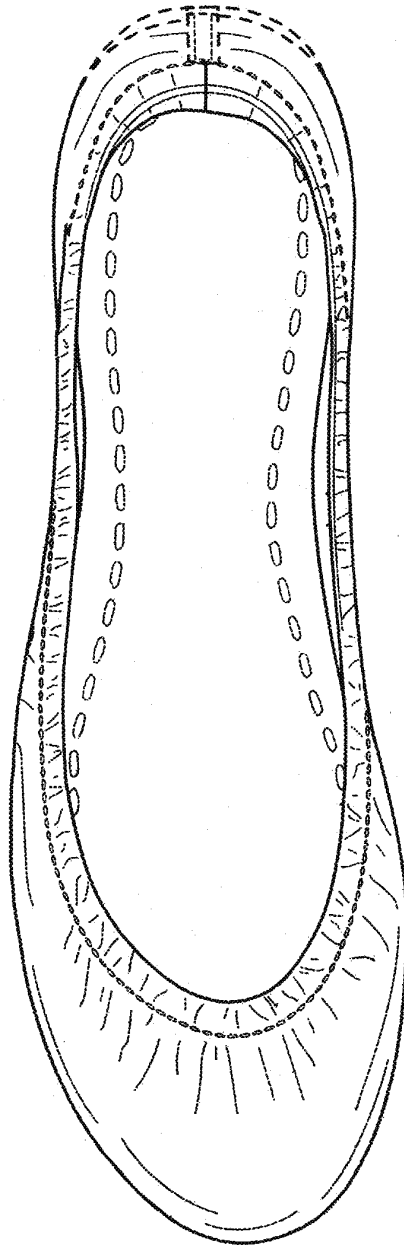


FIG. 53

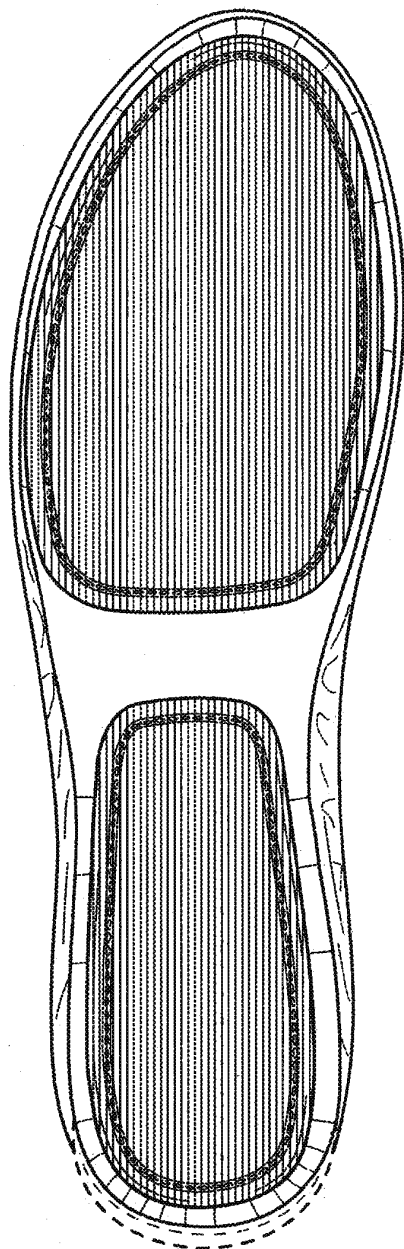


FIG. 54

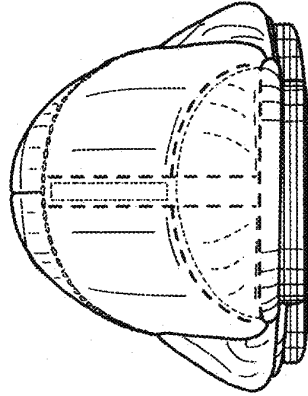


FIG. 56

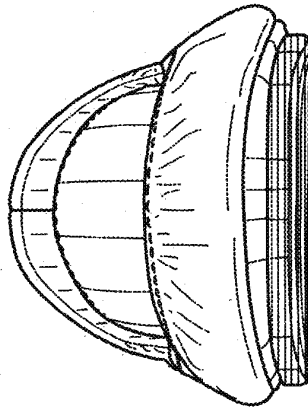


FIG. 55

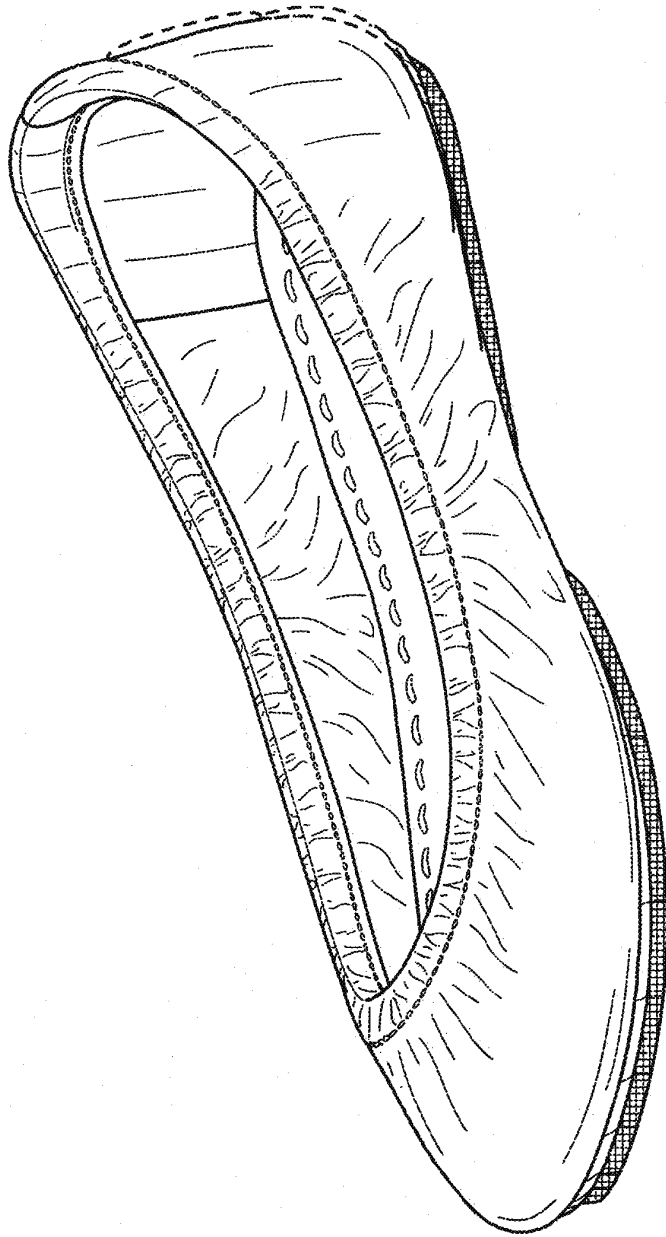


FIG. 57

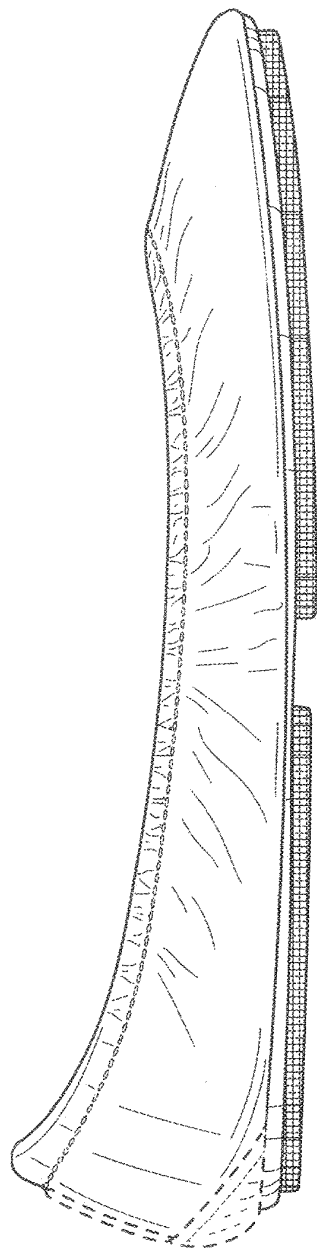


FIG. 58

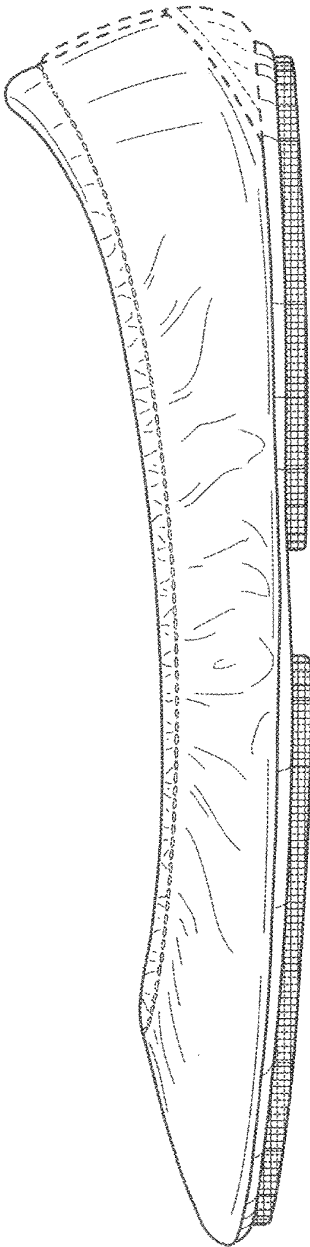


FIG. 59

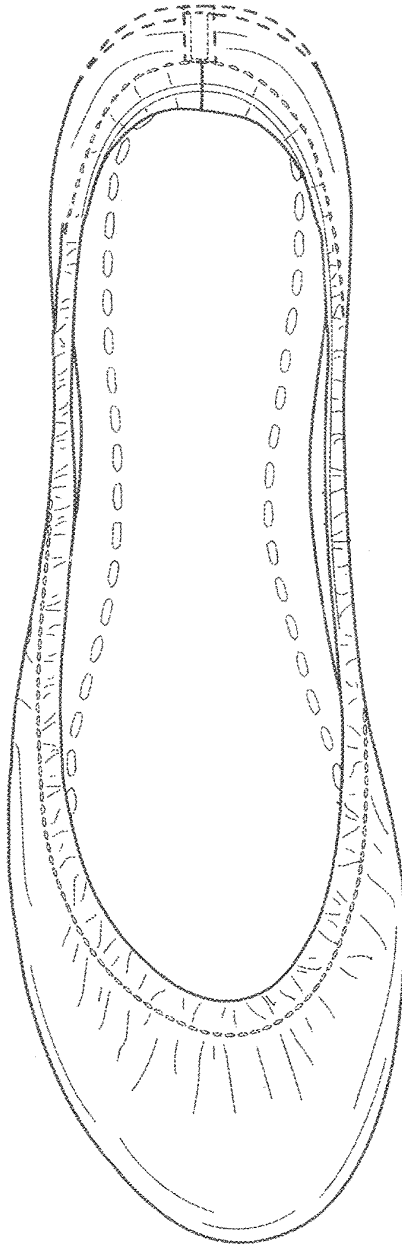


FIG. 60

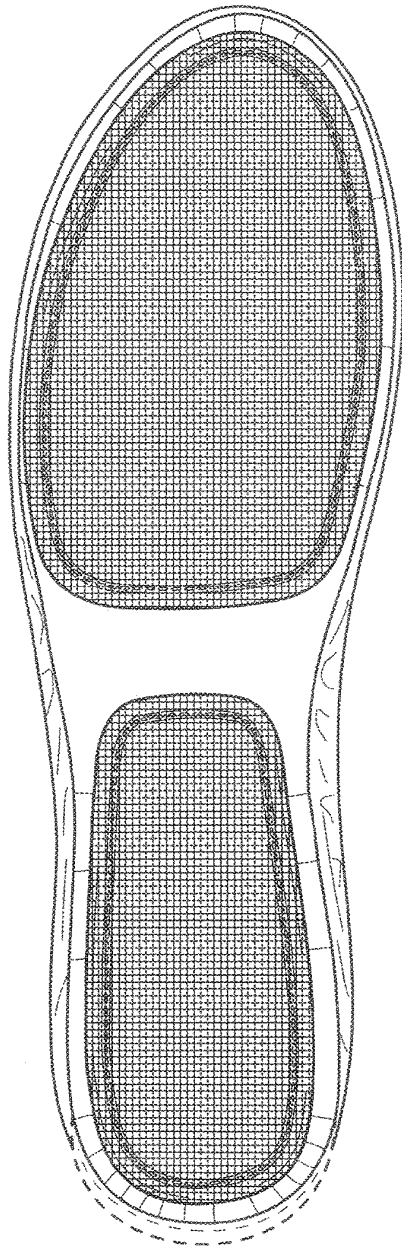


FIG. 61

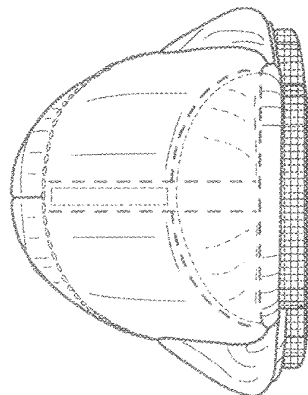


FIG. 63

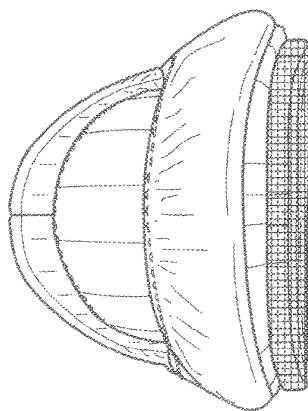


FIG. 62

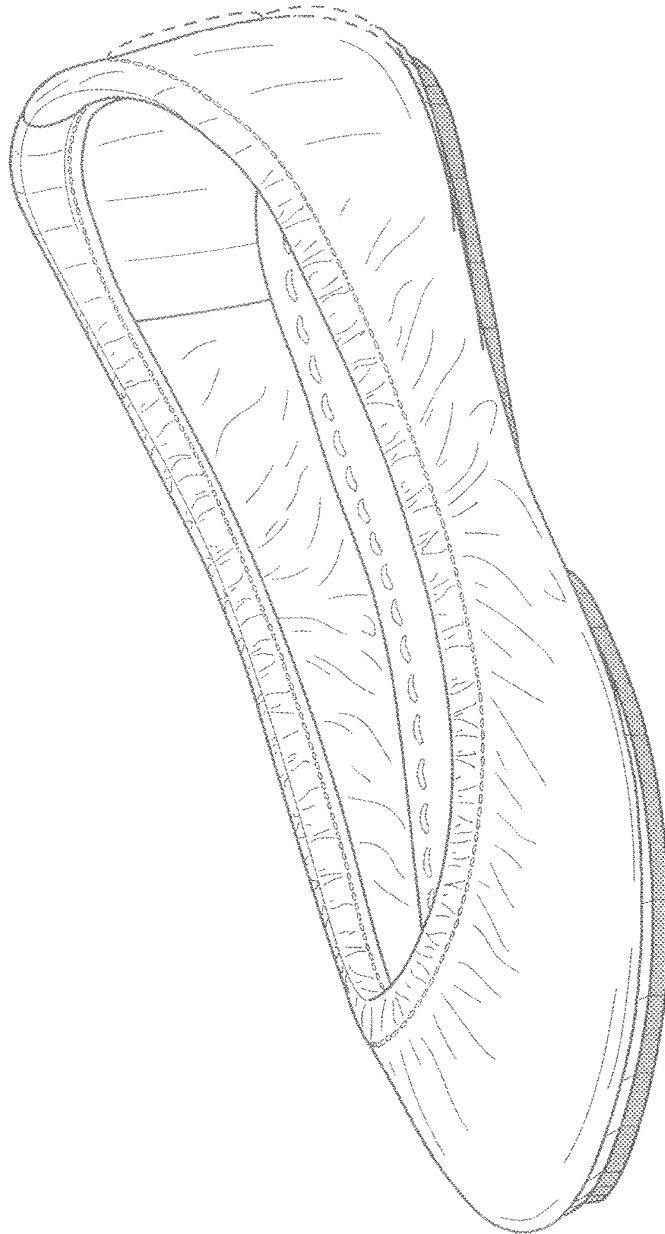


FIG. 64

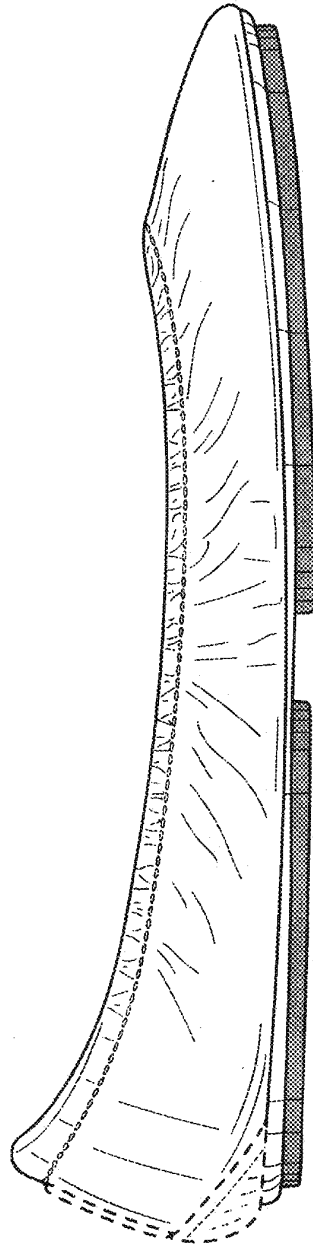


FIG. 65

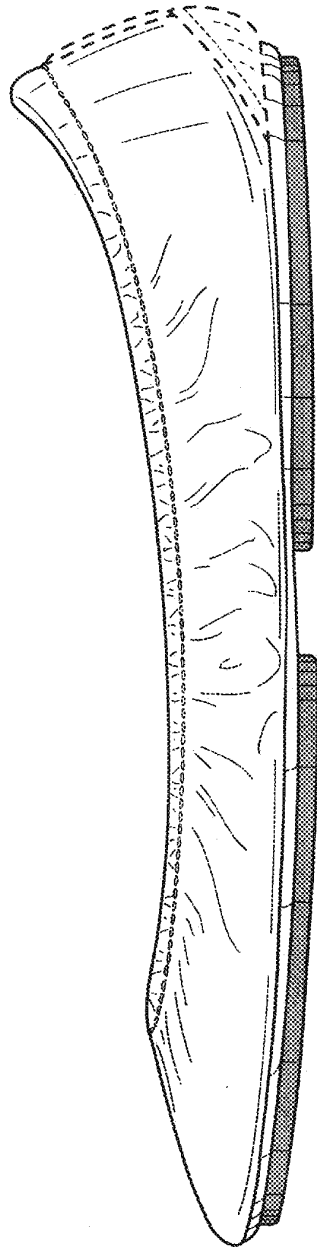


FIG. 66

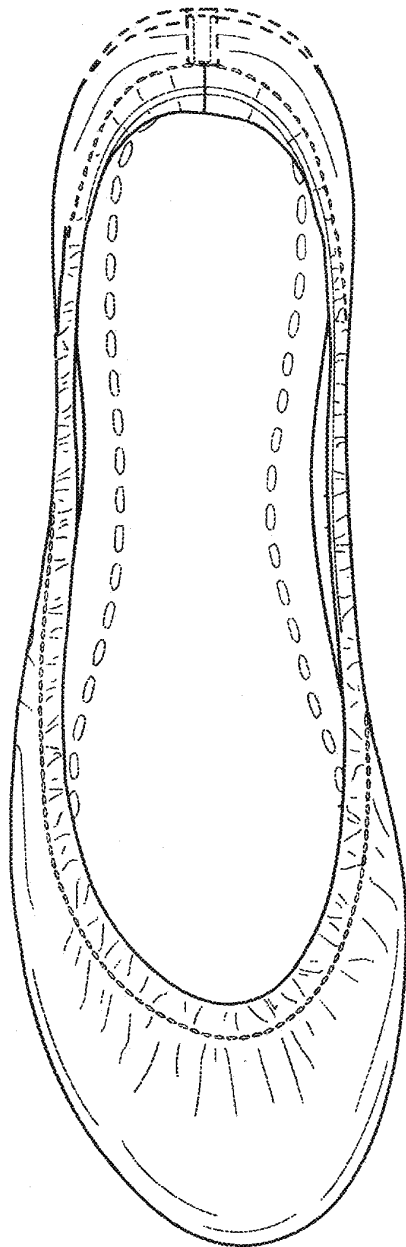


FIG. 67

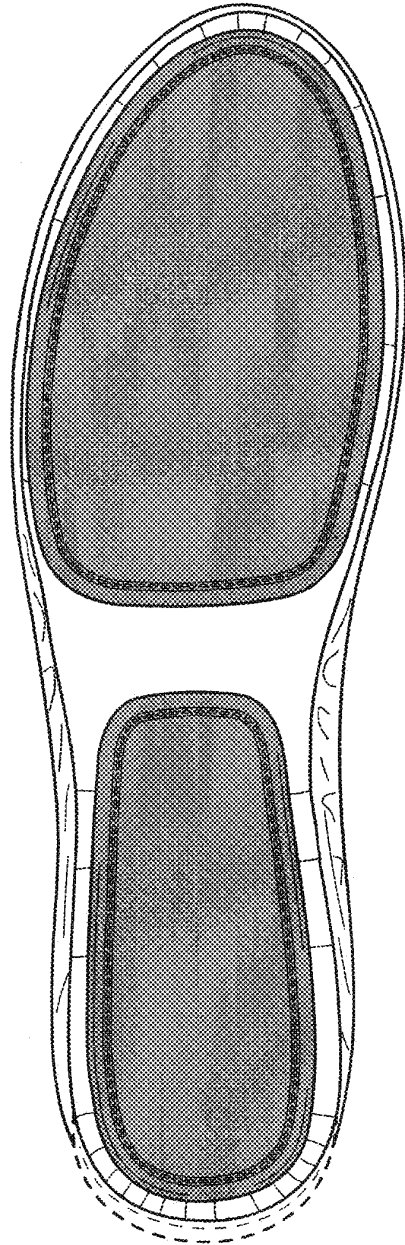


FIG. 68

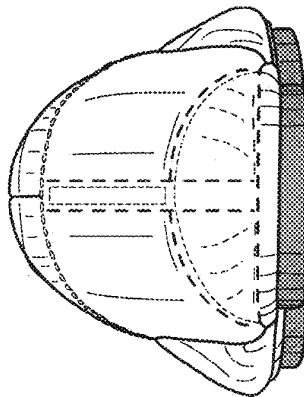


FIG. 70

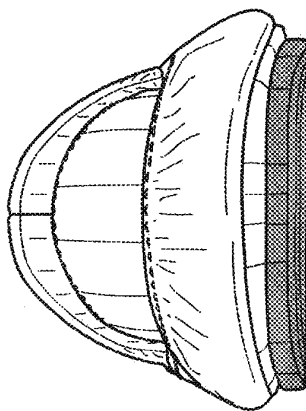


FIG. 69

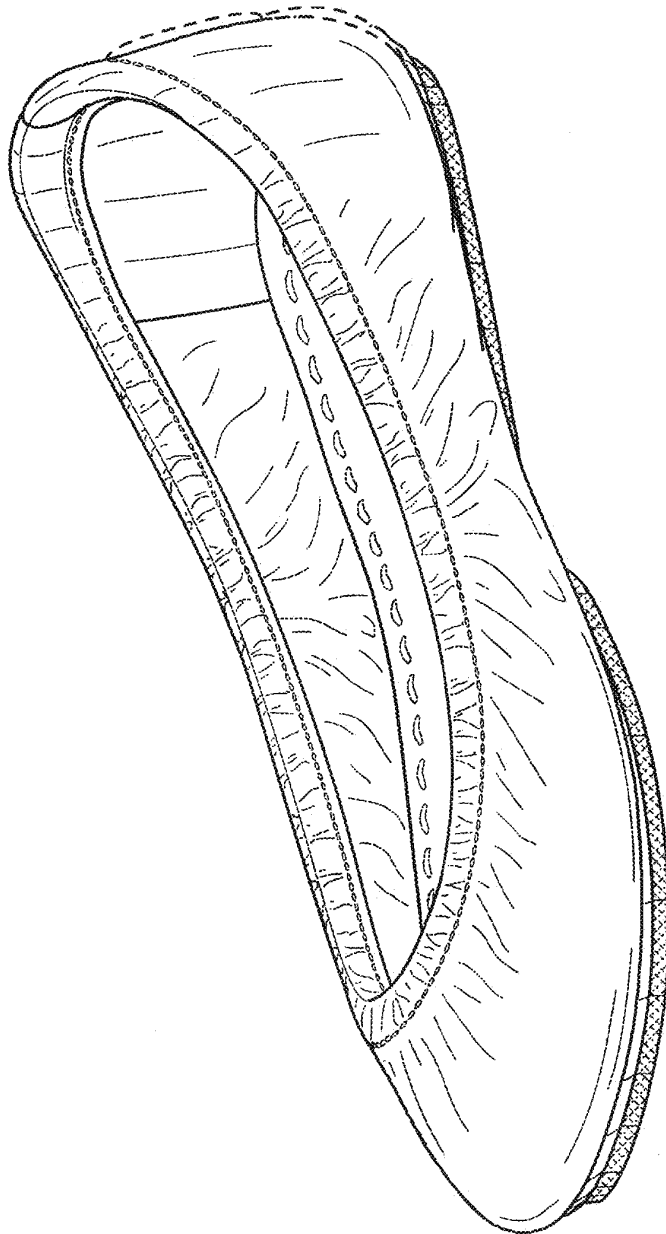


FIG. 71

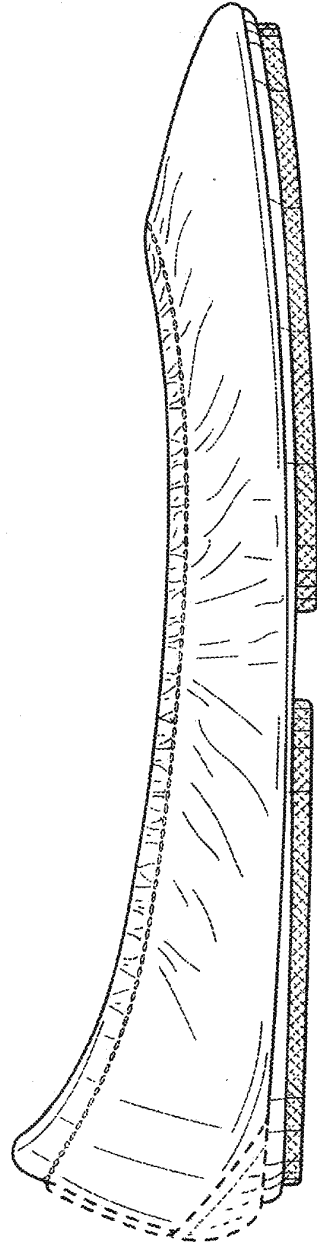


FIG. 72

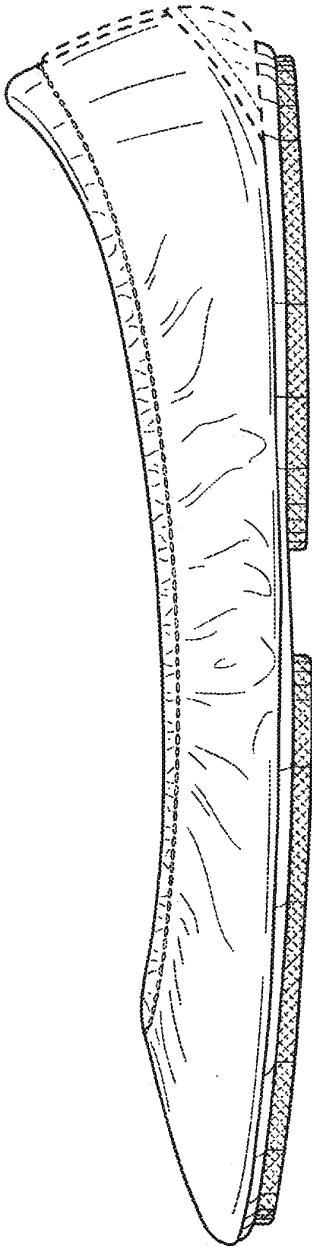


FIG. 73

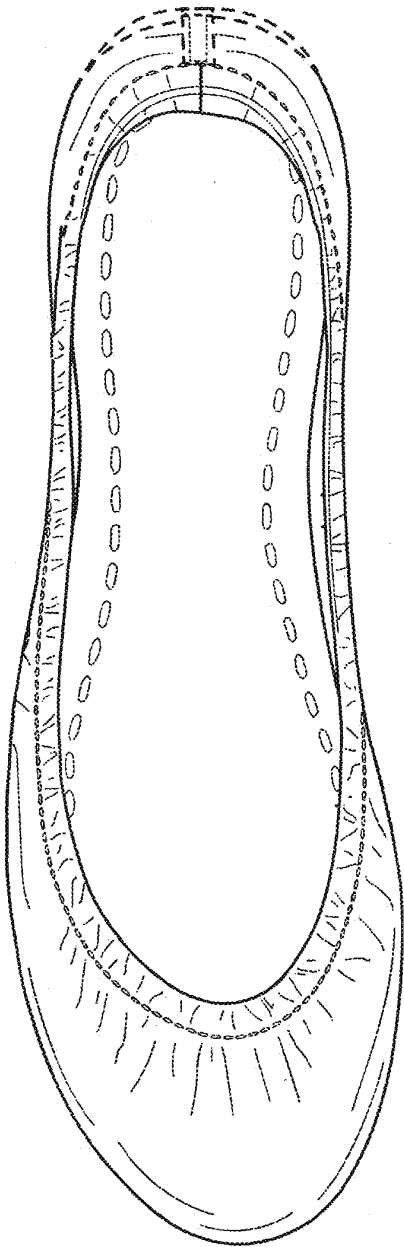


FIG. 74

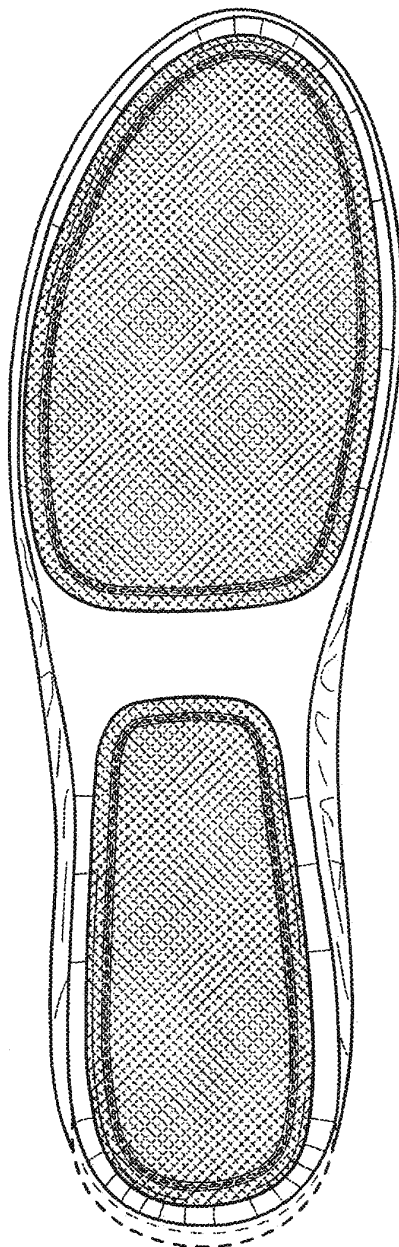


FIG. 75

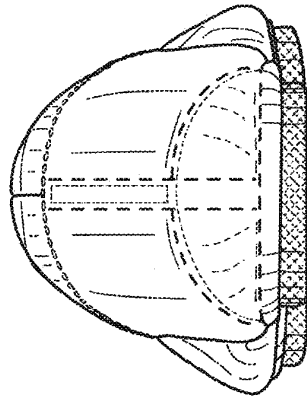


FIG. 77

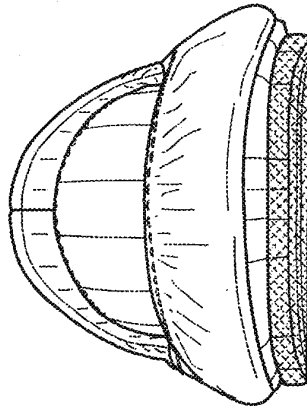


FIG. 76

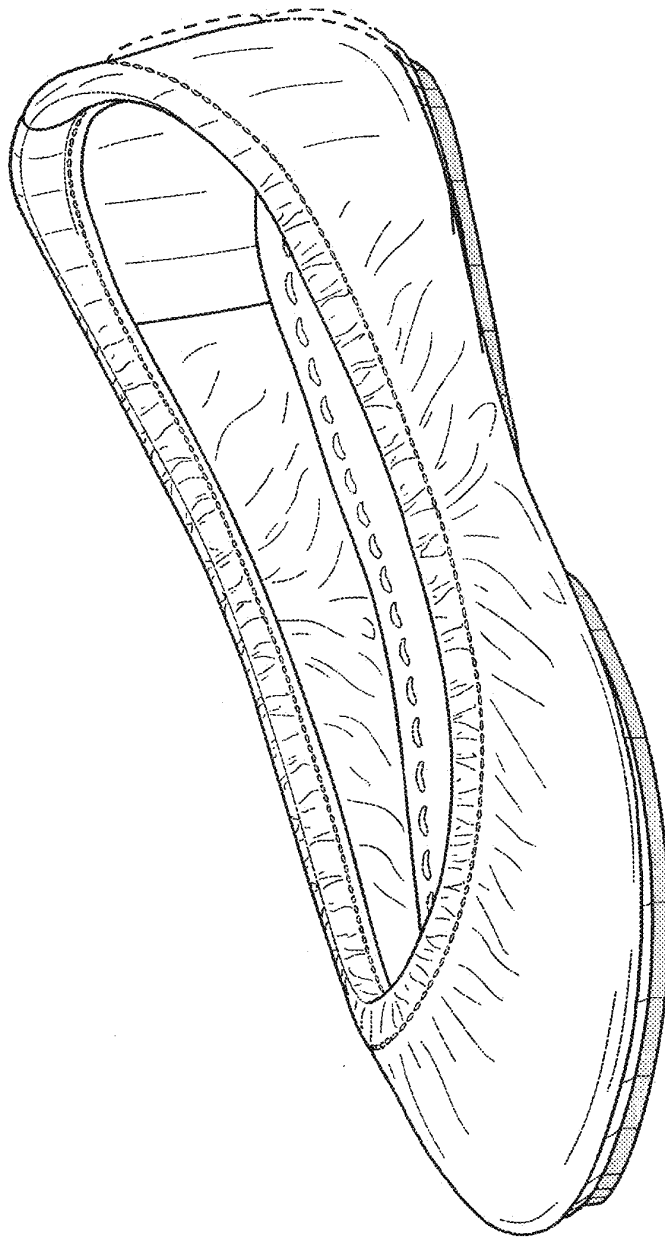


FIG. 78

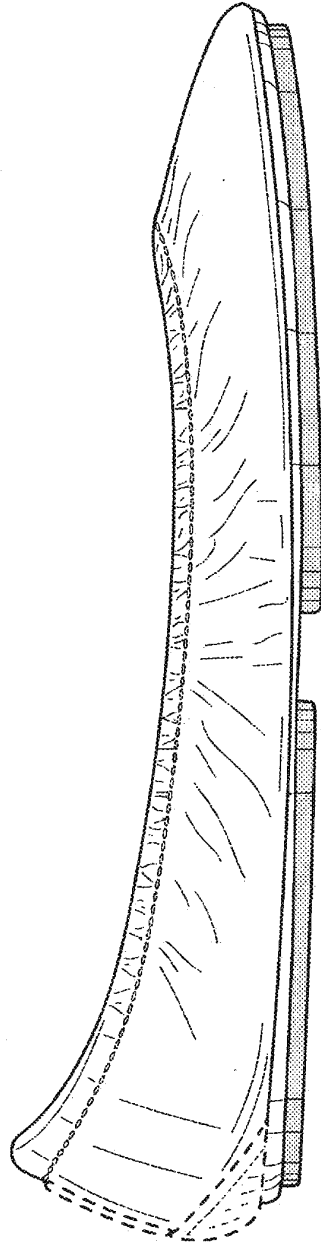


FIG. 79

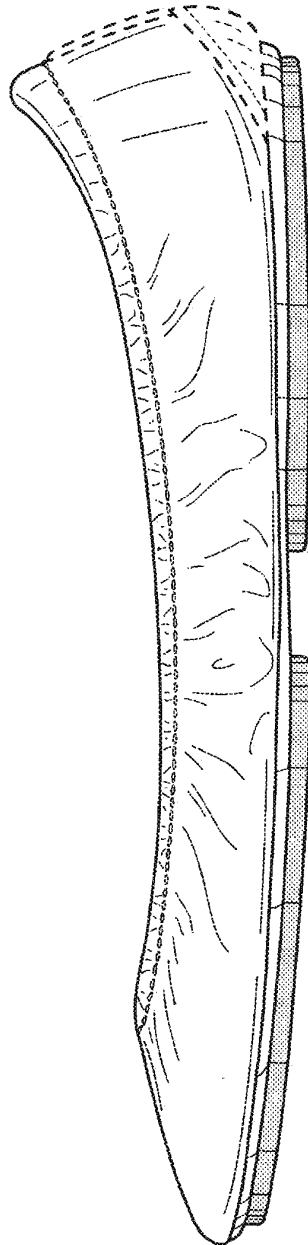


FIG. 80

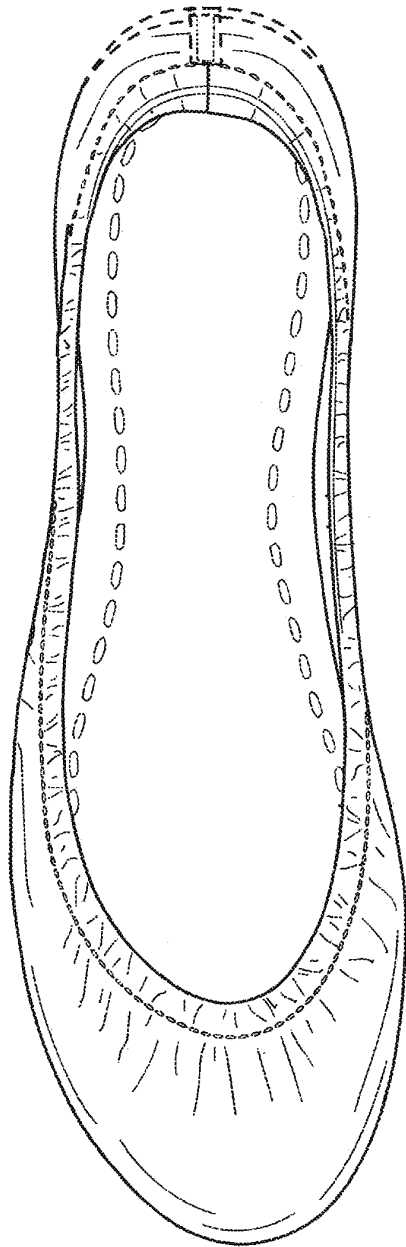


FIG. 81

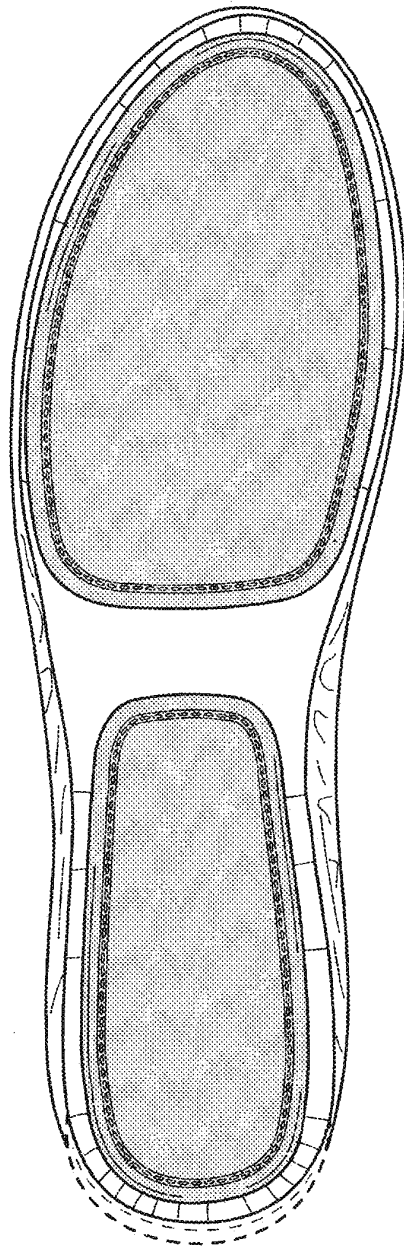


FIG. 82

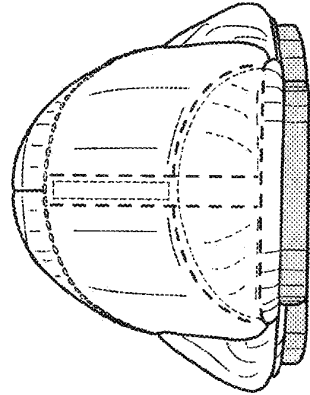


FIG. 84

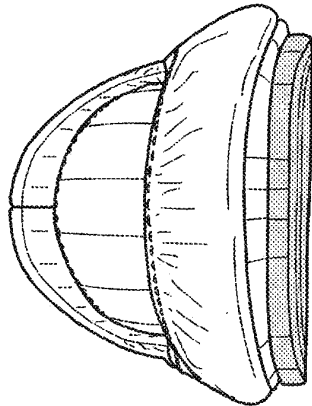


FIG. 83

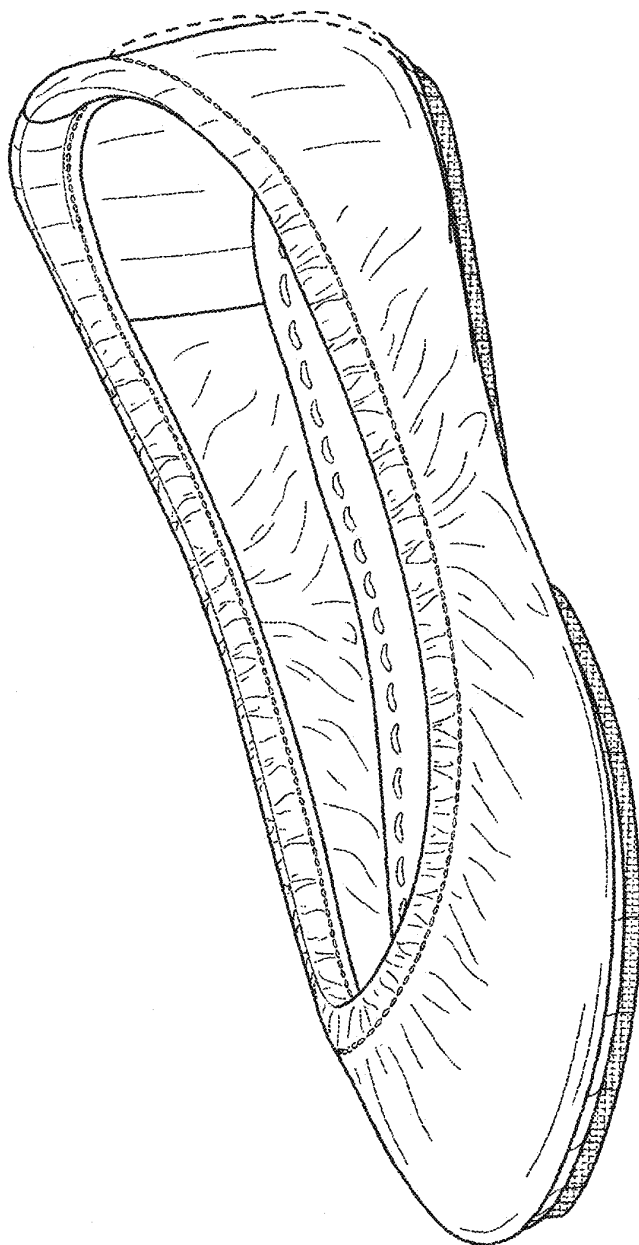


FIG. 85

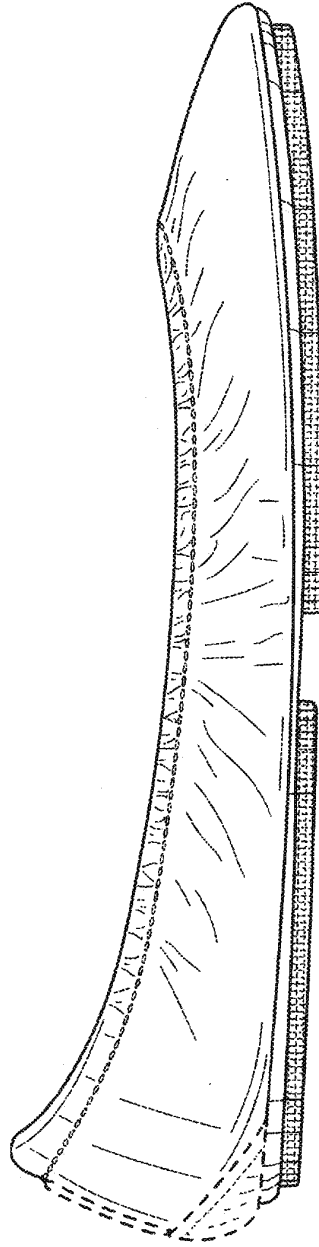


FIG. 86

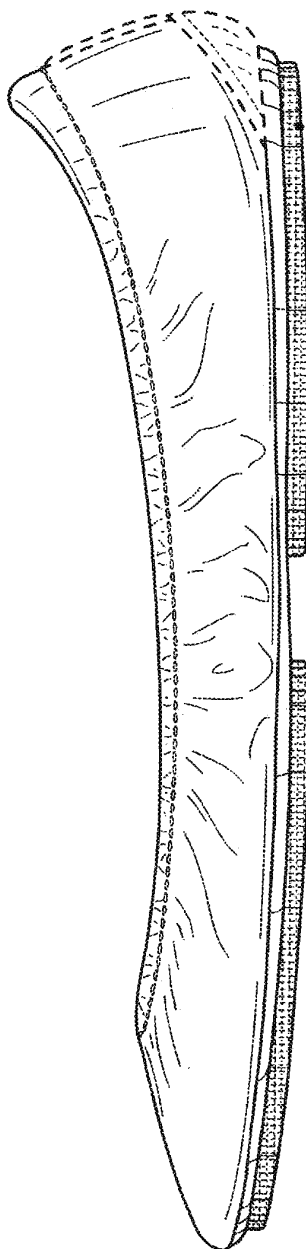


FIG. 87

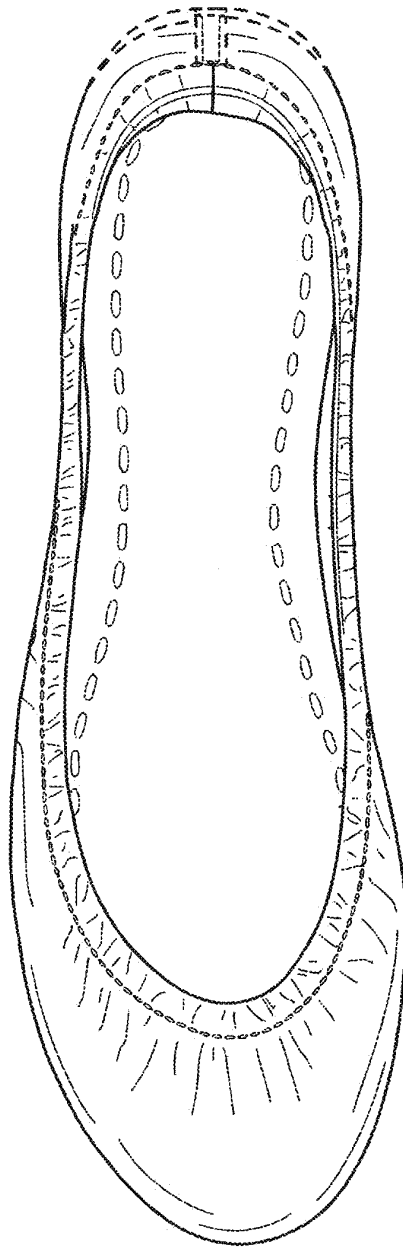


FIG. 88

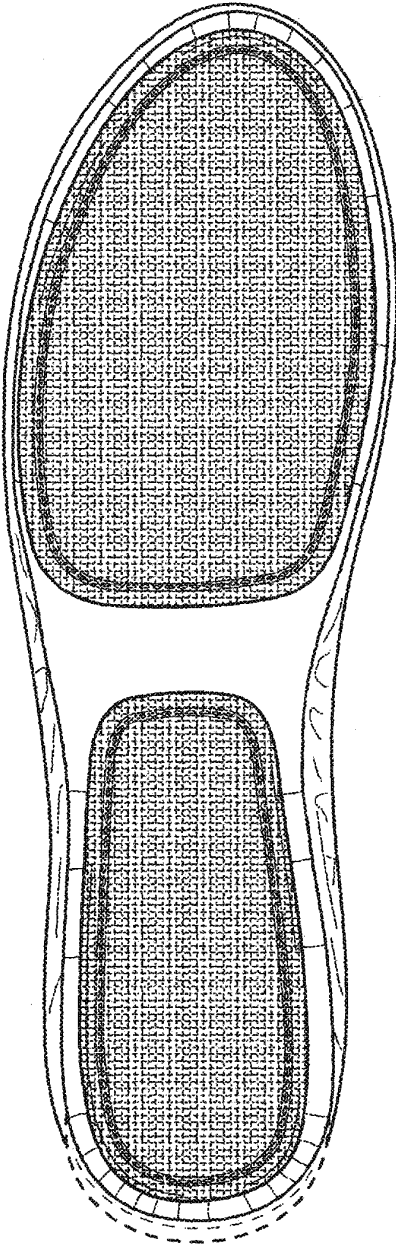


FIG. 89

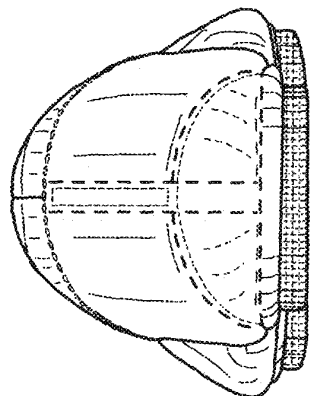


FIG. 91

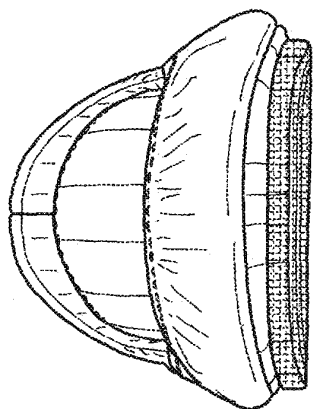


FIG. 90

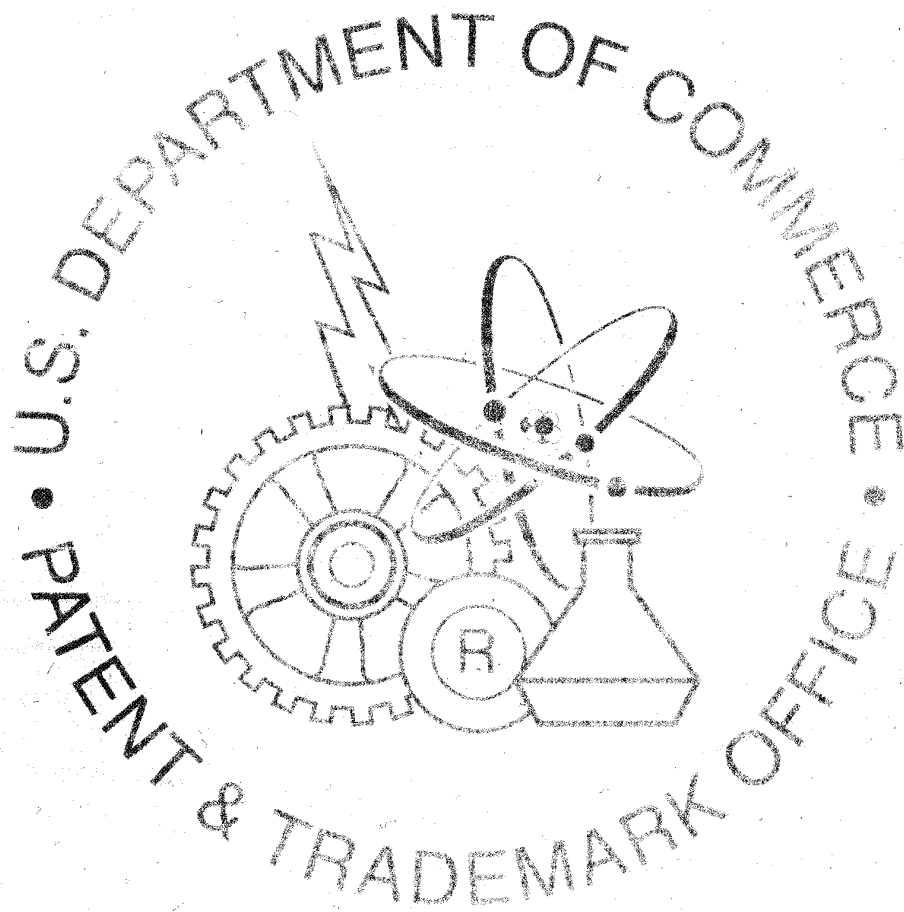
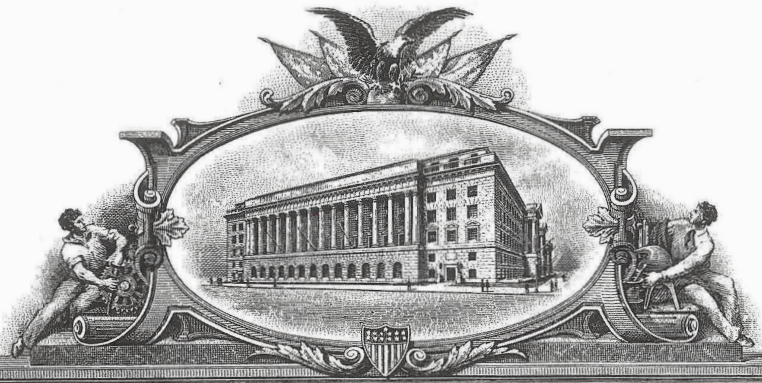


Exhibit B

8509814



THE UNITED STATES OF AMERICA

TO ALL TO WHOM THESE PRESENTS SHALL COME:
UNITED STATES DEPARTMENT OF COMMERCE
United States Patent and Trademark Office

July 26, 2024

THIS IS TO CERTIFY THAT ANNEXED HERETO IS A TRUE COPY FROM
THE RECORDS OF THIS OFFICE OF:

PATENT NUMBER: *D781,035*

ISSUE DATE: *March 14, 2017*

By Authority of the
Under Secretary of Commerce for Intellectual Property
and Director of the United States Patent and Trademark Office

Miguel Tarver
Certifying Officer





US00D781035S

(12) **United States Design Patent** (10) **Patent No.:** **US D781,035 S**
Gavrieli et al. (45) **Date of Patent:** **** Mar. 14, 2017**

(54) **SHOE WITH BLUE OUTPATCH SOLE** 1,525,848 A * 2/1925 Bonaventure A43B 5/12
36/113

(71) Applicant: **Gavrieli Brands LLC**, Beverly Hills, CA (US) 1,587,377 A 6/1926 Grosjean
1,650,466 A 11/1927 Righter
2,224,590 A 12/1940 Boivin
2,268,777 A 1/1942 Scholl
(72) Inventors: **Kfir Gavrieli**, Beverly Hills, CA (US);
Dikla Gavrieli, Beverly Hills, CA (US) D133,819 S * 9/1942 Harris D2/939
D135,791 S 6/1943 Beebe
2,323,563 A 7/1943 Nugent
(73) Assignee: **Gavrieli Brands LLC**, Beverly Hills, CA (US) 2,342,882 A 2/1944 Meltzer
D141,871 S 7/1945 Braun
2,383,585 A 8/1945 Bindner
D149,685 S * 5/1948 Sandler D2/935
D150,729 S * 8/1948 Sandler D2/923
D166,090 S * 3/1952 Maling D2/897
2,772,488 A 12/1956 Meltzer
2,904,814 A 9/1959 Scholl
(21) Appl. No.: **29/509,269** 3,148,378 A 9/1964 Tibbitts
D200,897 S * 4/1965 Mitchell D2/919
D220,464 S 4/1971 Hayoshi
D247,396 S * 3/1978 Schlerth D2/939
4,412,393 A 11/1983 Terlizzi, Jr. et al.
D275,525 S 9/1984 Nakao
4,674,206 A 6/1987 Lyden
D295,692 S * 5/1988 Zuidema D2/950
D300,085 S 3/1989 Ito et al.
RE33,018 E 8/1989 Ostrander
4,899,412 A 2/1990 Ganon
D316,773 S 5/1991 Valle
5,012,541 A 5/1991 Ganon
D339,669 S * 9/1993 Miller D2/919
5,282,326 A 2/1994 Schroer, Jr. et al.
5,421,050 A 6/1995 Laganas
5,699,629 A 12/1997 Munsch
5,746,014 A 5/1998 Tanemoto
D420,785 S 2/2000 Perez
6,055,745 A 5/2000 Endoh
6,076,284 A 6/2000 Terlizzi
6,189,239 B1 2/2001 Gasparovic et al.
6,338,207 B1 1/2002 Chang
D457,292 S * 5/2002 Sessa D2/949
D461,947 S 8/2002 Merceron
D476,798 S 7/2003 Reynolds et al.
6,588,124 B2 7/2003 Morrone
D498,041 S 11/2004 McClaskie
D500,191 S * 12/2004 Belley D2/969
D501,706 S 2/2005 McClaskie
6,857,203 B2 2/2005 Minden
6,895,693 B2 5/2005 Baruck
6,978,557 B2 12/2005 Lee
7,032,327 B1 4/2006 Tartaglia et al.
7,036,244 B1 5/2006 Finch
D527,513 S 9/2006 Della Valle

Related U.S. Application Data

(63) Continuation of application No. 14/266,599, filed on Apr. 30, 2014, now Pat. No. 9,398,786, which is a continuation of application No. 13/207,397, filed on Aug. 10, 2011, now Pat. No. 8,745,893.

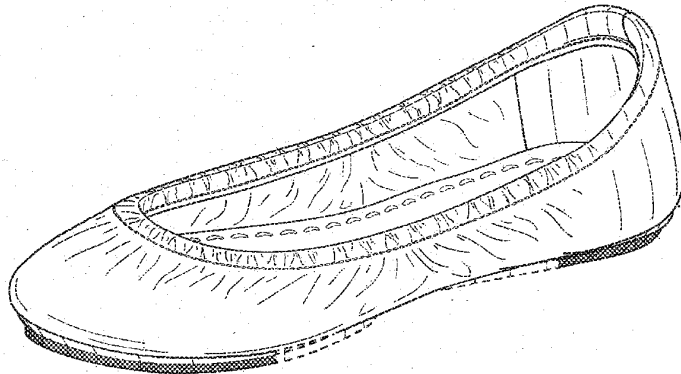
(51) **LOC (10) Cl.** **02-04**
(52) **U.S. Cl.**
USPC **D2/939**

(58) **Field of Classification Search**
USPC D2/896, 900, 919-921, 925, 939, 947,
D2/950, 969, 971; 36/1, 83, 8.1-8.3, 9 R,
36/45-58, 104, 108, 76 R
CPC A43B 21/00; A43B 21/02; A43B 21/06;
A43B 9/14; A43B 1/0045; A43B 13/10;
A43B 13/12; A43B 23/06; A43B 23/07;
A43B 1/0036; A43B 5/12
See application file for complete search history.

(56) **References Cited**

U.S. PATENT DOCUMENTS

249,086 A 11/1881 Pienovi
773,850 A 11/1904 Cooper et al.
830,941 A 9/1906 Walden
1,208,209 A 12/1916 Prince
1,214,666 A 2/1917 Ford
1,519,009 A 12/1924 Reina



D529,513 S *	10/2006	Aketa	D15/5
D531,790 S	11/2006	Wurzburg	
D534,341 S *	1/2007	Choi	D2/896
D542,513 S	5/2007	Amado et al.	
D556,990 S	12/2007	Cabados	
7,337,558 B2	3/2008	Terlizzi et al.	
D567,485 S	4/2008	James	
D570,488 S	6/2008	Kirksey et al.	
D571,084 S	6/2008	Comeau	
D571,548 S	6/2008	Seamans	
D571,989 S	7/2008	Siegal	
D580,640 S	11/2008	Wurzburg	
D582,638 S	12/2008	Ringholz	
7,496,982 B2	3/2009	Clark et al.	
7,506,459 B2	3/2009	Grisoni et al.	
D591,031 S	4/2009	Cofinco	
D593,295 S *	6/2009	Belley	D2/969
D593,297 S *	6/2009	Belley	D2/969
D593,307 S *	6/2009	Belley	D2/969
D599,093 S *	9/2009	Issler	D2/925
D604,030 S	11/2009	Wilson	
D607,194 S	1/2010	Zagula	
D610,332 S	2/2010	Raichle	
D610,785 S	3/2010	Smith	
D612,140 S	3/2010	Moon	
D612,141 S	3/2010	Moon	
7,694,435 B1	4/2010	Kiser et al.	
D615,737 S	5/2010	Feller	
7,735,244 B1	6/2010	Ameche	
7,743,530 B2	6/2010	Truelsen	
D618,891 S	7/2010	McClaskie	
7,757,408 B2	7/2010	McClaskie	
D630,829 S	1/2011	Weisner	
D632,881 S	2/2011	Rosenberg	
7,926,203 B2	4/2011	Wilkenfeld	
7,966,747 B2	6/2011	Wilkenfeld et al.	
D640,861 S	7/2011	Wilkenfeld	
8,020,320 B2	9/2011	Gillespie	
8,127,468 B2	3/2012	Morgan	
D657,543 S	4/2012	Bove	
D659,960 S	5/2012	Bizzo	
8,230,619 B2	7/2012	Salvatelli	
D664,755 S	8/2012	Gavrieli et al.	
D665,157 S	8/2012	Wu	
8,240,067 B2	8/2012	Sussmann	
8,245,420 B2	8/2012	Wilson	
D668,027 S	10/2012	Millieret	
D668,438 S	10/2012	Millieret	
D668,847 S *	10/2012	Gavrieli	D2/925
D668,848 S *	10/2012	Gavrieli	D2/925
D668,849 S	10/2012	Pozzi	
D668,850 S	10/2012	Pozzi	
D672,542 S	12/2012	Gray et al.	
D676,634 S *	2/2013	Gavrieli	D2/925
D681,927 S *	5/2013	Gavrieli	D2/925
D681,928 S *	5/2013	Gavrieli	D2/925
D681,929 S *	5/2013	Gavrieli	D2/925
D683,936 S *	6/2013	Gavrieli	D2/925
8,468,723 B2	6/2013	Malka-Harari	
D686,812 S	7/2013	Gavrieli et al.	
8,510,975 B2	8/2013	Krikelis	
D688,853 S *	9/2013	Gavrieli	D2/925
D688,854 S *	9/2013	Gavrieli	D2/925
D688,855 S *	9/2013	Gavrieli	D2/925
D689,270 S *	9/2013	Gavrieli	D2/925
D689,271 S *	9/2013	Gavrieli	D2/925
D689,272 S *	9/2013	Gavrieli	D2/925
D690,914 S *	10/2013	Gavrieli	D2/925
D690,915 S *	10/2013	Gavrieli	D2/925
D696,500 S	12/2013	Hunt	
D699,424 S	2/2014	Hamm	
8,661,714 B2	3/2014	Sussmann	
8,745,893 B2	6/2014	Gavrieli et al.	
8,973,287 B2	3/2015	Shibata	
2002/0078591 A1	6/2002	Morrone	
2002/0129519 A1	9/2002	Cahan	
2003/0070319 A1	4/2003	Minden	
2003/0121176 A1	7/2003	Baruck	
2004/0025377 A1	2/2004	Brannon	

2005/0022421 A1	2/2005	Bruckner
2005/0115115 A1	6/2005	Lacey
2005/0217148 A1	10/2005	Connolly et al.
2005/0262734 A1	12/2005	Cheng
2006/0086005 A1	4/2006	Yerian
2006/0156576 A1	7/2006	Sloan
2007/0074424 A1	4/2007	Lin
2007/0204482 A1	9/2007	Gibson-Collinson
2007/0204483 A1	9/2007	Kirsch et al.
2008/0052964 A1	3/2008	Taylor
2008/0086912 A1	4/2008	Wilkenfeld
2008/0110059 A1	5/2008	Kuramoto et al.
2009/0019732 A1	1/2009	Sussmann
2009/0193685 A1	8/2009	Wilson
2009/0205222 A1	8/2009	McLinden
2009/0272009 A1	11/2009	Weisner et al.
2010/0011625 A1	1/2010	Percival
2010/0018080 A1	1/2010	Smith
2010/0050469 A1	3/2010	Chen
2010/0095557 A1	4/2010	Jarvis
2010/0115793 A1	5/2010	Kraisosky
2010/0122475 A1	5/2010	Purrrington
2010/0146822 A1	6/2010	MacGregor
2010/0212186 A1	8/2010	Cheng
2010/0275462 A1	11/2010	Pucci
2010/0281713 A1	11/2010	Pantazes
2015/0089843 A1	4/2015	Gavrieli

FOREIGN PATENT DOCUMENTS

DE	20	2006	00023	UI	5/2007
GB			2443937	A	5/2008
GB			2 446 205	A	8/2008
TW			D119165		10/2007

OTHER PUBLICATIONS

Examination Report for AU 341324, 3 pgs., dated Oct. 24, 2012.
 Letter from TMI and Associates with Office Action, 2 pgs, dated Sep. 19, 2012 <http://www.payless.com/store/?&TLC=Womens&SLC=WomensNewArrivals&BLC=WomensNewArrivalsNewArrivals&With+Regular&ItemCode=60131&LotNumber=062642&Type=Adult&Popularity=637&Descriptvein>.
 Taiwanese Office Action for TW 101300726, 10 pgs., dated Sep. 6, 2012.
 "The Love List, Ties by Gavrieli—Foldable Ballet Flats," <http://thelovelist-carly.blogspot.com.au/2010/09/ties-by-gavrieli-foldable-ballet.html>, 3 pgs., Sep. 12, 2010.
 "Ties by Gavrieli," <http://ties.com>, 1 pg., retrieved Mar. 13, 2013 from URL.
 "Try It Mummy!, Ties by Gavrieli," <http://tryitmummy.blogspot.com.au/2010/12/ties-by-gavrieli.html>, 4 pgs., Dec. 9, 2010.
 "Wearability—Real People Style, What came first, the City Flat or the Ties," <http://wearability.posterous.com/what-came-first-the-city-flat-or-the-ties>, 4 pgs., Aug. 29, 2010.
 "The Ballet Flat . . . Reinvented; Ballet Flats . . . with a Bonus; Step Into Ties; Going Places? Take Ties," <http://web.archive.org/web/2010052004346/http://www.ties.com/>; 4 pgs., May 24, 2010.
 "Ties—Comfortable designer flats you can fit in your purse and wear all day, every day," <http://web.archive.org/web/20110731151555/http://ties.com/>; 6 pgs., Jul. 31, 2011.
 "58th Annual Emmy Awards," http://spoonsforksandfashion.blogspot.com/2006_08_01_archive.html, depicting Nine West flats, 11 pgs., Aug. 1, 2006.
 Pictures of Nine West flats sold in 2006, 3 pgs.
 "I Love a Good Ballet Flat!," <http://dressupfiles.com/i-love-a-good-ballet-flat>, depicting Sue London flats, 4 pgs., Sep. 3, 2010.
 Pictures of Sue London flats sold in 2010, 2 pgs.
 "Miss Cathie Reviews: The Yosi Samra Foldable Ballet Flat . . .," <http://www.misscathie.com/2010/01/miss-cathie-reviews-the-yosi-samra-foldable-ballet-flat/>, depicting Yosi Samra flats, 7 pgs., Jan. 2010.

Pictures of Yosi Samra flats sold in 2010, 2 pgs.
 "Goodbye two thousand ten," http://emmajoyrussell.blogspot.com/2010_12_01_archive.html, depicting Gap flats, 39 pgs., Dec. 1, 2010.
 Pictures of Gap flats available for sale in 2010, 9 pgs.
 "Our newest design of folding flats—Pink," <https://fitinclouds.wordpress.com/2010/05/16/our-newest-design-of-folding-flats-pink/>, depicting Fit in Clouds flats, 1 pg., May 16, 2010.
 "Fit in Clouds Satin Folding Shoes," <http://www.goodhousekeeping.com/product-reviews/clothing/best-ballet-flats/fit-in-clouds-satin-foldable-ballet-flats>, depicting Fit in Clouds flats, 1 pg., Aug. 2013.
 Pictures of Fit in Clouds flats available for sale in 2011, 4 pgs.
 "Shoes for Standing," <https://truthinshoes.wordpress.com/2008/07/>, depicting Sam & Libby flats, 2 pgs., Jul. 31, 2008.
 "Target Designer Collaboration: Announcing Sam & Libby Shoes for Target," <http://www.therecessionista.com/2012/11/target-designer-collaboration-announcing-sam-libby-shoes-for-target.html>, depicting Sam & Libby flats, 1 pg., Nov. 26, 2012.
 Pictures of Sam & Libby flats available for purchase in 2011, 5 pgs.
 "Save your soles with Citisoles ballet flats," <http://glamazondiaries.com/2009/07/save-your-soles-with-citisoles-ballet-flats>, depicting Citisoles flats, 3 pgs., Jul. 2009.
 Pictures of Citisoles flats available for purchase in 2009, 3 pgs.
 "#16 Corso Como Delicious Pumps Review and Giveaway!," <http://www.mommatoldmeblog.com/2011/01/16-corso-como-delicious-pumps-review.html>, depicting Corso Como flats, 8 pgs., Jan. 16, 2011.
 Pictures of Corso Como flats available for sale in 2011, 3 pgs.
 "Jil-sander-navy-lead-ballet-flats-product . . .," www.ebay.com, depicting Jil Sander flats, 4 pgs., Nov. 2013.
 Pictures of Jil Sander flats available for sale in 2011, 3 pgs.
 "Spare Soles: Shoes That Roll-up & Fold-up," <http://herpackinglist.com/2011/01/spare-soles-shoes/>, depicting Spare Soles flats, 2 pgs., Jan. 2011.
 Pictures of Spare Soles flats available for sale in 2011, 5 pgs.
 The Original Rollable, Foldable ballet flats with matching wristlet—Spare Soles, <http://herpackinglist.com/2011/01/spare-soles-shoes/>, depicting Roll-Upz Spare Soles flats, 2 pgs., Jan. 2011.
 Pictures of Roll-Upz by Spare Soles flats available for sale in 2011, 6 pgs.
 "The Cutest Blog, Preppy 50 and Loving Lilly, Ballet Flat Delight," <http://preppy50andlovinglilly.blogspot.com/2011/02/ballet-flat-delight.html>, depicting Henri Bendel flats, 13 pgs., Feb. 19, 2011.
 Pictures of Henri Bendel flats available for sale in 2011, 4 pgs.
 "Mumsnet by parents for parents," http://www.mumsnet.com/Talk/style_and_beauty/a1612000-Anyone-tried-Redfoot-Flatmates-foldable-ballet-pumps, depicting Redfoot Flatmates flats, 1 pg., Nov. 14, 2012.
 Pictures of Redfoot Flatmates flats available for sale in 2011, 6 pgs.
 "Amazon.com: Customer Reviews: Bloch London Women's Lux Ballet Flat," <http://www.amazon.com/Bloch-London-Womens-Ballet-Flat/product-reviews/B004LWP7YW>, depicting Bloch London flats, 4 pgs., Dec. 11, 2011.
 Pictures of Bloch London flats offered for sale in 2011, 11 pgs.
 "h&m foldable leopard print flat," <http://845shops.wordpress.com/2011/06/16/flats-for-7-bucks/shoe1/>, depicting h&m flats, 3 pgs., Jun. 16, 2011.
 Pictures of h&m foldable flats offered for sale in 2011, 4 pgs.
 "Seekyt—Juicy Couture Ballet Flats—Are They Worth The Money?," <http://seekyt.com/juicy-couture-ballet-flats-are-they-worth-the-money/>, 14 pgs., Jun. 3, 2011.
 Pictures of Juicy Couture flats offered for sale in 2011, 3 pgs.
 "Purse Flats," <http://purseflats.wordpress.com>, depicting Purse Flats by Erica Wilson, 3 pgs., Jul. 12, 2012.
 Pictures of Purse Flats by Erica Wilson offered for sale in 2011, 6 pgs.
 "Splash Page," <http://web.archive.org/web/2010524004346/http://www.tiels.com/>, 4 pgs., May 24, 2010.
 "Tiels—Comfortable, designer flats you can fit in your purse and wear all day, every day," <http://web.archive.org/web/20110731151555/http://tiels.com>, 6 pgs., Jul. 31, 2011.

"Tiels by Gavrieli—Comfortable, designer flats you can fit in your purse and wear all day . . .," <http://web.archive.org/web/20110202210649/http://www.tiels.com/>, 8 pgs., Feb. 2, 2011.
 "Carolina M. M. Gonzalez > Tiels by Gavrieli," http://m2.facebook.com/Tiels?v=timeline&filter=2&timecutoff=1406427986&page=17§ionLoadingID=m_timeline_loading_div_1293868799_1262332800_8_17&timeend=1293868799×tart=1262332800&tm=AQDOvqhWQPN_Nbwm&refid=17, 1 pg., Jan. 26, 2010.
 "The Shoes Oprah Would Wear to Work (if She Had to Walk)," <http://www.inc.com/30under30/christina-desmarais/kfir-gavrieli-and-elram-gavrieli-founders-of-tiels.html>, 8 pgs., Jul. 2, 2012.
 "Tiels by Gavrieli," http://m2.facebook.com/Tiels?v=timeline&filter=2&timecutoff=1406427986&page=14§ionLoadingID=m_timeline_loading_div_1293868799_1262332800_8_17&timeend=1293868799×tart=1262332800&tm=AQDOvqhWQPN_Nbwm&refid=17, 4 pgs., Jan. 26, 2010.
 "Mighty Life List, Sensible Shoes," <http://mightygirl.com/2010/08/24/sensible-shoes/>, 10 pgs., Aug. 24, 2010.
 "Find! Tiels: Fab & sexy flats for fall," <http://thefabmom.com/2013/08/29/find-tiels-fab-sexy-flats-for-fall/>, 3 pgs., Aug. 29, 2013.
 "Step into Tiels," <http://sliceofpink.typepad.com/blog/2010/09/tiels-1.html>, 5 pgs., Sep. 22, 2010.
 "In Need of Flat-Soles Shoes," <http://sliceofpink.typepad.com/blog/2010/09/tiels-1.html>, 7 pgs., Oct. 3, 2010.
 "Say Hello to the Flat Shoes You Need for Fall . . . All 88 of Them!," Picture of Adam Tucker Shoe/Slipper, <https://www.facebook.com/search/top?q=adam%20shoes%20slipper>, last accessed Oct. 28, 2016, dated Oct. 1, 2013, 1 page.
 Picture of Adam Tucker Rainbow Shoes, <https://www.facebook.com/search/top?q=adam%20shoes%20rainbow>, last accessed Oct. 28, 2016, dated Aug. 14, 2013, 1 page.

* cited by examiner

Primary Examiner — Dominic Simone
 (74) Attorney, Agent, or Firm — Morgan, Lewis & Bockius LLP

(57)

CLAIM

The ornamental design for a shoe with blue outpatch sole, as shown and described.

DESCRIPTION

The file of this patent contains at least one drawing executed in color. Copies of this patent with color drawing(s) will be provided by the Office upon request and payment of the necessary fee.

FIG. 1 is a perspective view of an embodiment of our new design of a shoe with blue outpatch sole;
 FIG. 2 is a first side view of the design of FIG. 1;
 FIG. 3 is a second side view of the design of FIG. 1;
 FIG. 4 is a top view of the design of FIG. 1;
 FIG. 5 is a bottom view of the design of FIG. 1;
 FIG. 6 is a front view of the design of FIG. 1;
 FIG. 7 is a back view of the design of FIG. 1;
 FIG. 8 is a perspective view of another embodiment of our new design of a shoe with blue outpatch sole, where the color portions are indicated using the USPTO convention of horizontal lines for blue;
 FIG. 9 is a first side view of the design of FIG. 8;
 FIG. 10 is a second side view of the design of FIG. 8;
 FIG. 11 is a top view of the design of FIG. 8;
 FIG. 12 is a bottom view of the design of FIG. 8;
 FIG. 13 is a front view of the design of FIG. 8;
 FIG. 14 is a back view of the design of FIG. 8;

FIG. 15 is a perspective view of yet another embodiment of our new design of a shoe with blue outpatch sole, where the color portions are indicated using a cross-hatched pattern to indicate the blue color Pantone 7466C;

FIG. 16 is a first side view of the design of FIG. 15;

FIG. 17 is a second side view of the design of FIG. 15;

FIG. 18 is a top view of the design of FIG. 15;

FIG. 19 is a bottom view of the design of FIG. 15;

FIG. 20 is a front view of the design of FIG. 15; and,

FIG. 21 is a back view of the design of FIG. 15.

The broken lines immediately adjacent to the claimed surfaces represent boundaries of the claimed design. The broken lines and the surfaces bounded by the broken lines form no part of the claimed design.

1 Claim, 18 Drawing Sheets

(5 of 18 Drawing Sheet(s) Filed in Color)

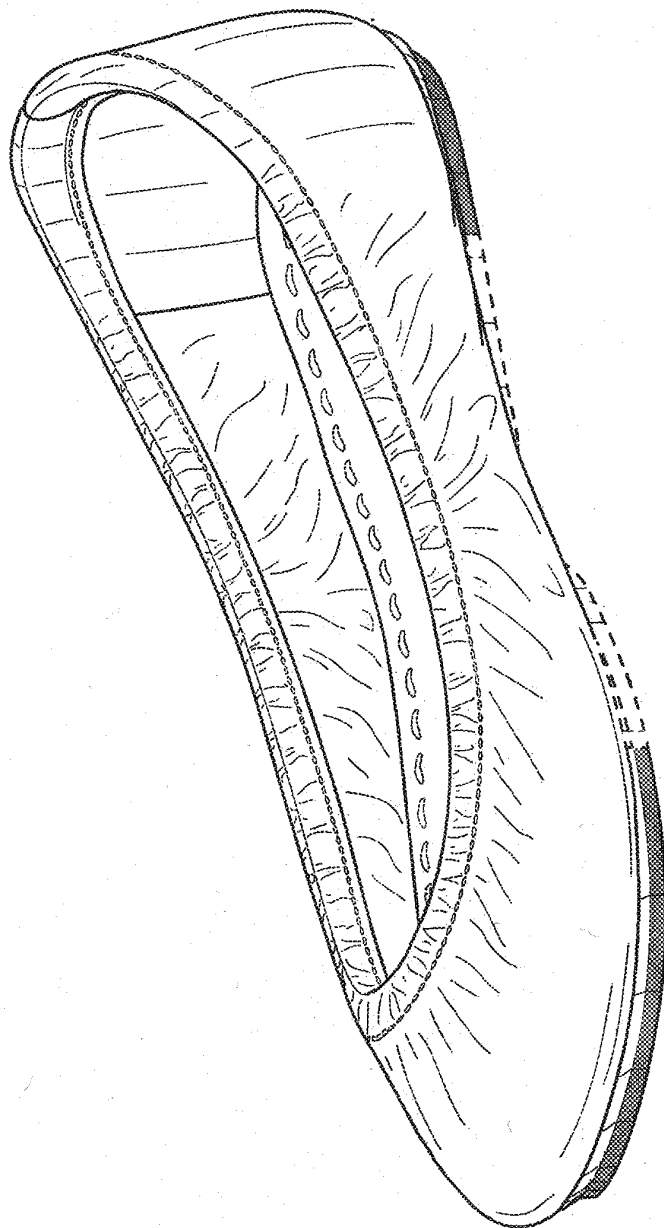


FIG. 1

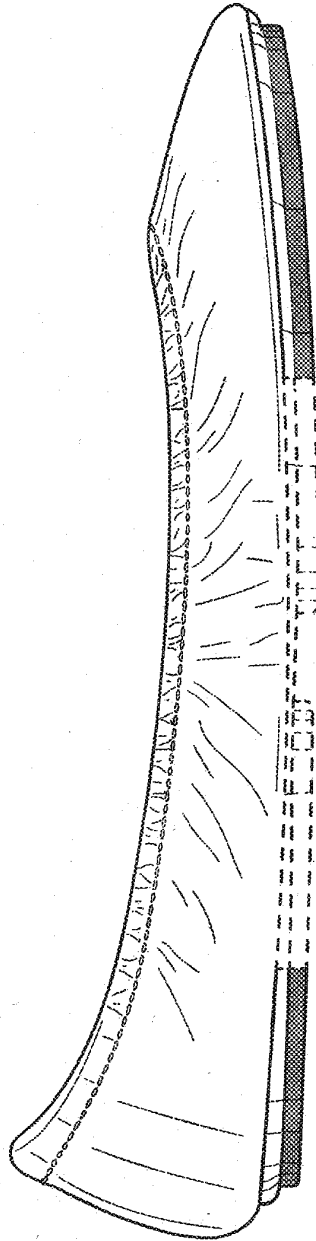


FIG. 2

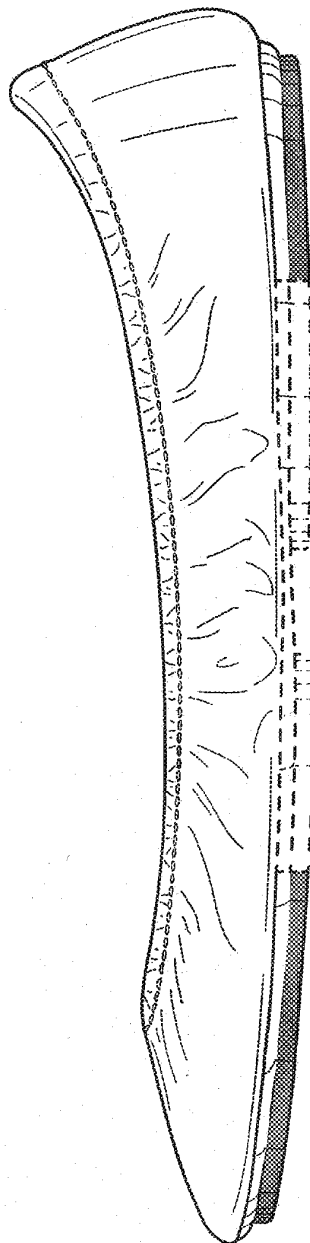


FIG. 3

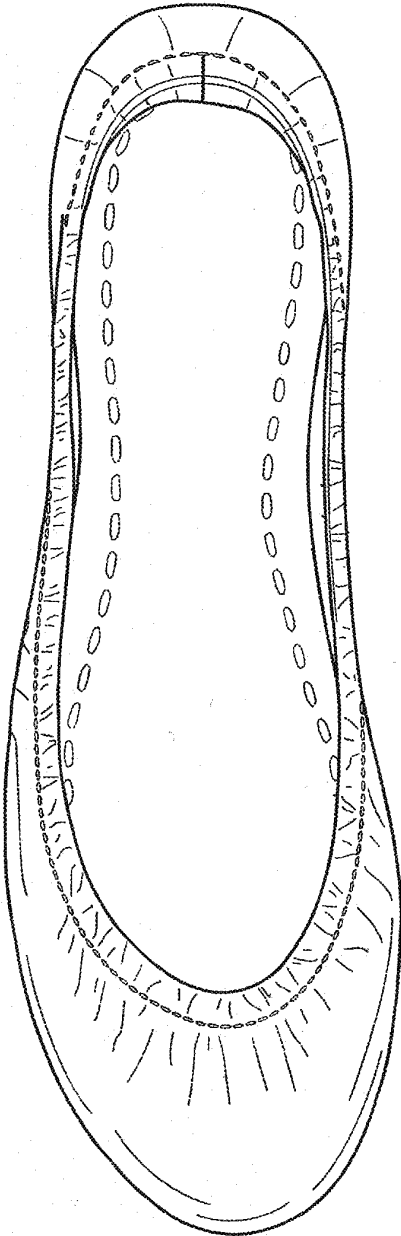


FIG. 4

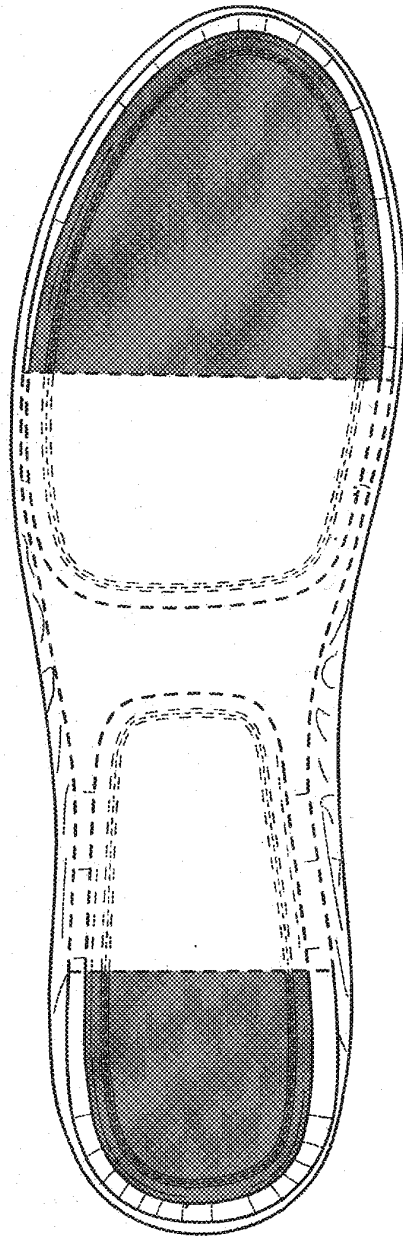


FIG. 5

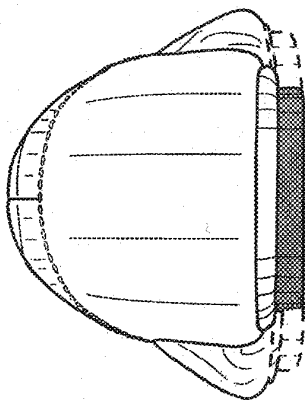


FIG. 7

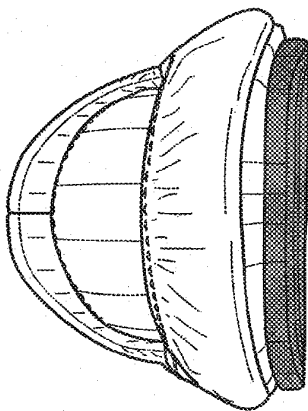


FIG. 6

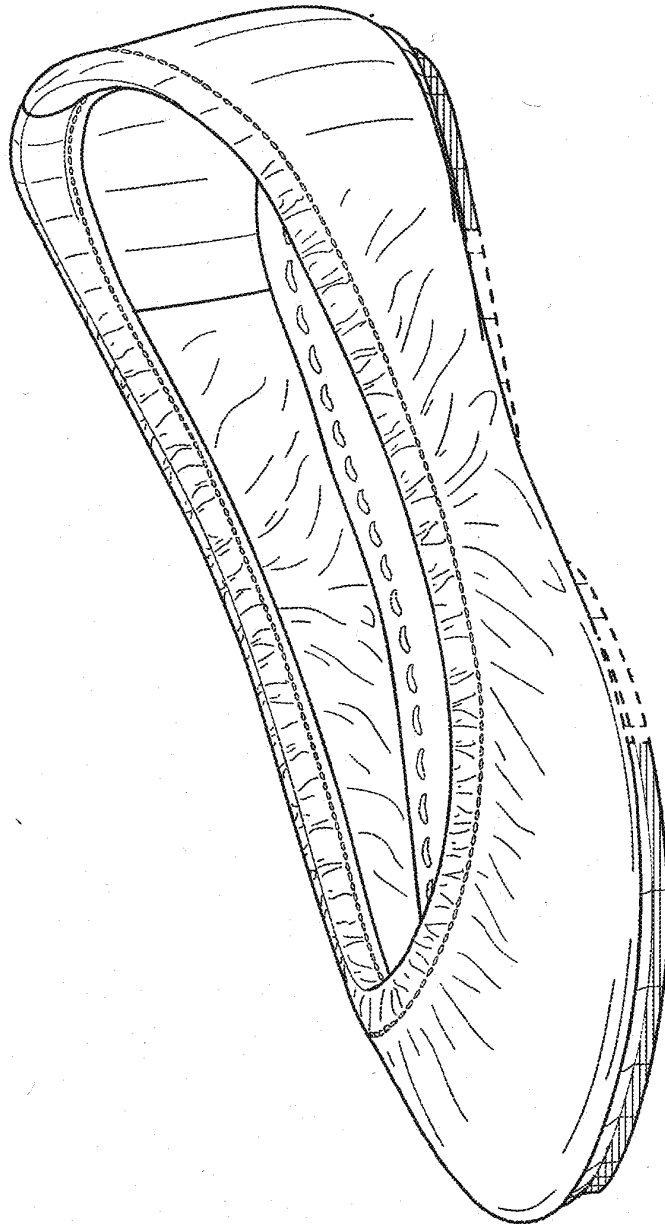


FIG. 8

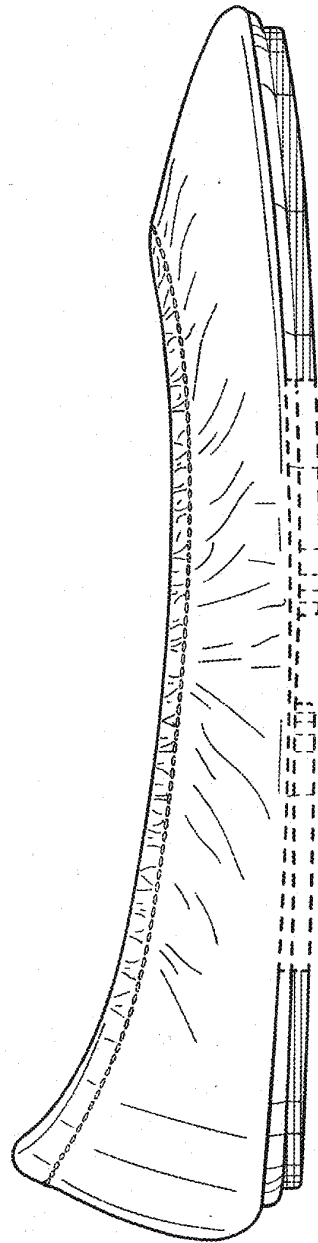


FIG. 9

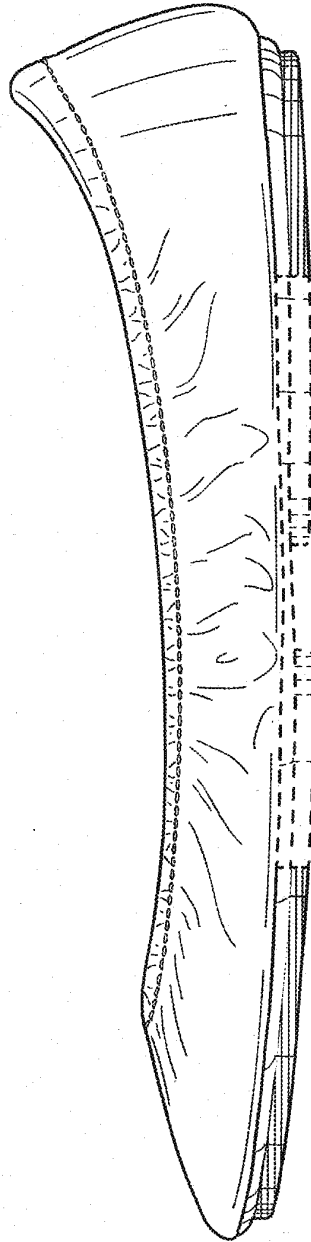


FIG. 10

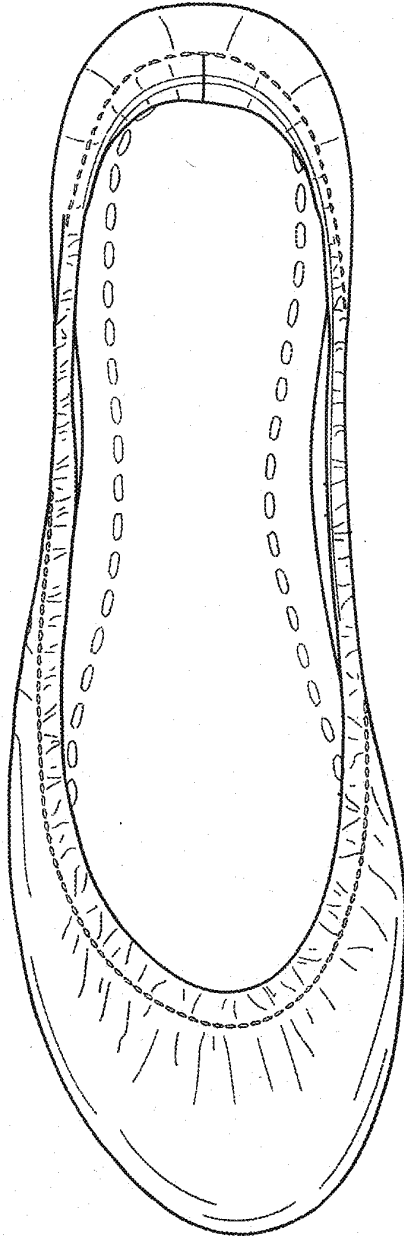


FIG. 11

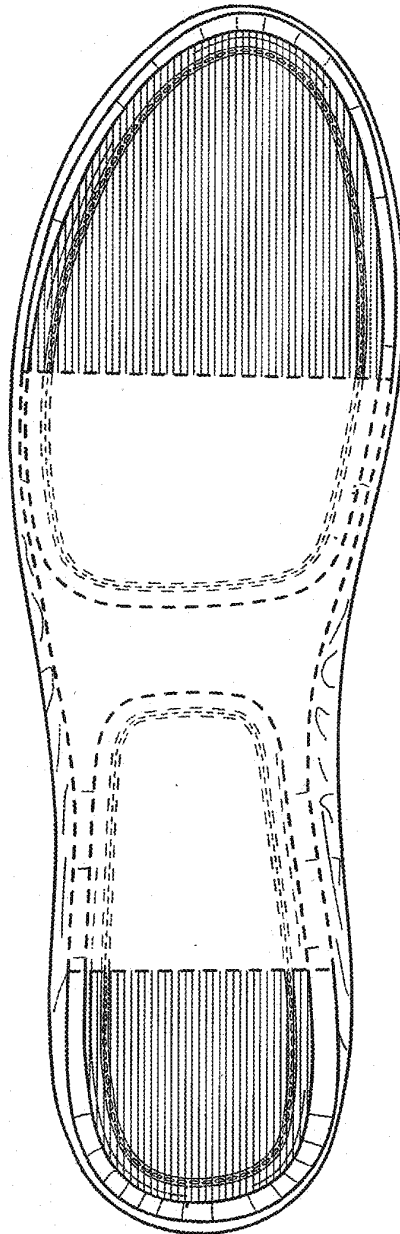


FIG. 12

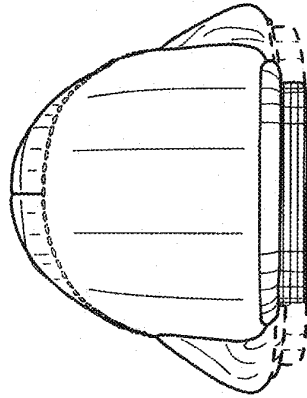


FIG. 14

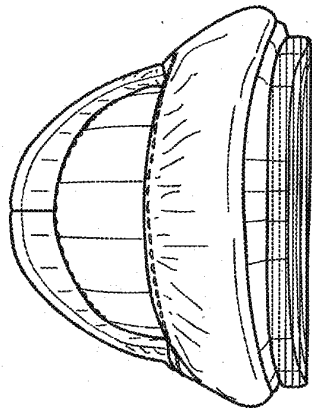


FIG. 13

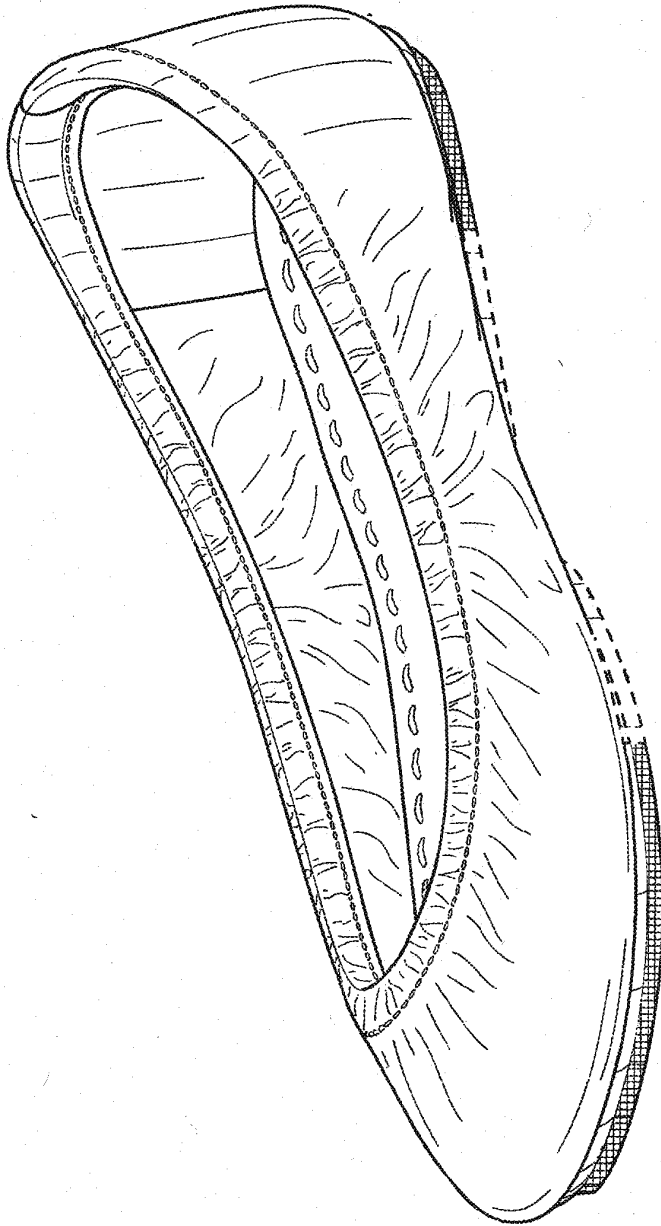


FIG. 15

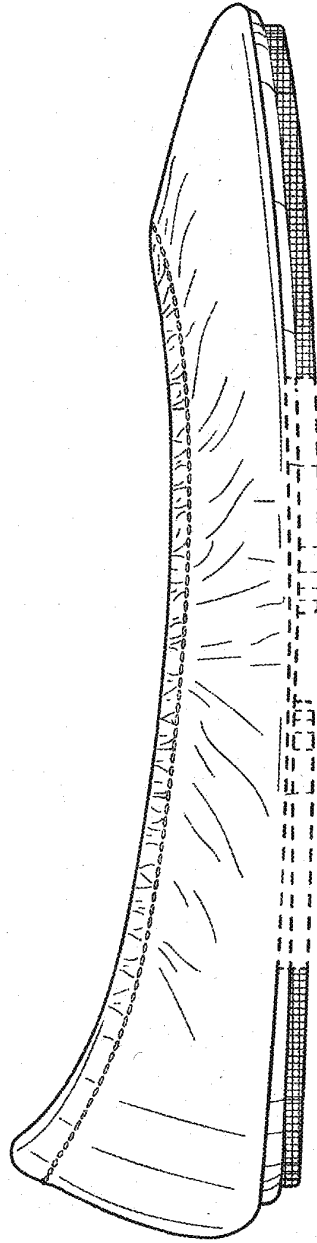


FIG. 16

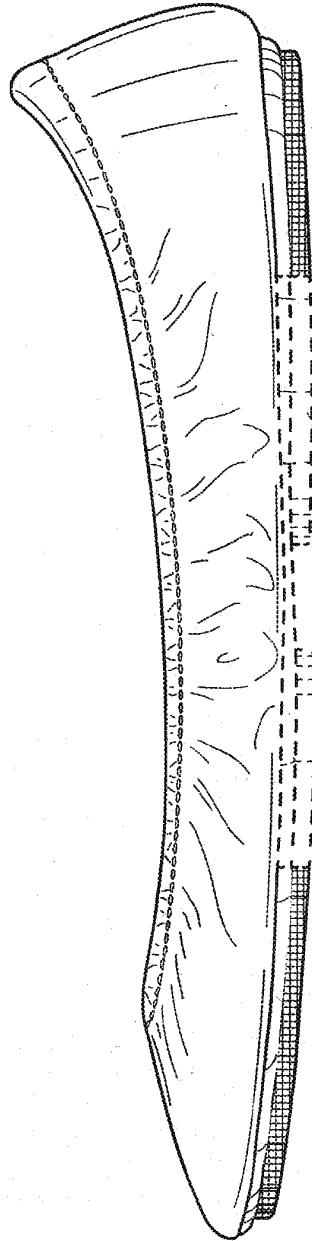


FIG. 17

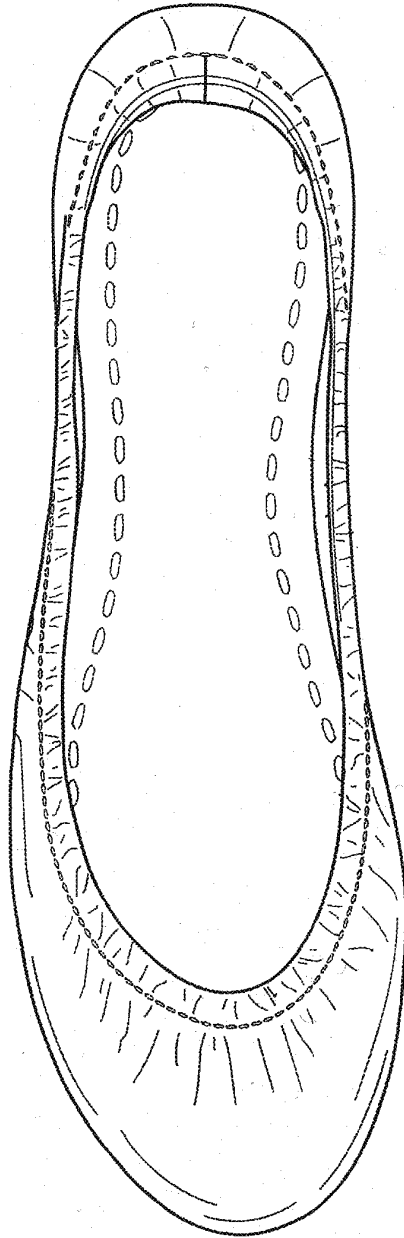


FIG. 18

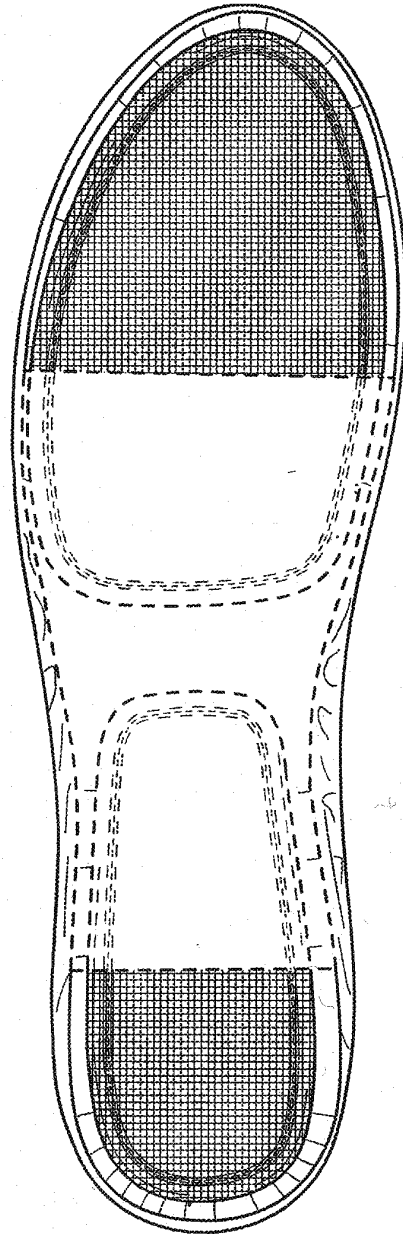


FIG. 19

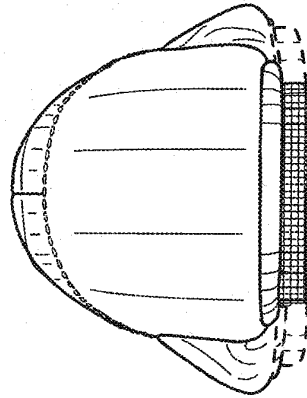


FIG. 21

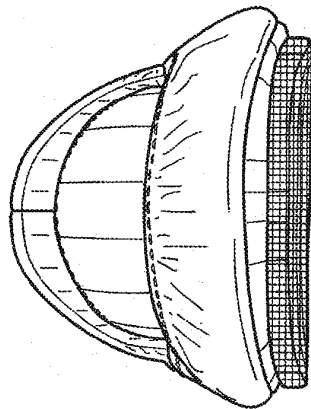


FIG. 20

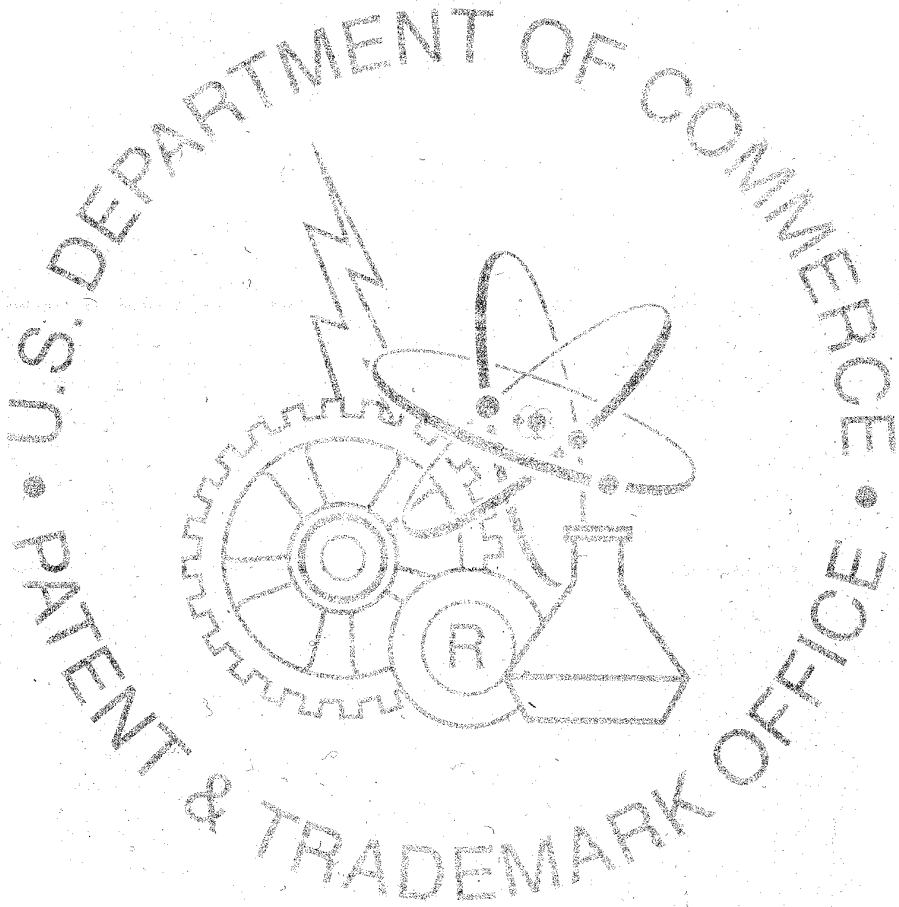
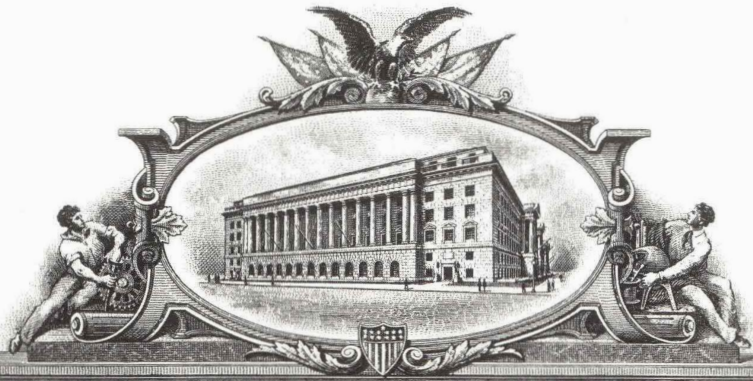


Exhibit C

8509814



THE UNITED STATES OF AMERICA

TO ALL TO WHOM THESE PRESENTS SHALL COME:

UNITED STATES DEPARTMENT OF COMMERCE
United States Patent and Trademark Office

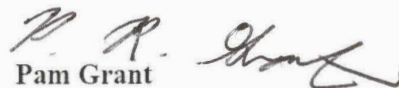
July 31, 2024

THIS IS TO CERTIFY THAT ANNEXED HERETO IS A TRUE COPY FROM
THE RECORDS OF THIS OFFICE OF:

PATENT NUMBER: *D844,950*

ISSUE DATE: *April 9, 2019*

By Authority of the
Under Secretary of Commerce for Intellectual Property
and Director of the United States Patent and Trademark Office


Pam Grant
Certifying Officer





US00D844950S

(12) **United States Design Patent** (10) **Patent No.:** **US D844,950 S**
Gavrieli et al. (45) **Date of Patent:** **** Apr. 9, 2019**

(54) **SHOE WITH BLUE OUTPATCH SOLE**

(56) **References Cited**

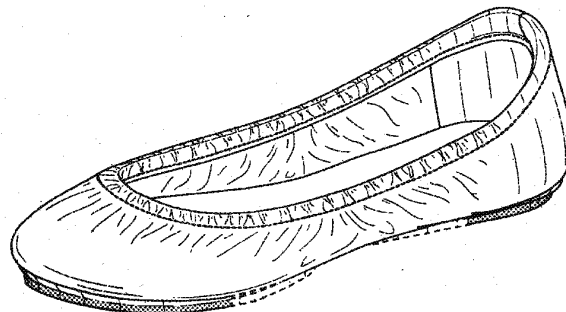
- (71) Applicant: **Gavrieli Brands LLC**, Beverly Hills, CA (US)
- (72) Inventors: **Kfir Gavrieli**, Beverly Hills, CA (US); **Dikla Gavrieli**, Beverly Hills, CA (US)
- (73) Assignee: **Gavrieli Brands LLC**, Beverly Hills, CA (US)
- (**) Term: **15 Years**
- (21) Appl. No.: **29/595,525**
- (22) Filed: **Feb. 28, 2017**

U.S. PATENT DOCUMENTS

249,086 A	11/1881	Pienovi	
773,850 A	11/1904	Cooper et al.	
830,941 A	9/1906	Walden	
1,208,209 A	12/1916	Prince	
1,214,666 A	2/1917	Ford	
1,519,009 A	12/1924	Reina	
1,525,848 A *	2/1925	Bonaventure	A43B 5/12 36/113
1,587,377 A	6/1926	Grosjean	
1,650,466 A	11/1927	Righter	
2,224,590 A	12/1940	Boivin	
2,268,777 A	1/1942	Scholl	
D133,381 S *	9/1942	Harris	D2/939
D133,819 S	9/1942	Harris	
D135,791 S	6/1943	Beebe	
2,323,563 A	7/1943	Nugent	
2,342,882 A	2/1944	Meltzer	
D141,871 S	7/1945	Braun	
2,383,585 A	8/1945	Bindner	
D149,685 S *	5/1948	Sandler	D2/935
D150,729 S *	8/1948	Sandler	D2/923
D166,090 S *	3/1952	Maling	D2/897
2,772,488 A	12/1956	Meltzer	
2,904,814 A	9/1959	Scholl	
3,148,378 A	9/1964	Tibbitts	
D200,897 S *	4/1965	Mitchell	D2/919
D220,464 S	4/1971	Hayoshi	
D247,396 S *	3/1978	Schlerth	D2/939
4,412,393 A	11/1983	Terlizzi, Jr. et al.	
D275,525 S	9/1984	Nakao	
4,674,206 A	6/1987	Lyden	
D295,692 S *	5/1988	Zuidema	D2/950
D300,085 S	3/1989	Ito et al.	
RE33,018 E	8/1989	Ostrander	
4,899,412 A	2/1990	Ganon	
D316,773 S	5/1991	Valle	
5,012,541 A	5/1991	Ganon	
D339,669 S *	9/1993	Miller	D2/919
5,282,326 A	2/1994	Schroer, Jr. et al.	
5,421,050 A	6/1995	Laganas	
5,699,629 A	12/1997	Munschy	
5,746,014 A	5/1998	Tanemoto	
D420,785 S	2/2000	Perez	
6,055,745 A	5/2000	Endoh	
6,076,284 A	6/2000	Terlizzi	
6,189,239 B1	2/2001	Gasparovic et al.	
6,338,207 B1	1/2002	Chang	
D457,292 S *	5/2002	Sessa	D2/949
D461,947 S	8/2002	Merceron	

Related U.S. Application Data

- (63) Continuation of application No. 29/509,269, filed on Nov. 14, 2014, now Pat. No. Des. 781,035, which is a continuation of application No. 14/266,599, filed on Apr. 30, 2014, now Pat. No. 9,398,786, which is a continuation of application No. 13/207,397, filed on Aug. 10, 2011, now Pat. No. 8,745,893.
- (51) **LOC (11) Cl.** **02-04**
- (52) **U.S. Cl.**
USPC **D2/939**
CPC **A43B 3/248** (2013.01); **A43B 3/10** (2013.01); **A43B 3/108** (2013.01); **A43B 3/12** (2013.01); **A43B 3/24** (2013.01); **A43B 5/12** (2013.01); **A43B 9/02** (2013.01); **A43B 13/122** (2013.01); **A43B 13/14** (2013.01); **A43B 13/141** (2013.01); **A43B 13/16** (2013.01); **A43B 13/186** (2013.01); **A43B 23/0245** (2013.01)
- (58) **Field of Classification Search**
USPC D2/896, 900, 919-921, 925, 939, 947, D2/950, 969, 971
CPC A43B 21/00; A43B 21/02; A43B 21/06; A43B 9/14; A43B 1/0045; A43B 13/10; A43B 13/12; A43B 23/06; A43B 23/07; A43B 1/0036; A43B 3/248; A43B 5/12
See application file for complete search history.



US D844,950 S

D476,798 S 7/2003 Reynolds et al.
 6,588,124 B2 7/2003 Morrone
 D498,041 S 11/2004 McClaskie
 D500,191 S * 12/2004 Belley D2/969
 D501,706 S 2/2005 McClaskie
 6,857,203 B2 2/2005 Minden
 6,895,693 B2 5/2005 Baruck
 6,978,557 B2 12/2005 Lee
 7,032,327 B1 4/2006 Tartaglia et al.
 7,036,244 B1 5/2006 Finch
 D527,513 S 9/2006 Della Valle
 D529,513 S * 10/2006 Aketa D15/5
 D531,790 S 11/2006 Wurzburg
 D534,341 S * 1/2007 Choi D2/896
 D542,513 S 5/2007 Amado et al.
 D556,990 S 12/2007 Cabados
 7,337,558 B2 3/2008 Terlizzi et al.
 D567,485 S 4/2008 James
 D570,488 S 6/2008 Kirksey et al.
 D571,084 S 6/2008 Comeau
 D571,548 S 6/2008 Seamans
 D571,989 S 7/2008 Siegal
 D580,640 S 11/2008 Wurzburg
 D582,638 S 12/2008 Ringholz
 7,496,982 B2 3/2009 Clark et al.
 7,506,459 B2 3/2009 Grisoni et al.
 D591,031 S 4/2009 Cofinco
 D593,295 S * 6/2009 Belley D2/969
 D593,297 S * 6/2009 Belley D2/969
 D593,307 S * 6/2009 Belley D2/969
 D599,093 S * 9/2009 Issler D2/925
 D604,030 S 11/2009 Wilson
 D607,194 S 1/2010 Zagula
 D610,332 S 2/2010 Raichle
 D610,785 S 3/2010 Smith
 D612,140 S 3/2010 Moon
 D612,141 S 3/2010 Moon
 7,694,435 B1 4/2010 Kiser et al.
 D615,737 S 5/2010 Feller
 7,735,244 B1 6/2010 Ameche
 7,743,530 B2 6/2010 Truelsen
 D618,891 S 7/2010 McClaskie
 7,757,408 B2 7/2010 McClaskie
 D630,829 S 1/2011 Weisner
 D632,881 S 2/2011 Rosenberg
 7,926,203 B2 4/2011 Wilkenfeld
 7,966,747 B2 6/2011 Wilkenfeld et al.
 D640,861 S 7/2011 Wilkenfeld
 8,020,320 B2 9/2011 Gillespie
 8,127,468 B2 3/2012 Morgan
 D657,543 S 4/2012 Bove
 D659,960 S 5/2012 Bizzo
 8,230,619 B2 7/2012 Salvatelli
 D664,755 S 8/2012 Gavrieli et al.
 D665,157 S 8/2012 Wu
 8,240,067 B2 8/2012 Sussmann
 8,245,420 B2 8/2012 Wilson
 D668,027 S 10/2012 Millieret
 D668,438 S 10/2012 Millieret
 D668,847 S * 10/2012 Gavrieli D2/925
 D668,848 S * 10/2012 Gavrieli D2/925
 D668,849 S 10/2012 Pozzi
 D668,850 S 10/2012 Pozzi
 D672,542 S 12/2012 Gray et al.
 D676,634 S * 2/2013 Gavrieli D2/925
 D681,927 S * 5/2013 Gavrieli D2/925
 D681,928 S * 5/2013 Gavrieli D2/925
 D681,929 S * 5/2013 Gavrieli A43B 3/248
 D2/939
 D683,936 S * 6/2013 Gavrieli D2/925
 8,468,723 B2 6/2013 Malka-Harari
 8,510,975 B2 8/2013 Krikelis
 D688,853 S * 9/2013 Gavrieli A43B 3/248
 D2/939
 D688,854 S * 9/2013 Gavrieli A43B 3/248
 D2/939
 D688,855 S * 9/2013 Gavrieli A43B 3/248
 D2/939

D689,270 S * 9/2013 Gavrieli A43B 3/248
 D2/939
 D689,271 S * 9/2013 Gavrieli A43B 3/248
 D2/939
 D689,272 S * 9/2013 Gavrieli A43B 3/248
 D2/939
 D690,914 S * 10/2013 Gavrieli A43B 3/248
 D2/939
 D690,915 S * 10/2013 Gavrieli A43B 3/248
 D2/939
 D696,500 S 12/2013 Hunt
 D699,424 S 2/2014 Hamm
 8,661,714 B2 3/2014 Sussman
 8,745,893 B2 * 6/2014 Gavrieli A43B 3/248
 36/8.3
 8,973,287 B2 3/2015 Shibata
 9,398,786 B2 * 7/2016 Gavrieli A43B 3/248
 D781,035 S * 3/2017 Gavrieli A43B 3/248
 D2/939
 2002/0078591 A1 6/2002 Morrone
 2002/0129519 A1 9/2002 Cahan
 2003/0070319 A1 4/2003 Minden
 2003/0121176 A1 7/2003 Baruck
 2004/0025377 A1 2/2004 Brannon
 2005/0022421 A1 2/2005 Bruckner
 2005/0115115 A1 6/2005 Lacey
 2005/0217148 A1 10/2005 Connolly et al.
 2005/0262734 A1 12/2005 Cheng
 2006/0086005 A1 4/2006 Yerian
 2006/0156576 A1 7/2006 Sloan
 2007/0074424 A1 4/2007 Lin
 2007/0204482 A1 9/2007 Gibson-Collinson
 2007/0204483 A1 9/2007 Kirsch et al.
 2008/0052964 A1 3/2008 Taylor
 2008/0086912 A1 4/2008 Wilkenfeld
 2008/0110059 A1 5/2008 Kuramoto et al.
 2009/0019732 A1 1/2009 Sussmann
 2009/0193685 A1 8/2009 Wilson
 2009/0205222 A1 8/2009 Mclinden
 2009/0272009 A1 11/2009 Weisner et al.
 2010/0011625 A1 1/2010 Percival
 2010/0018080 A1 1/2010 Smith
 2010/0050469 A1 3/2010 Chen
 2010/0095557 A1 4/2010 Jarvis
 2010/0115793 A1 5/2010 Kraisosky
 2010/0122475 A1 5/2010 Purrington
 2010/0146822 A1 6/2010 MacGregor
 2010/0212186 A1 8/2010 Cheng
 2010/0275462 A1 11/2010 Pucci
 2010/0281713 A1 11/2010 Pantazes
 2015/0089843 A1 4/2015 Gavrieli

FOREIGN PATENT DOCUMENTS

DE	20 2006 000230 U1	5/2007
GB	2443937 A	5/2008
GB	2 446 205 A	8/2008
TW	D119165	10/2007

OTHER PUBLICATIONS

Examination Report for AU 341324, 3 pgs., dated Oct. 24, 2012.
 Letter from TMI and Associates with Office Action, 2 pgs, dated Sep. 19, 2012 <http://www.payless.com/store/?&TLC=Womens&SLC=WomensNewArrivals&BLC=WomensNewArrivalsNewArrivals&With+Regular&ItemCode=60131&LotNumber=062642&Type=Adult&Popularity=637&Descriptvein>.
 Taiwanese Office Action for TW 101300726, 10 pgs., dated Sep. 6, 2012.
 "The Love List, Tieks by Gavrieli--Foldable Ballet Flats," <http://thelovelist-carly.blogspot.com.au/2010/09/tieks-by-gavrieli-foldable-ballet.html>, 3 pgs., Sep. 12, 2010.
 "Tieks by Gavrieli," <http://tieks.com>, 1 pg., retrieved Mar. 13, 2013 from URL.
 "Try It Mummy!, Tieks by Gavrieli," <http://tryitmummy.blogspot.com.au/2010/12/tieks-by-gavrieli.html>, 4 pgs., Dec. 9, 2010.

"Wearability—Real People Style, What came first, the City Flat or the Ties," <http://wearability.posterous.com/what-came-first-the-city-flat-or-the-ties>, 4 pgs., Aug. 29, 2010.

"The Ballet Flat . . . Reinvented; Ballet Flats . . . with a Bonus; Step Into Ties; Going Places? Take Ties," <http://web.archive.org/web/2010052004346/http://www.ties.com/>; 4 pgs., May 24, 2010.

"Ties—Comfortable designer flats you can fit in your purse and wear all day, every day," <http://web.archive.org/web/201107311555/http://ties.com/>; 6 pgs., Jul. 31, 2011.

"58th Annual Emmy Awards," http://spoonsforksandfashion.blogspot.com/2006_08_01_archive.html, depicting Nine West flats, 11 pgs., Aug. 1, 2006.

Pictures of Nine West flats sold in 2006, 3 pgs.

"I Love a Good Ballet Flat!," <http://dressupfiles.com/i-love-a-good-ballet-flat>, depicting Sue London flats, 4 pgs., Sep. 3, 2010.

Pictures of Sue London flats sold in 2010, 2 pgs.

"Miss Cathie Reviews: The Yosi Samra Foldable Ballet Flat . . .," <http://www.misscathie.com/2010/01/miss-cathie-reviews-the-yosi-samra-foldable-ballet-flat>, depicting Yosi Samra flats, 7 pgs., Jan. 2010.

Pictures of Yosi Samra flats sold in 2010, 2 pgs.

"Goodbye two thousand ten," http://emmajoyrussell.blogspot.com/2010_12_01_archive.html, depicting Gap flats, 39 pgs., Dec. 1, 2010.

Pictures of Gap flats available for sale in 2010, 9 pgs.

"Our newest design of folding flats—Pink," <https://fitinclouds.wordpress.com/2010/05/16/our-newest-design-of-folding-flats-pink/>, depicting Fit in Clouds flats, 1 pg., May 16, 2010.

"Fit in Clouds Satin Folding Shoes," <http://www.goodhousekeeping.com/product-reviews/clothing/best-ballet-flats/fit-in-clouds-satin-foldable-ballet-flats>, depicting Fit in Clouds flats, 1 pg., Aug. 2013.

Pictures of Fit in Clouds flats available for sale in 2011, 4 pgs.

"Shoes for Standing," <https://truthinshoes.wordpress.com/2008/07/depicting-Sam-Libby-flats>, 2 pgs., Jul. 31, 2008.

"Target Designer Collaboration: Announcing Sam & Libby Shoes for Target," <http://www.therecessionista.com/2012/11/target-designer-collaboration-announcing-sam-libby-shoes-for-target.html>, depicting Sam & Libby flats, 1 pg., Nov. 26, 2012.

Pictures of Sam & Libby flats available for purchase in 2011, 5 pgs.

"Save your soles with Citisoles ballet flats," <http://glamazondiaris.com/2009/07/save-your-soles-with-citisoles-ballet-flats>, depicting Citisoles flats, 3 pgs., Jul. 2009.

Pictures of Citisoles flats available for purchase in 2009, 3 pgs.

"#16 Corso Como Delicious Pumps Review and Giveaway!," <http://mommatoldmeblog.com/2011/01/16-corso-como-delicious-pumps-review.html>, depicting Corso Como flats, 8 pgs., Jan. 16, 2011.

Pictures of Corso Como flats available for sale in 2011, 3 pgs.

"jil-sander-navy-lead-ballet-flats-product . . .," www.ebay.com, depicting Jil Sander flats, 4 pgs., Nov. 2013.

Pictures of Jil Sander flats available for sale in 2011, 3 pgs.

"Spare Soles: Shoes That Roll-up & Fold-up," <http://herpackinglist.com/2011/01/spare-soles-shoes/>, depicting Spare Soles flats, 2 pgs., Jan. 2011.

Pictures of Spare Soles flats available for sale in 2011, 5 pgs.

The Original Rollable, Foldable ballet flats with matching wristlet—Spare Soles, <http://herpackinglist.com/2011/01/spare-soles-shoes/>, depicting Roll-Upz Spare Soles flats, 2 pgs., Jan. 2011.

Pictures of Roll-Upz by Spare Soles flats available for sale in 2011, 6 pgs.

"The Cutest Blog, Preppy 50 and Loving Lilly, Ballet Flat Delight," <http://preppy50andlovinglilly.blogspot.com/2011/02/ballet-flat-delight.html>, depicting Henri Bendel flats, 13 pgs., Feb. 19, 2011.

Pictures of Henri Bendel flats available for sale in 2011, 4 pgs.

"Mumsnet by parents for parents," http://www.mumsnet.com/Talk/style_and_beauty/a1612000-Anyone-tried-Redfoot-Flatmates-foldable-ballet-pumps, depicting Redfoot Flatmates flats, 1 pg., Nov. 14, 2012.

Pictures of Redfoot Flatmates flats available for sale in 2011, 6 pgs.

"Amazon.com: Customer Reviews: Bloch London Women's Lux Ballet Flat," <http://www.amazon.com/Bloch-London-Womens-Ballet-Flat/product-reviews/B004LWP7YW>, depicting Bloch London flats, 4 pgs., Dec. 11, 2011.

Pictures of Bloch London flats offered for sale in 2011, 11 pgs.

"h&m foldable leopard print flat," <http://845shops.wordpress.com/2011/06/16/flats-for-7-bucks/shoe1/>, depicting h&m flats, 3 pgs., Jun. 16, 2011.

Pictures of h&m foldable flats offered for sale in 2011, 4 pgs.

"Seekyt—Juicy Couture Ballet Flats—Are They Worth the Money?," <http://seekyt.com/juicy-couture-ballet-flats-are-they-worth-the-money/>, 14 pgs., Jun. 3, 2011.

Pictures of Juicy Couture flats offered for sale in 2011, 3 pgs.

"Purse Flats," <http://purseflats.wordpress.com>, depicting Purse Flats by Erica Wilson, 3 pgs., Jul. 12, 2012.

Pictures of Purse Flats by Erica Wilson offered for sale in 2011, 6 pgs.

"Splash Page," <http://web.archive.org/web/20100524004346/http://www.ties.com/>, 4 pgs., May 24, 2010.

"Ties by Gavrieli—Comfortable, designer flats you can fit in your purse and wear all day . . .," <http://web.archive.org/web/20110202210649/http://www.ties.com/>, 8 pgs., Feb. 2, 2011.

"Carolina M. M. Gonzalez > Ties by Gavrieli," http://m2.facebook.com/Ties?v=timeline&filter=2&timecutoff=1406427986&page=17§ionLoadingID=m_timeline_loading_div_1293868799_1262332800_8_17&timeend=1293868799×tart=1262332800&tm=AQDOvqhWQPN_Nbwm&refid=17, 1 pg. Jan. 26, 2010.

"The Shoes Oprah Would Wear to Work (if She Had to Walk)," <http://www.inc.com/30under30/christina-desmarais/kfir-gavrieli-and-elram-gavrieli-founders-of-ties.html>, 8 pgs., Jul. 2, 2012.

"Ties by Gavrieli," http://m2.facebook.com/Ties?v=timeline&filter=2&timecutoff=1406427986&page=14§ionLoadingID=m_timeline_loading_div_1293868799_1262332800_8_14&timeend=1293868799×tart=1262332800&tm=AQDOvqhWQPN_Nbwm&refid=17, 4 pgs., Jan. 26, 2010.

"Mighty Life List, Sensible Shoes," <http://mightygirl.com/2010/08/24/sensible-shoes/>, 10 pgs., Aug. 24, 2010.

"Find! Ties: Fab & sexy flats for fall," <http://thefabmom.com/2013/08/29/find-ties-fab-sexy-flats-for-fall/>, 3 pgs. Aug. 29, 2013.

"Step into Ties," <http://sliceofpink.typepad.com/blog/2010/09/ties-1.html>, 5 pgs., Sep. 22, 2010.

"In Need of Flat-Soled Shoes," <http://sliceofpink.typepad.com/blog/2010/09/ties-1.html>, 7 pgs., Oct. 3, 2010.

"Say Hello to the Flat Shoes You Need for Fall . . . All 88 of Them!," Picture of Adam Tucker Shoe/Slipper, <https://www.facebook.com/search/top?q=adam%20shoes%20slipper>, last accessed Oct. 28, 2016, dated Oct. 1, 2013, 1 page.

Picture of Adam Tucker Rainbow Shoes, <https://www.facebook.com/search/top?q=adam%20shoes%20rainbow>, last accessed Oct. 28, 2016, dated Aug. 14, 2013, 1 page.

* cited by examiner

Primary Examiner — Dominic V Simone

(74) Attorney, Agent, or Firm — Morgan, Lewis & Bockius LLP

(57)

CLAIM

An ornamental design for a shoe with blue outpatch sole, as shown and described.

DESCRIPTION

The file of this patent contains at least one drawing executed in color. Copies of this patent with color drawing(s) will be provided by the Office upon request and payment of the necessary fee.

FIG. 1 is a perspective view of an embodiment of our new design of a shoe with blue outpatch sole;

FIG. 2 is a first side view of the design of FIG. 1;

FIG. 3 is a second side view of the design of FIG. 1;

FIG. 4 is a top view of the design of FIG. 1;

FIG. 5 is a bottom view of the design of FIG. 1;

FIG. 6 is a front view of the design of FIG. 1;

FIG. 7 is a back view of the design of FIG. 1;
 FIG. 8 is a perspective view of another embodiment of our new design of a shoe with blue outpatch sole;
 FIG. 9 is a first side view of the design of FIG. 8;
 FIG. 10 is a second side view of the design of FIG. 8;
 FIG. 11 is a top view of the design of FIG. 8;
 FIG. 12 is a bottom view of the design of FIG. 8;
 FIG. 13 is a front view of the design of FIG. 8;
 FIG. 14 is a back view of the design of FIG. 8;
 FIG. 15 is a perspective view of another embodiment of our new design of a shoe with blue outpatch sole;
 FIG. 16 is a first side view of the design of FIG. 15;
 FIG. 17 is a second side view of the design of FIG. 15;
 FIG. 18 is a top view of the design of FIG. 15;
 FIG. 19 is a bottom view of the design of FIG. 15;
 FIG. 20 is a front view of the design of FIG. 15;
 FIG. 21 is a back view of the design of FIG. 15;
 FIG. 22 is a perspective view of another embodiment of our new design of a shoe with blue outpatch sole;
 FIG. 23 is a first side view of the design of FIG. 15;
 FIG. 24 is a second side view of the design of FIG. 15;
 FIG. 25 is a top view of the design of FIG. 15;
 FIG. 26 is a bottom view of the design of FIG. 15;
 FIG. 27 is a front view of the design of FIG. 15; and
 FIG. 28 is a back view of the design of FIG. 15;
 FIG. 29 is a perspective view of another embodiment of our new design of a shoe with blue outpatch sole;
 FIG. 30 is a first side view of the design of FIG. 29;
 FIG. 31 is a second side view of the design of FIG. 29;
 FIG. 32 is a top view of the design of FIG. 29;
 FIG. 33 is a bottom view of the design of FIG. 29;
 FIG. 34 is a front view of the design of FIG. 29; and
 FIG. 35 is a back view of the design of FIG. 29;
 FIG. 36 is a perspective view of another embodiment of our new design of a shoe with blue outpatch sole;
 FIG. 37 is a first side view of the design of FIG. 36;
 FIG. 38 is a second side view of the design of FIG. 36;
 FIG. 39 is a top view of the design of FIG. 36;
 FIG. 40 is a bottom view of the design of FIG. 36;
 FIG. 41 is a front view of the design of FIG. 36;
 FIG. 42 is a back view of the design of FIG. 36;
 FIG. 43 is a perspective view of another embodiment of our new design of a shoe with blue outpatch sole;
 FIG. 44 is a first side view of the design of FIG. 43;
 FIG. 45 is a second side view of the design of FIG. 43;
 FIG. 46 is a top view of the design of FIG. 43;
 FIG. 47 is a bottom view of the design of FIG. 43;
 FIG. 48 is a front view of the design of FIG. 43;
 FIG. 49 is a back view of the design of FIG. 43;
 FIG. 50 is a perspective view of another embodiment of our new design of a shoe with blue outpatch sole;
 FIG. 51 is a first side view of the design of FIG. 50;
 FIG. 52 is a second side view of the design of FIG. 50;
 FIG. 53 is a top view of the design of FIG. 50;
 FIG. 54 is a bottom view of the design of FIG. 50;
 FIG. 55 is a front view of the design of FIG. 50; and
 FIG. 56 is a back view of the design of FIG. 50;
 FIG. 57 is a perspective view of another embodiment of our new design of a shoe with blue outpatch sole;

FIG. 58 is a first side view of the design of FIG. 57;
 FIG. 59 is a second side view of the design of FIG. 57;
 FIG. 60 is a top view of the design of FIG. 57;
 FIG. 61 is a bottom view of the design of FIG. 57;
 FIG. 62 is a front view of the design of FIG. 57;
 FIG. 63 is a back view of the design of FIG. 57;
 FIG. 64 is a perspective view of another embodiment of our new design of a shoe with blue outpatch sole;
 FIG. 65 is a first side view of the design of FIG. 64;
 FIG. 66 is a second side view of the design of FIG. 64;
 FIG. 67 is a top view of the design of FIG. 64;
 FIG. 68 is a bottom view of the design of FIG. 64;
 FIG. 69 is a front view of the design of FIG. 64;
 FIG. 70 is a back view of the design of FIG. 64;
 FIG. 71 is a perspective view of another embodiment of our new design of a shoe with blue outpatch sole;
 FIG. 72 is a first side view of the design of FIG. 71;
 FIG. 73 is a second side view of the design of FIG. 71;
 FIG. 74 is a top view of the design of FIG. 71;
 FIG. 75 is a bottom view of the design of FIG. 71;
 FIG. 76 is a front view of the design of FIG. 71; and
 FIG. 77 is a back view of the design of FIG. 71;
 FIG. 78 is a perspective view of another embodiment of our new design of a shoe with blue outpatch sole;
 FIG. 79 is a first side view of the design of FIG. 78;
 FIG. 80 is a second side view of the design of FIG. 78;
 FIG. 81 is a top view of the design of FIG. 78;
 FIG. 82 is a bottom view of the design of FIG. 78;
 FIG. 83 is a front view of the design of FIG. 78; and
 FIG. 84 is a back view of the design of FIG. 78;
 FIG. 85 is a perspective view of another embodiment of our new design of a shoe with blue outpatch sole, where the checkered pattern is used to indicate portions that are colored any blue color within the range of Pantone PMS 282, 288, 290, 291, 293-314, 317-320, 325-336, 628-662, 2702- 2708, or 2717- 2718, the blue color Pantone PMS 2727, the blue color Pantone PMS 2728, the blue color Pantone PMS 2747, the blue color Pantone PMS 2748, the blue color Pantone PMS 2757, the blue color Pantone PMS 2758, the blue color Pantone PMS 2767, the blue color Pantone PMS 2768, any blue color within the range Pantone PMS 3005 - Pantone PMS 3165, the blue color Pantone PMS 801, the blue color Pantone PMS 808, any blue color within the range Pantone PMS 5395 - Pantone PMS 5435, Pantone PMS 7473 - Pantone PMS 7477, Pantone PMS 7541 - 7547, RAL 5000 - RAL 5005, RAL 5007 - RAL 5015, or RAL 5017 - RAL 2026;
 FIG. 86 is a first side view of the design of FIG. 85;
 FIG. 87 is a second side view of the design of FIG. 85;
 FIG. 88 is a top view of the design of FIG. 85;
 FIG. 89 is a bottom view of the design of FIG. 85;
 FIG. 90 is a front view of the design of FIG. 85; and,
 FIG. 91 is a back view of the design of FIG. 85.
 The broken lines immediately adjacent to the claimed surfaces represent boundaries of the claimed design. The broken lines and the surfaces bounded by the broken lines form no part of the claimed design.

1 Claim, 78 Drawing Sheets
(60 of 78 Drawing Sheet(s) Filed in Color)

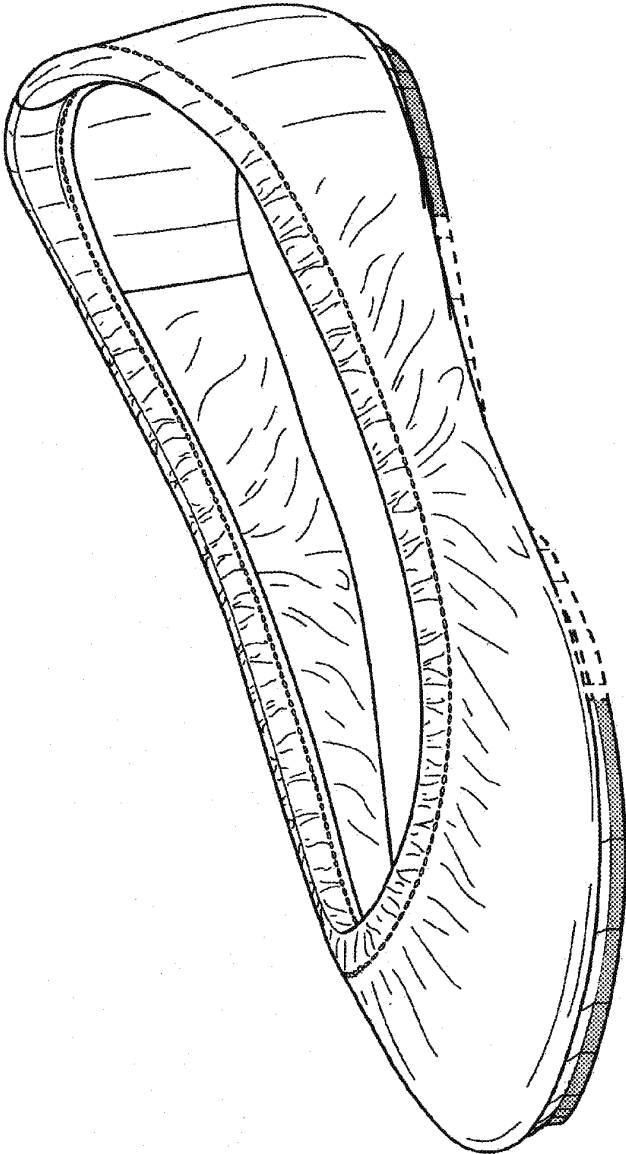


FIG. 1

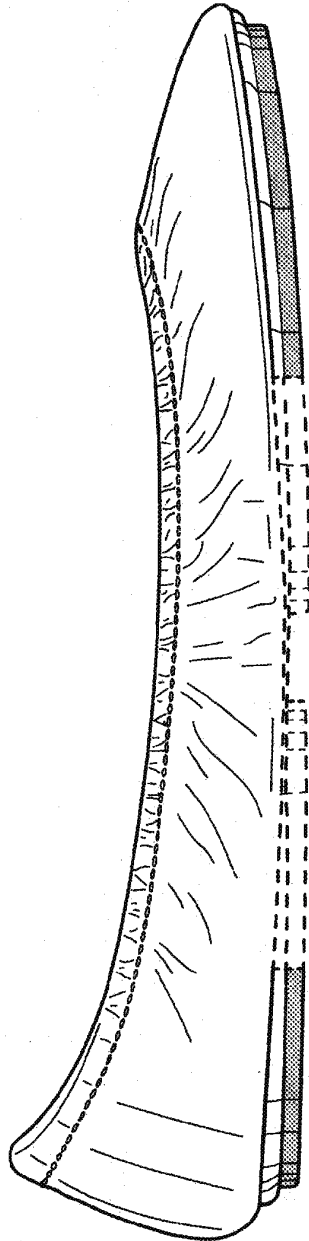


FIG. 2

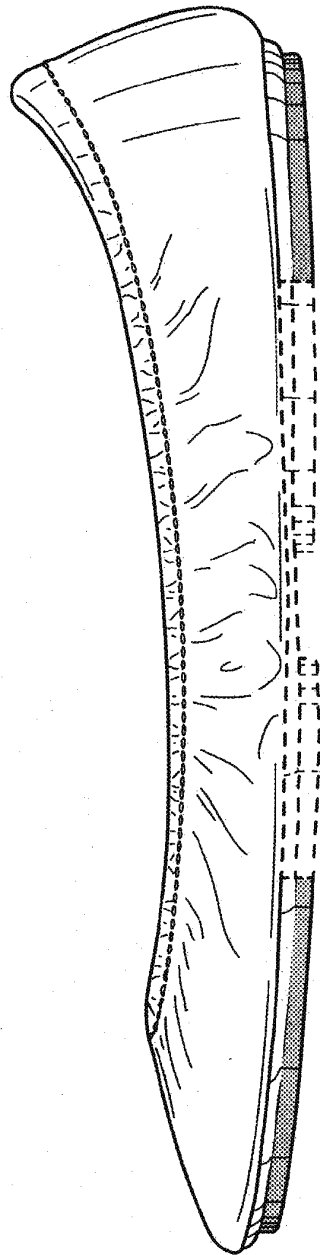


FIG. 3

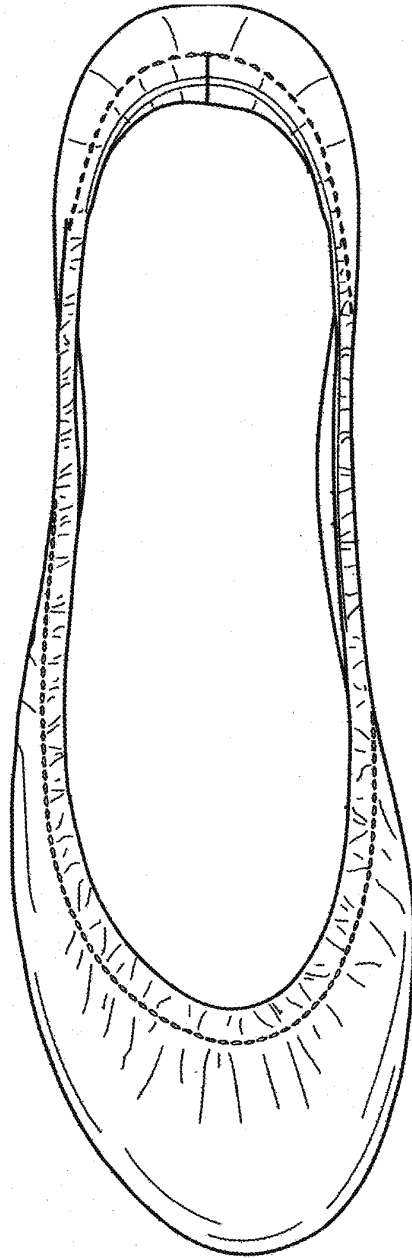


FIG. 4

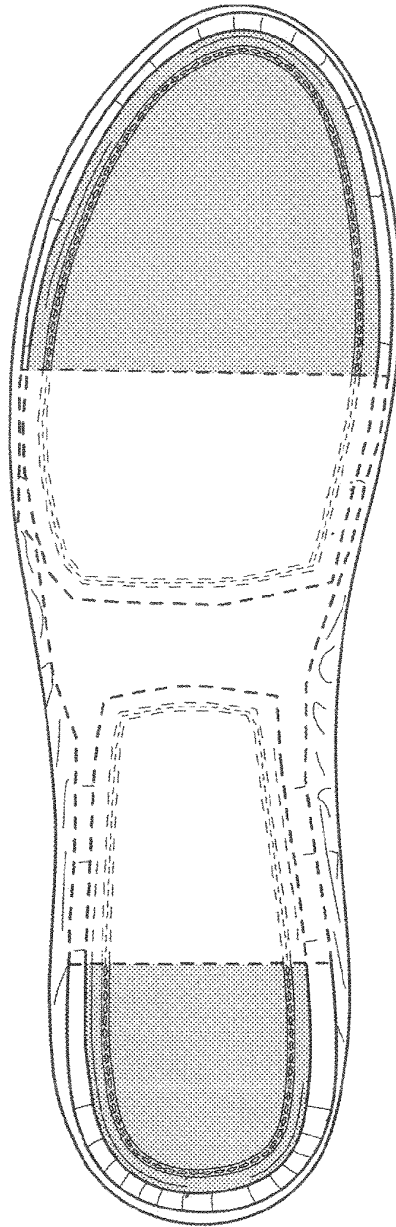


FIG. 5

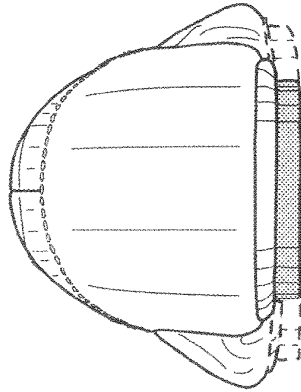


FIG. 7

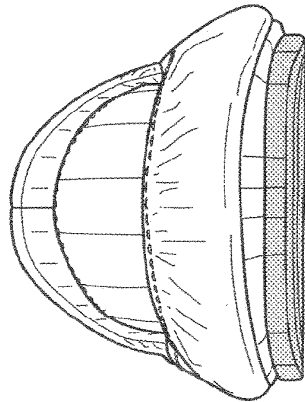


FIG. 6

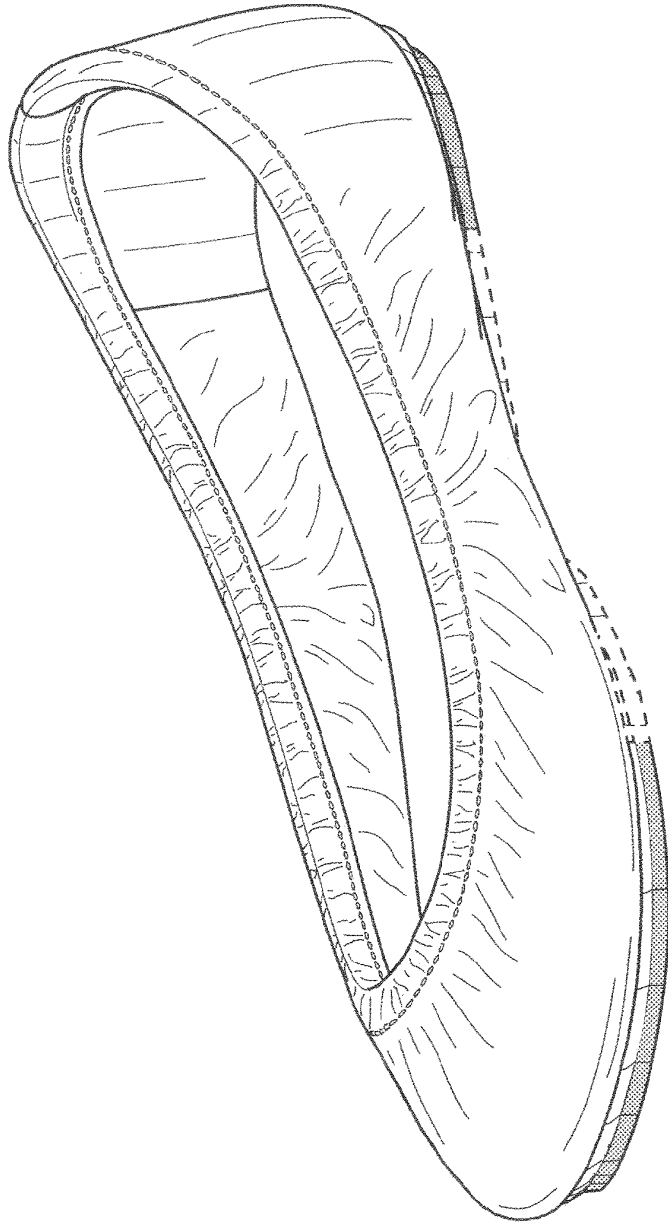


FIG. 8

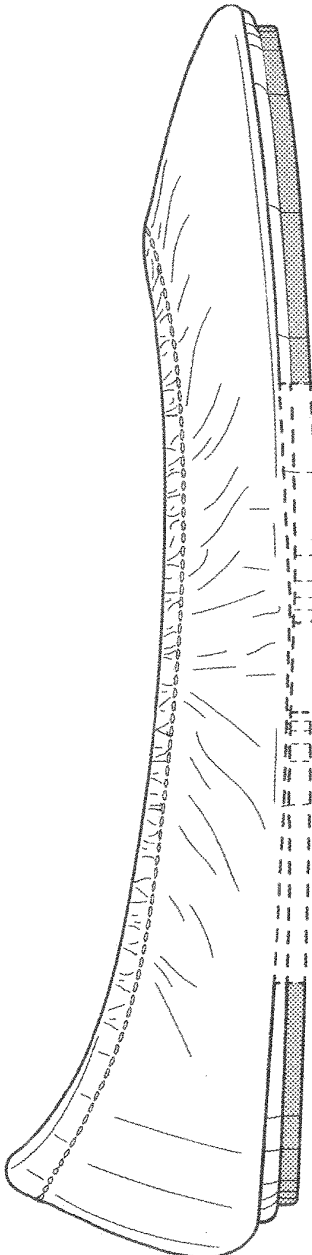


FIG. 9

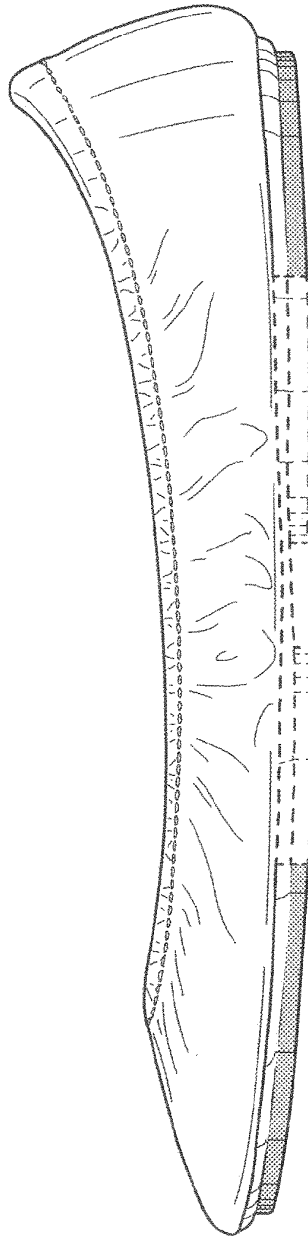


FIG. 10

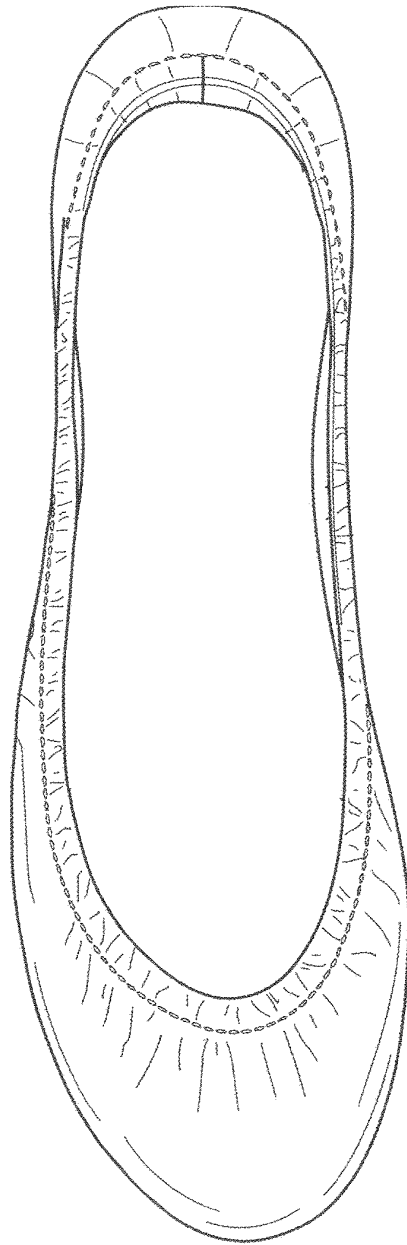


FIG. 11

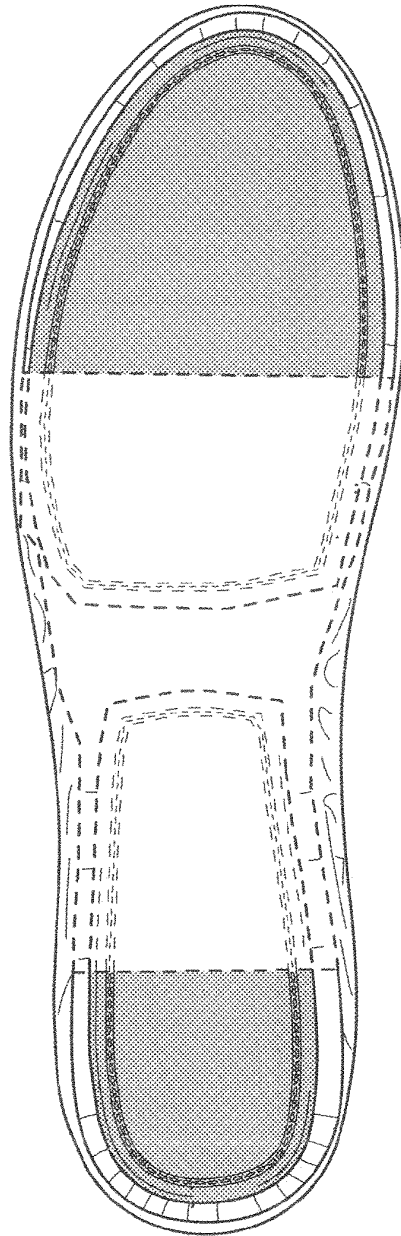


FIG. 12

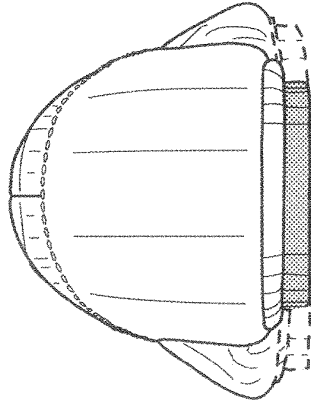


FIG. 14

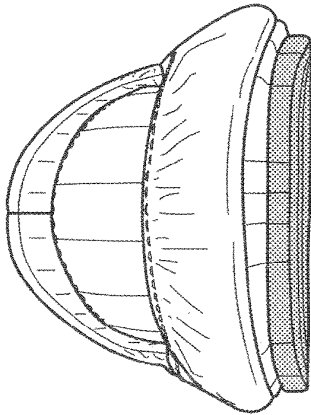


FIG. 13

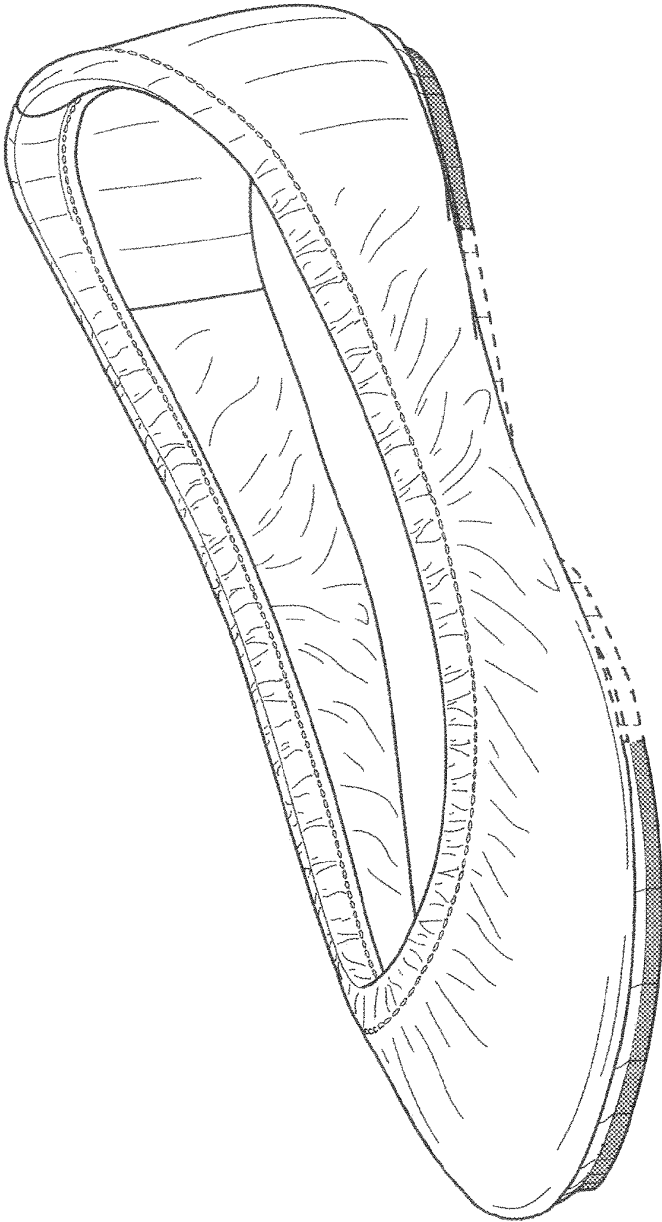


FIG. 15

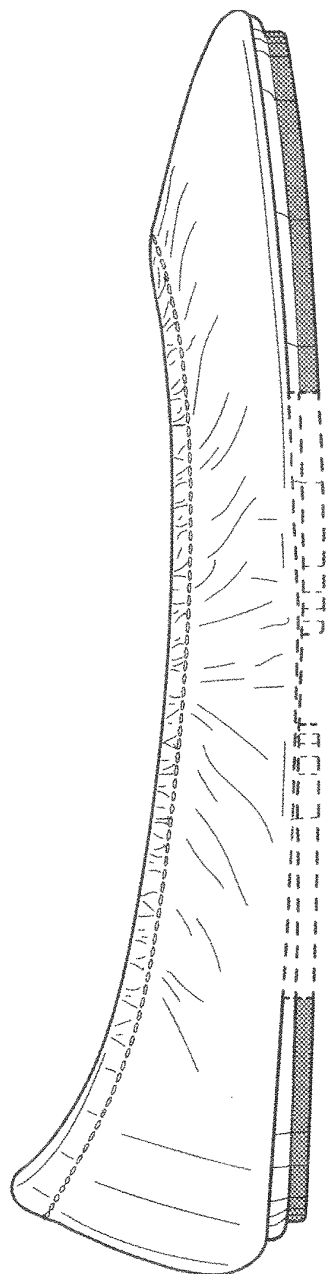


FIG. 16

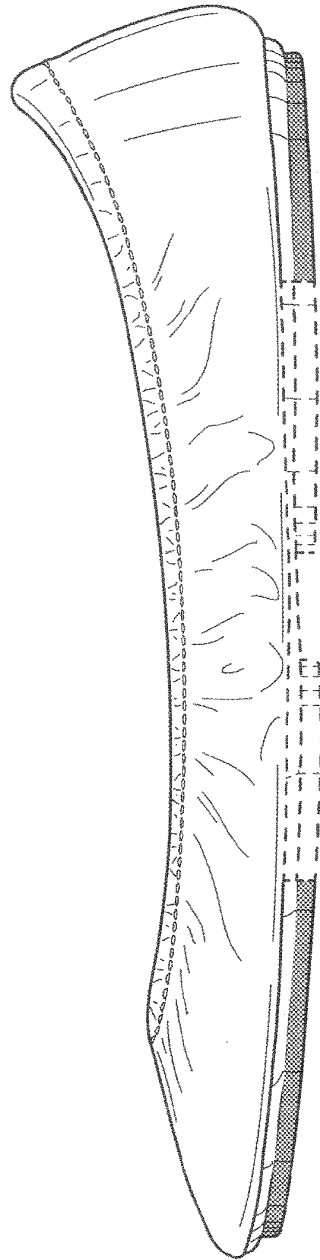


FIG. 17

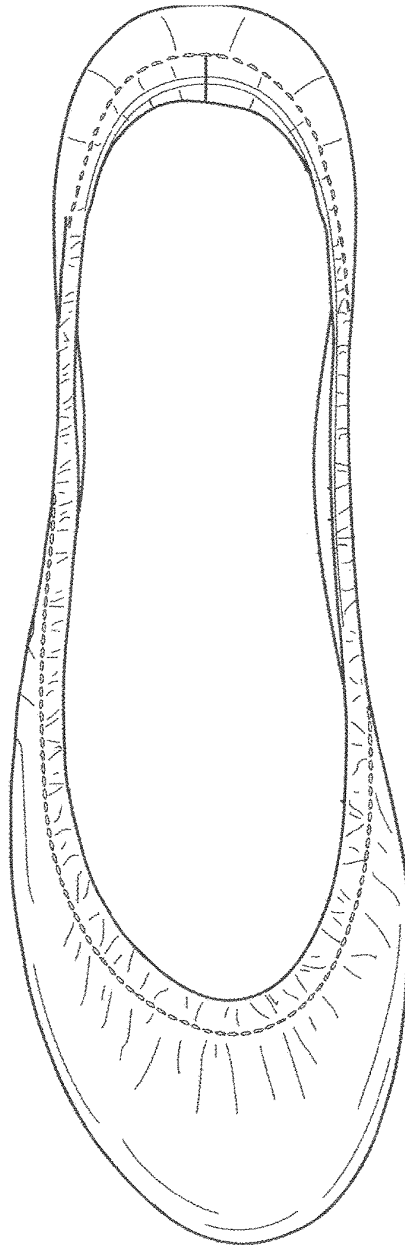


FIG. 18

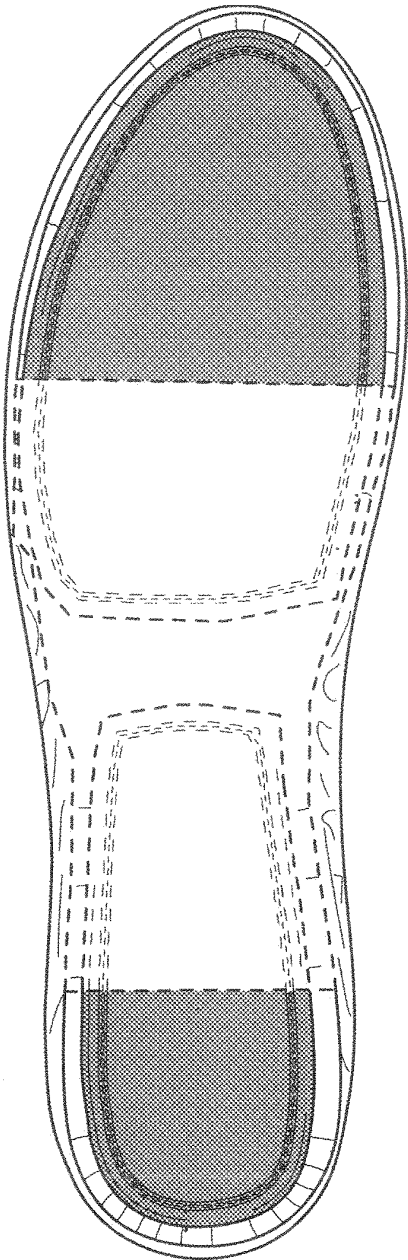


FIG. 19

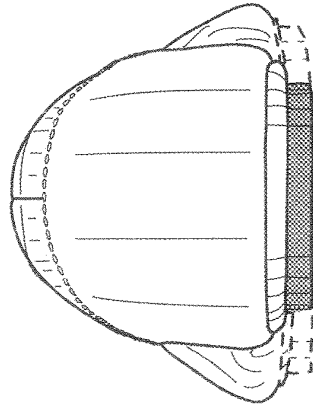


FIG. 21

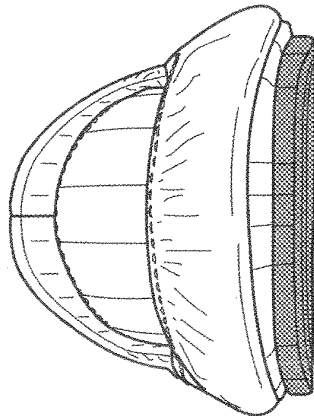


FIG. 20

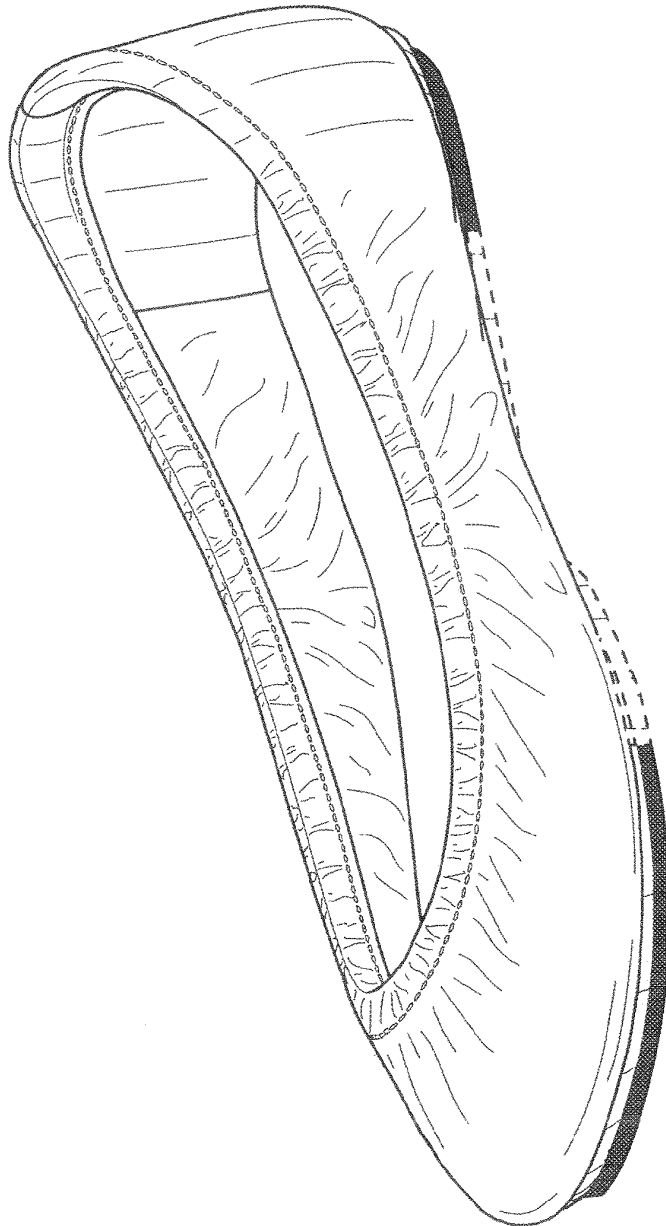


FIG. 22

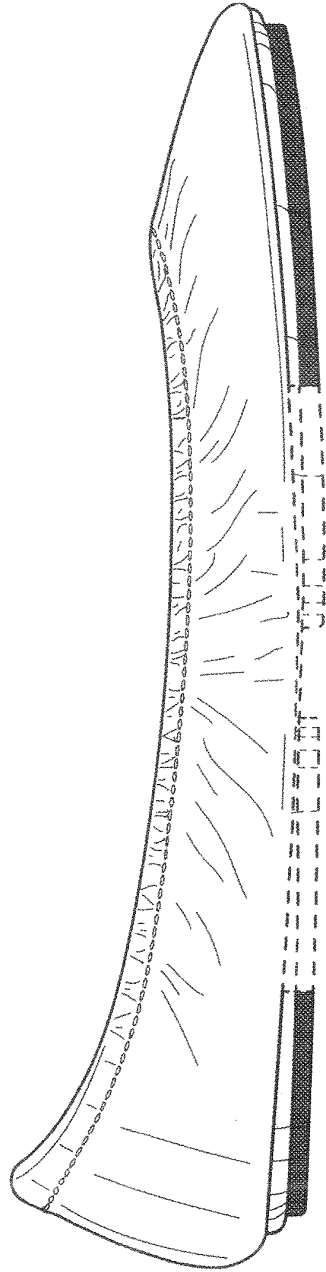


FIG. 23

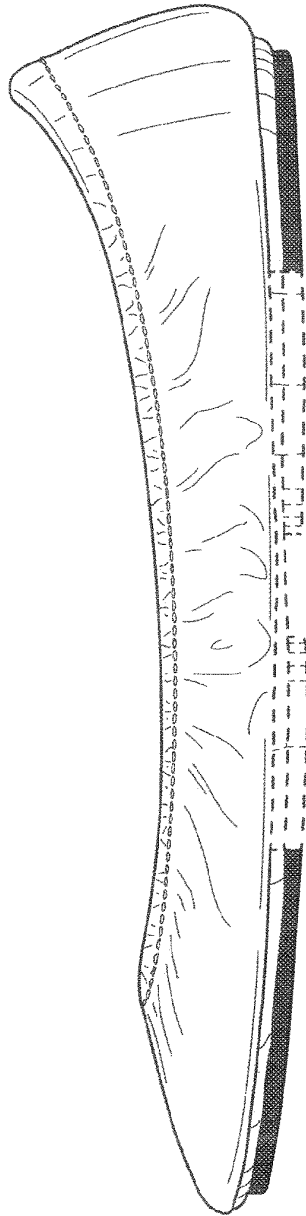


FIG. 24

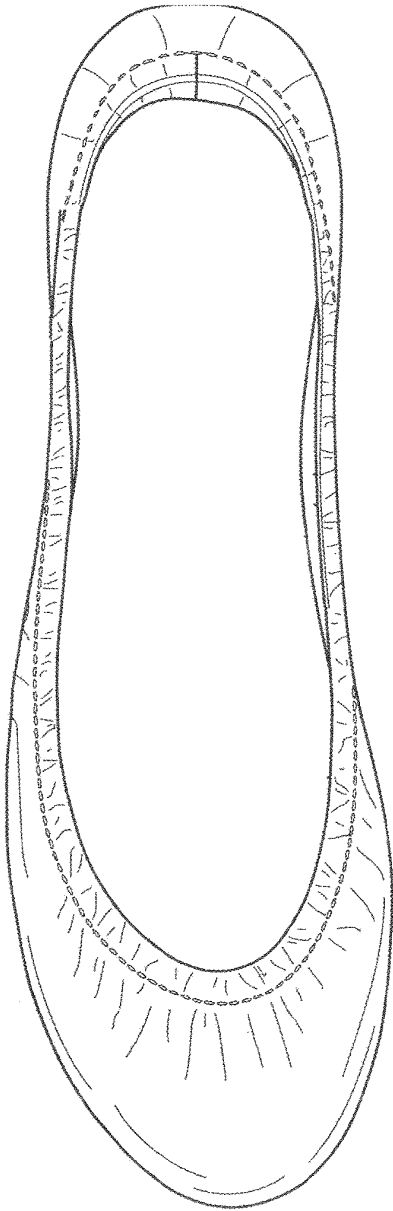


FIG. 25

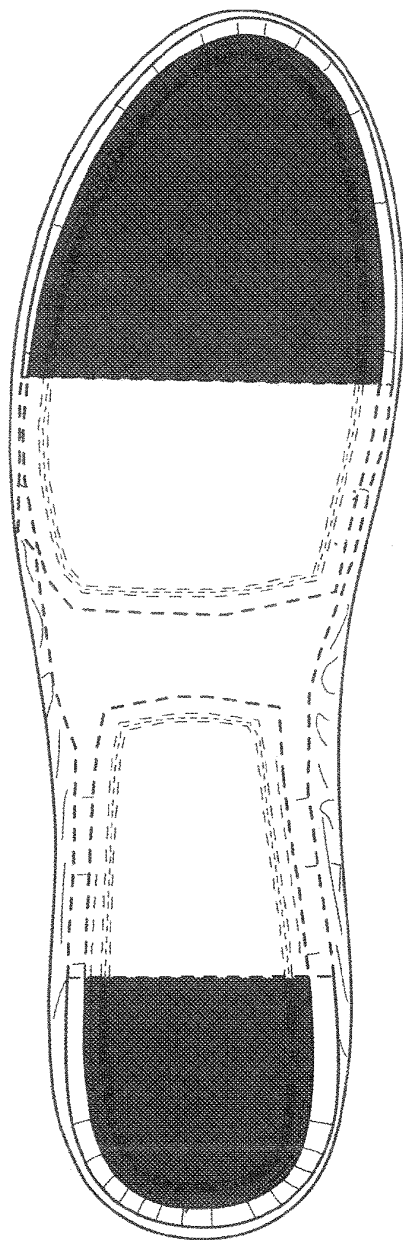


FIG. 26

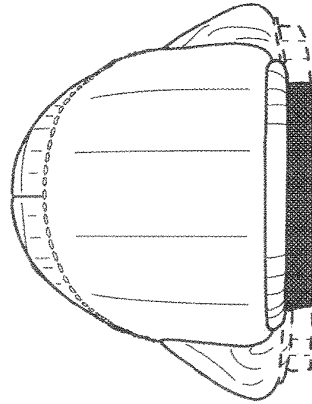


FIG. 27

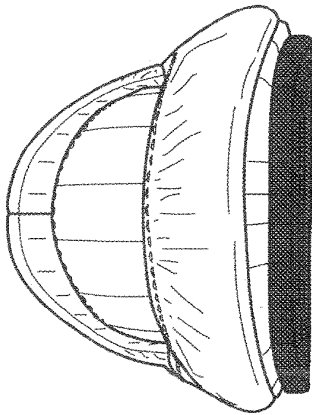


FIG. 28

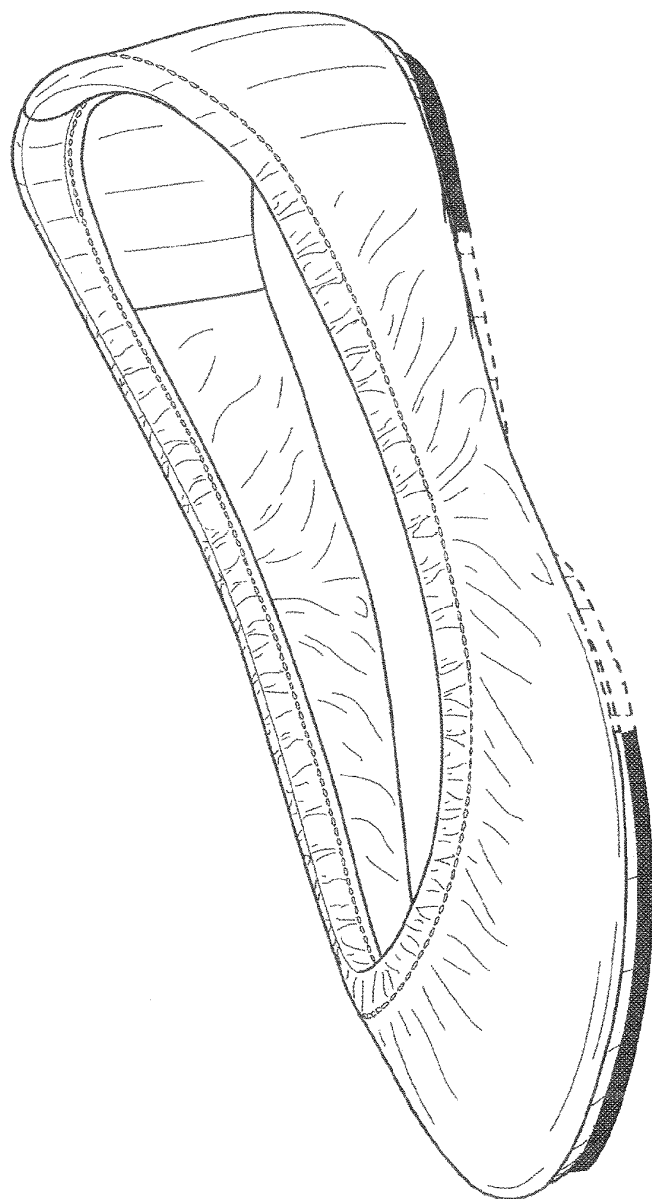


FIG. 29

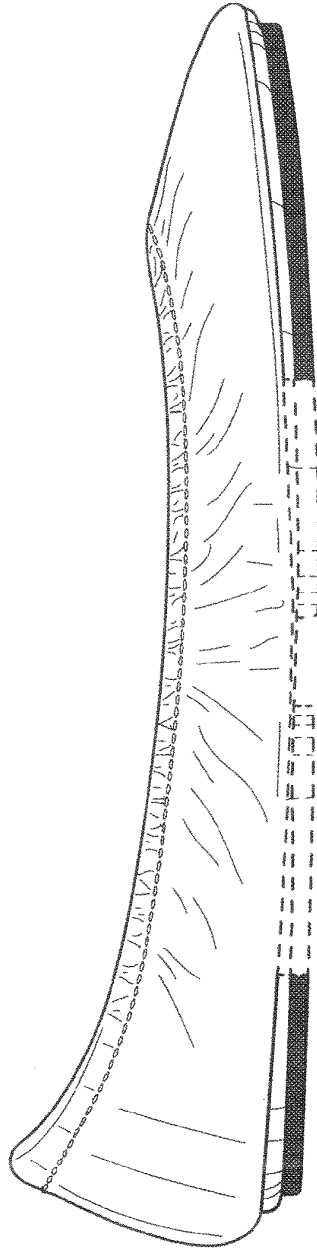


FIG. 30

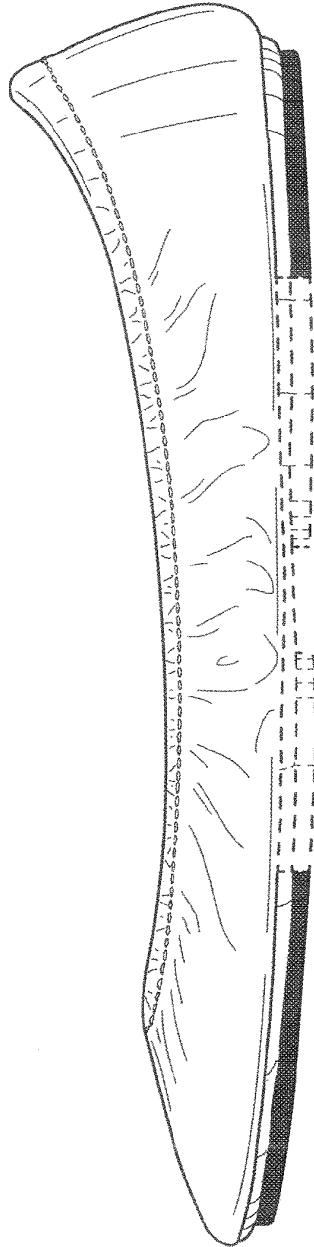


FIG. 31

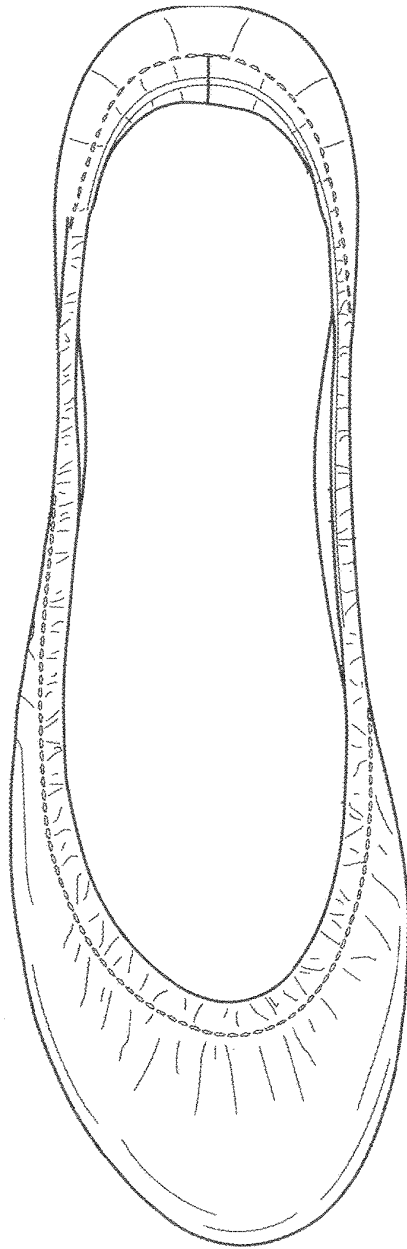


FIG. 32

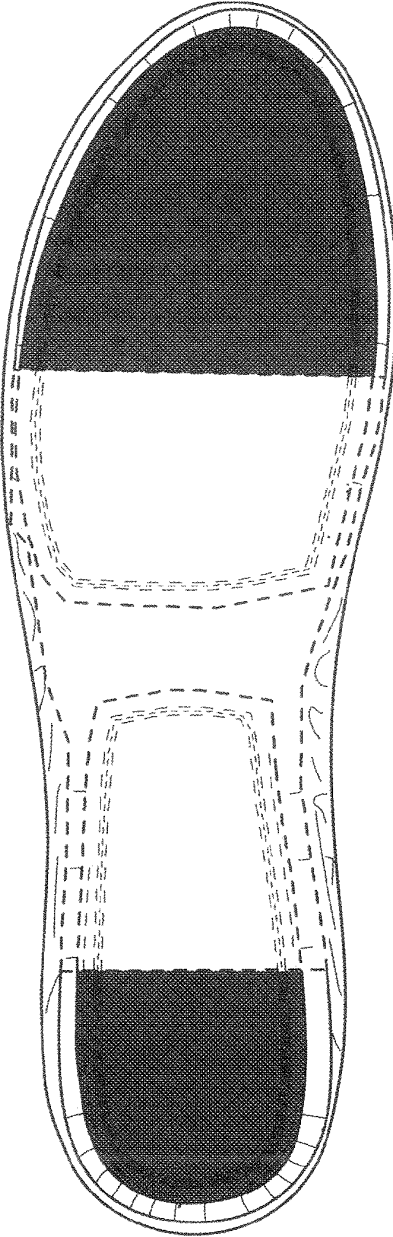


FIG. 33

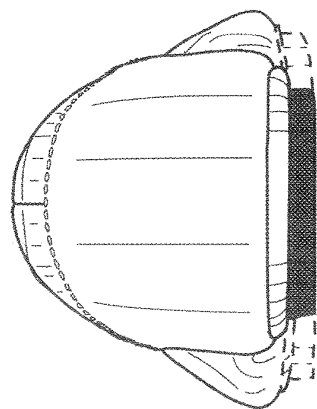


FIG. 35

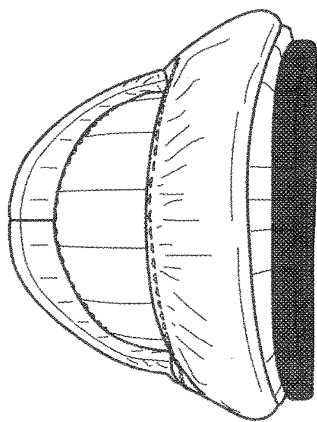


FIG. 34

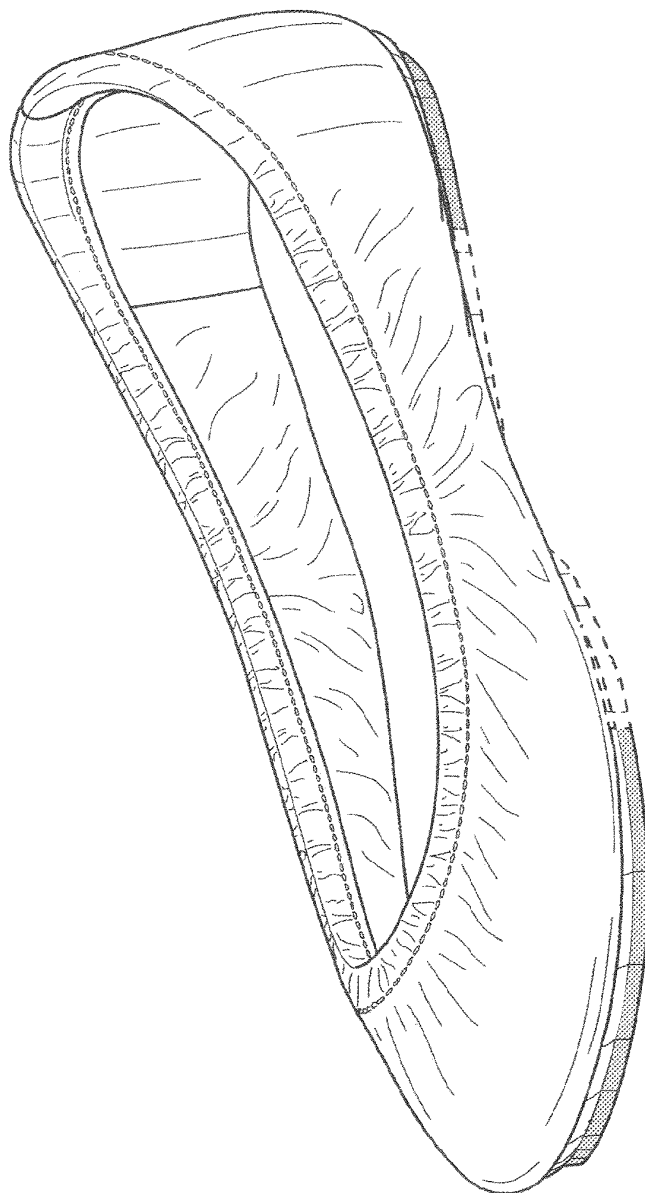


FIG. 36

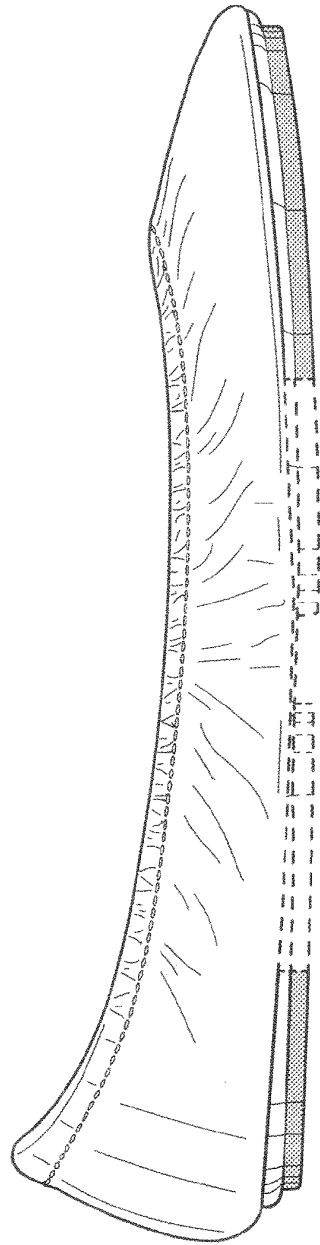


FIG. 37

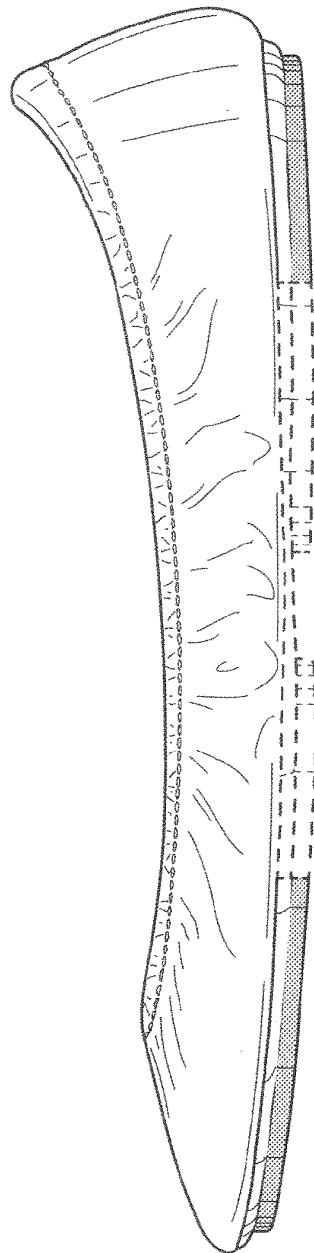


FIG. 38

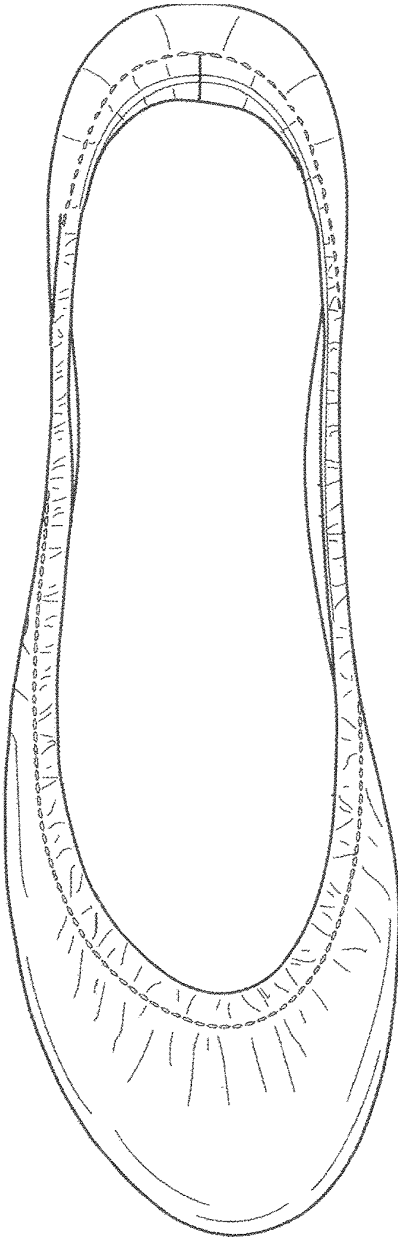


FIG. 39

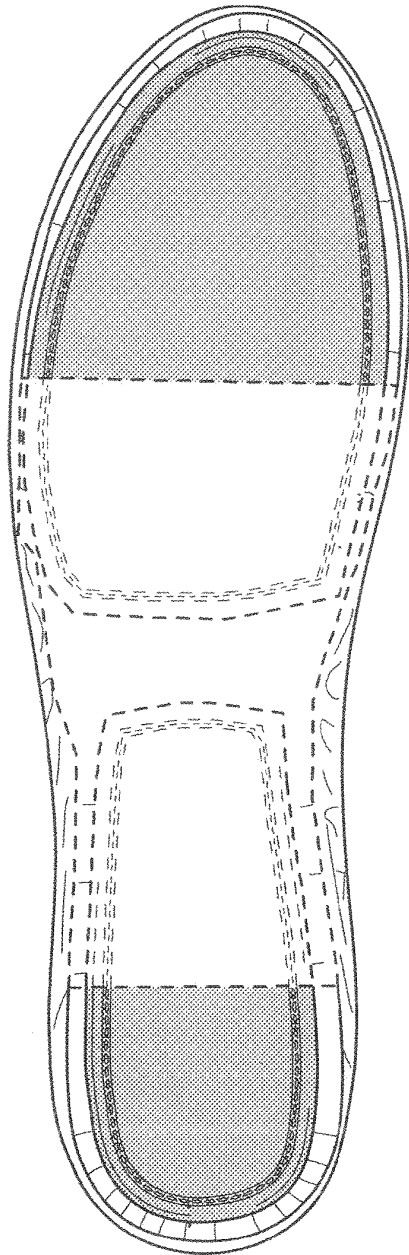


FIG. 40

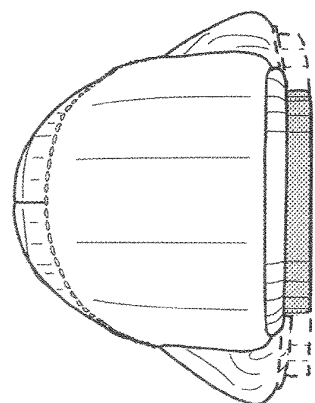


FIG. 42

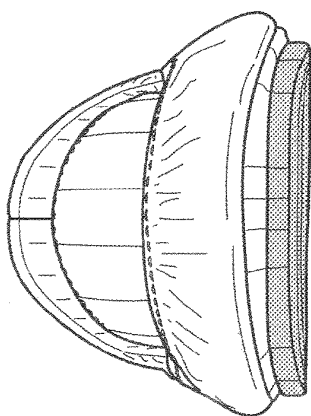


FIG. 41

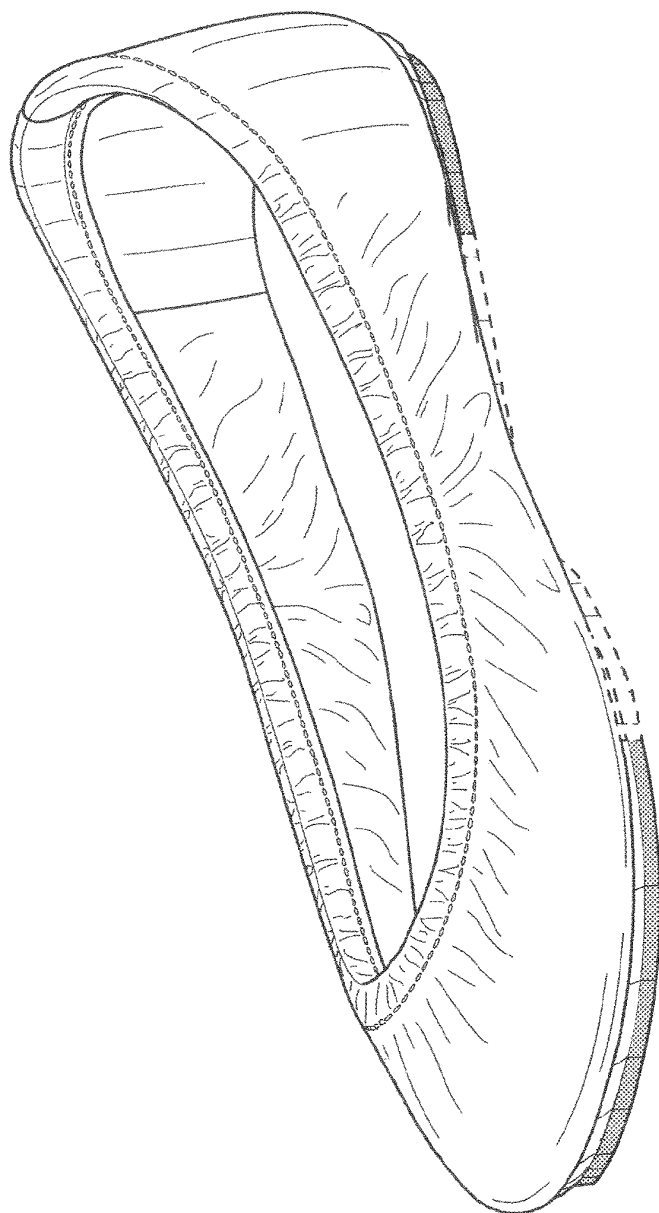


FIG. 43

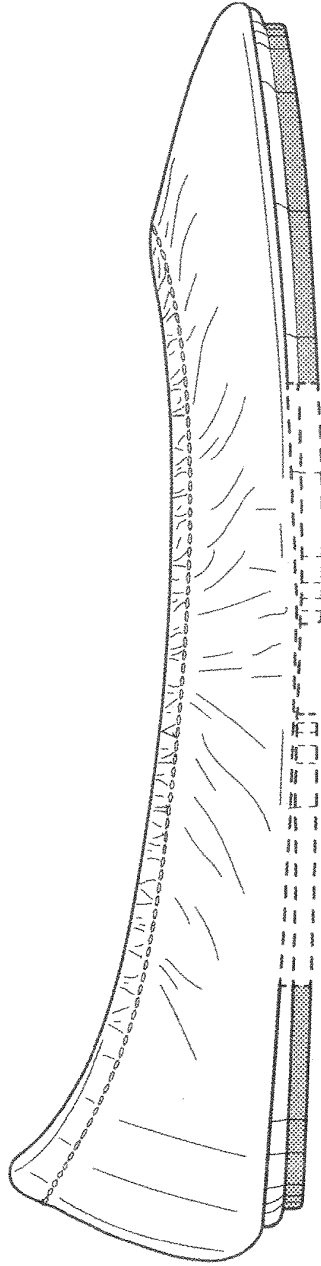


FIG. 44

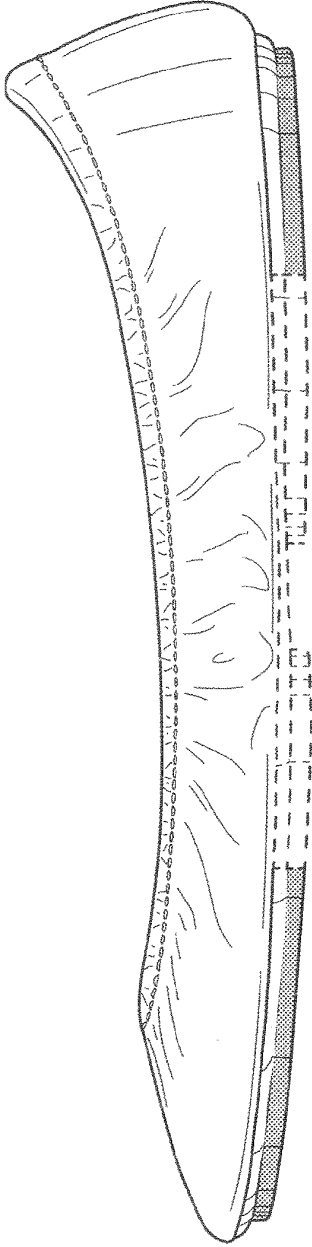


FIG. 45

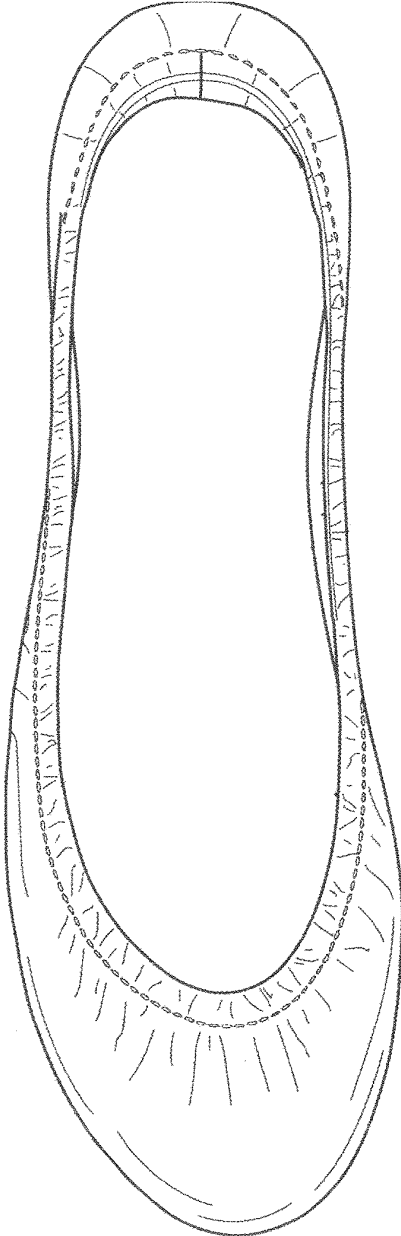


FIG. 46

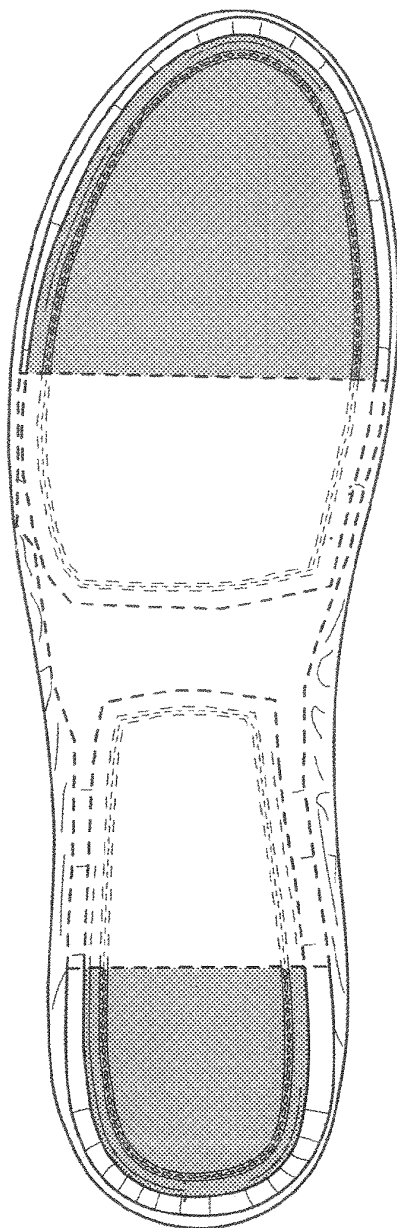


FIG. 47

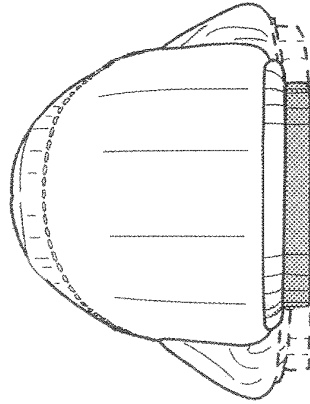


FIG. 49

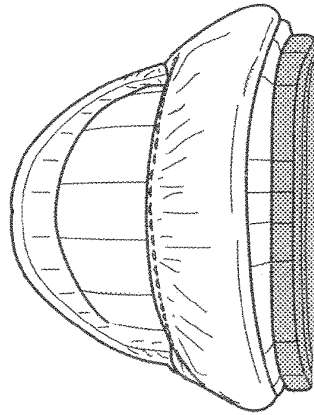


FIG. 48

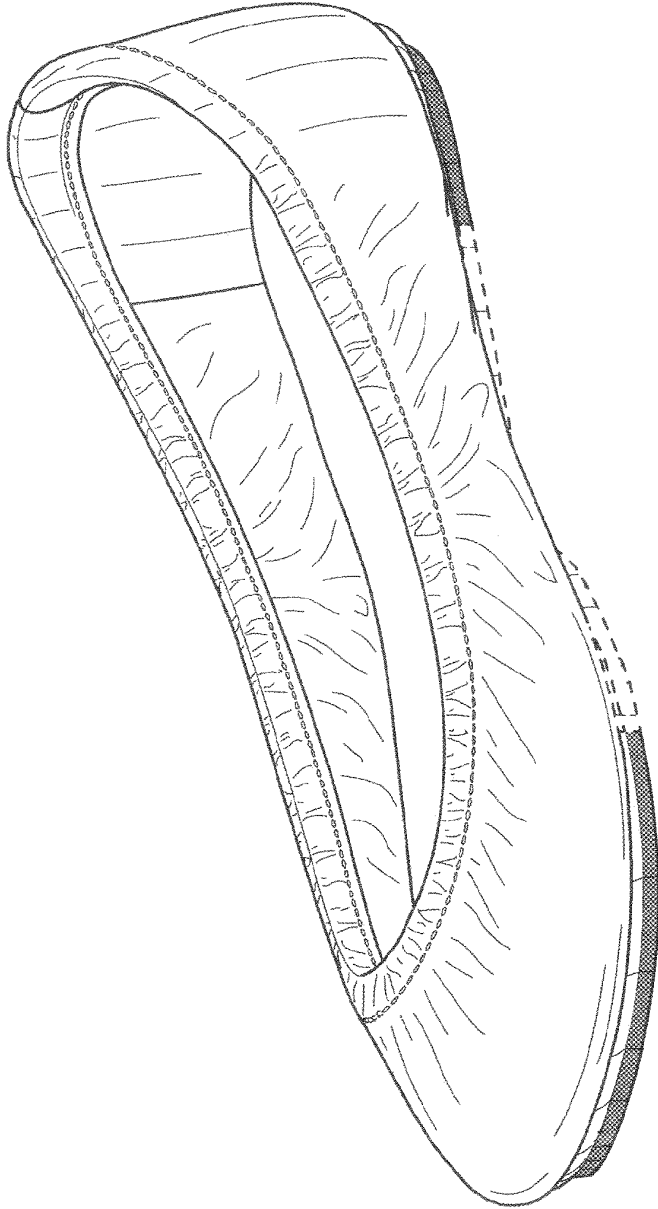


FIG. 50

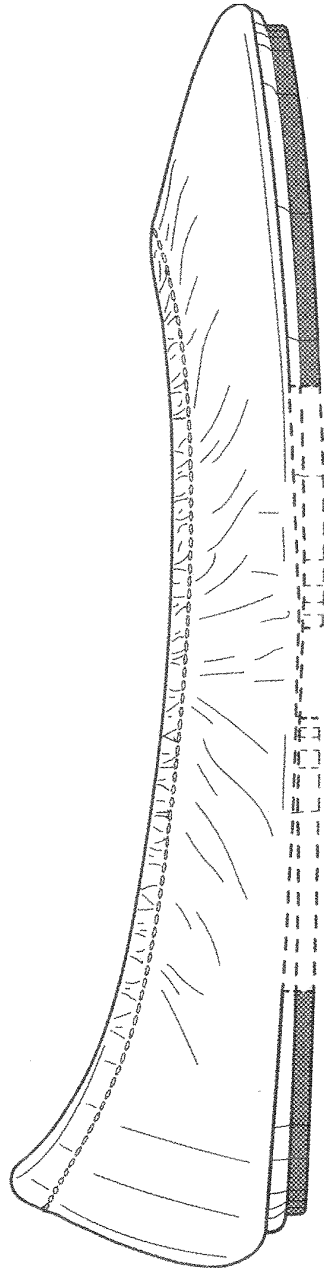


FIG. 51

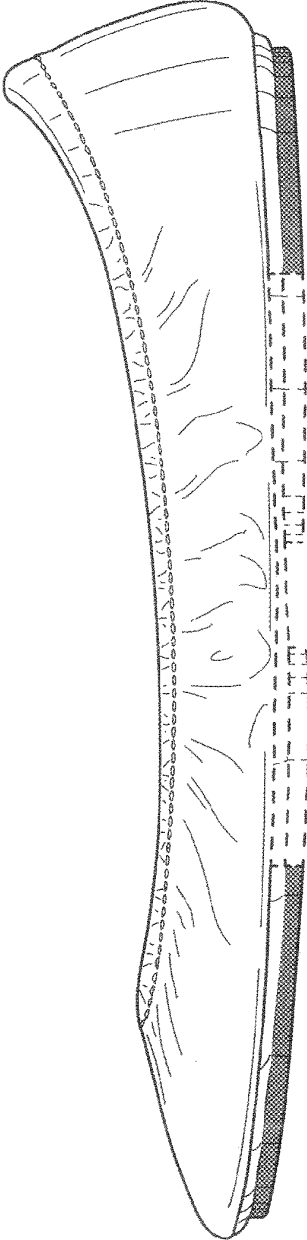


FIG. 52

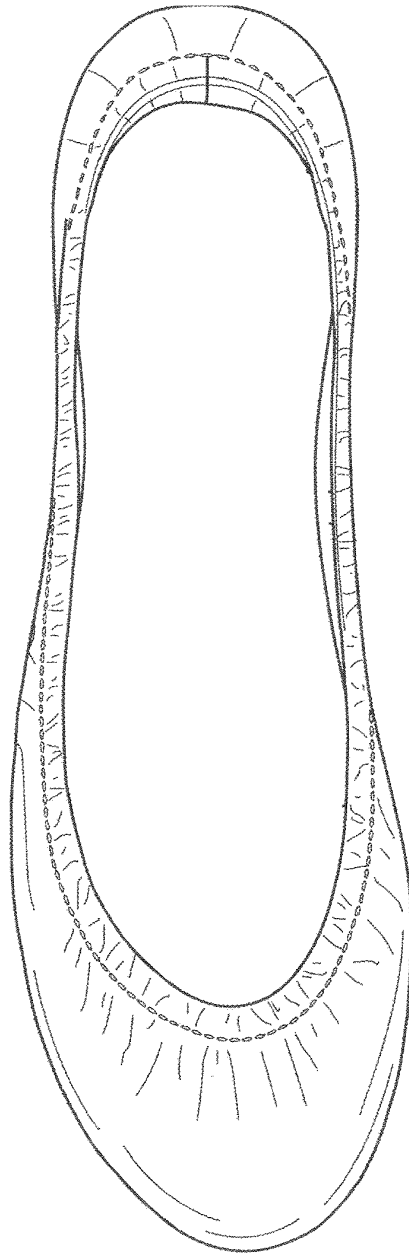


FIG. 53

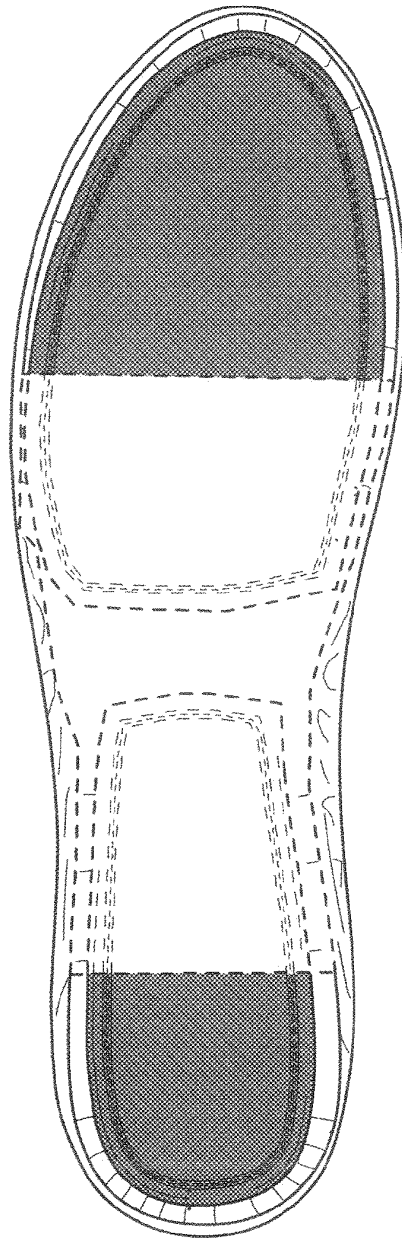


FIG. 54

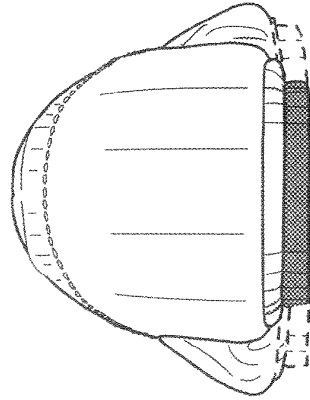


FIG. 56

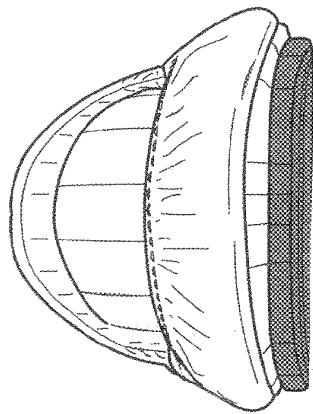


FIG. 55

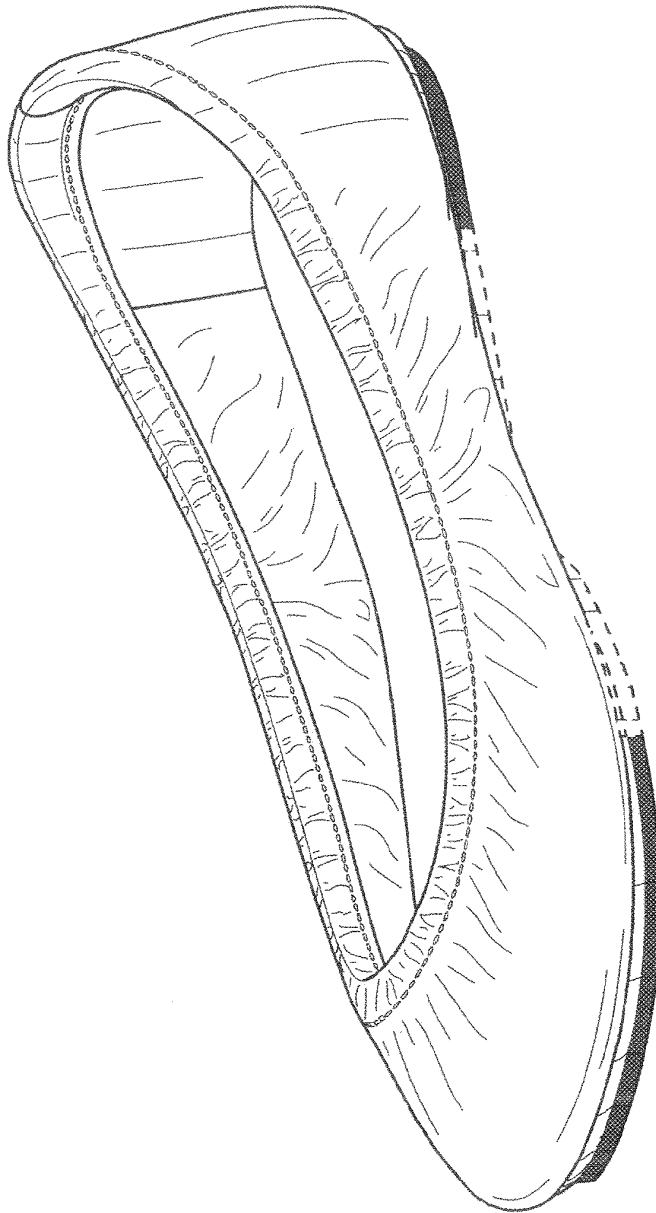


FIG. 57

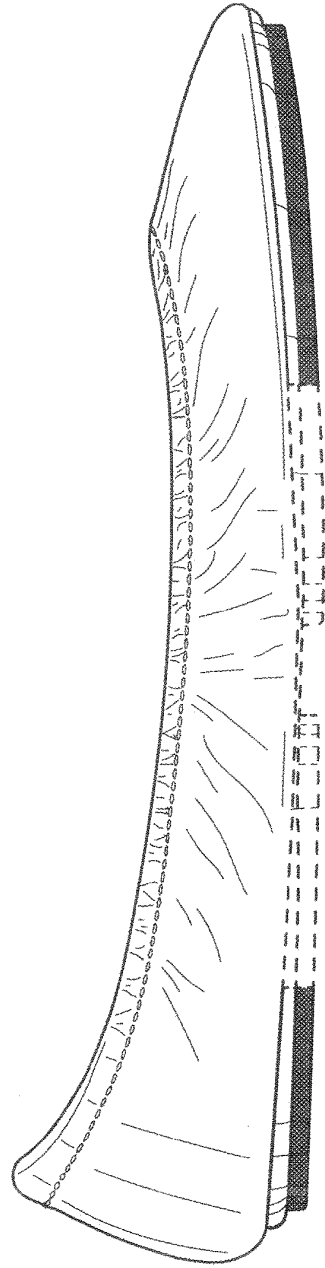


FIG. 58

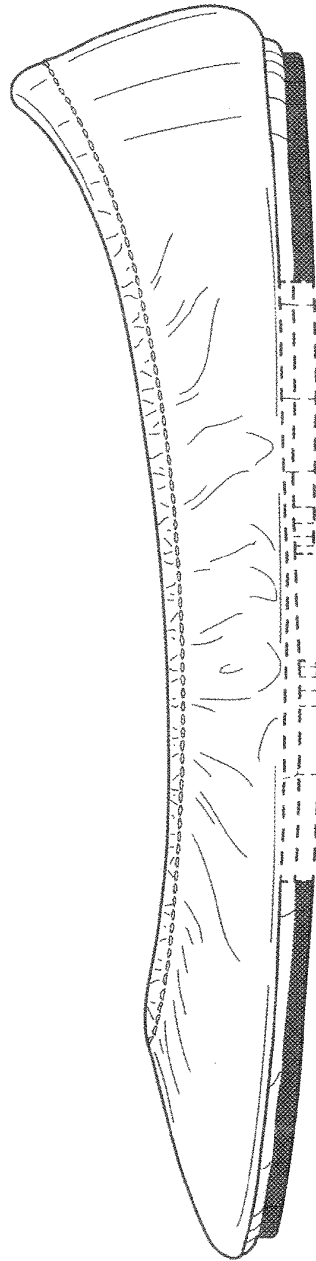


FIG. 59

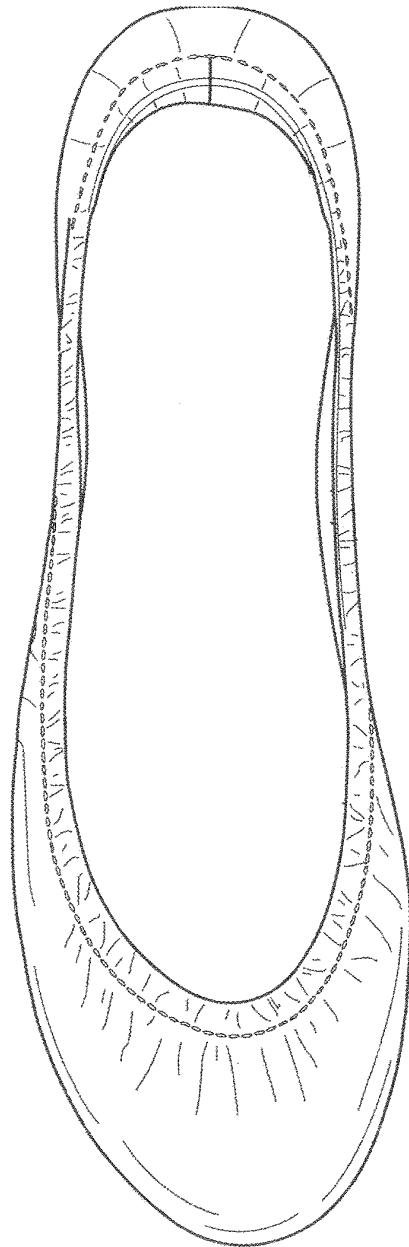


FIG. 60

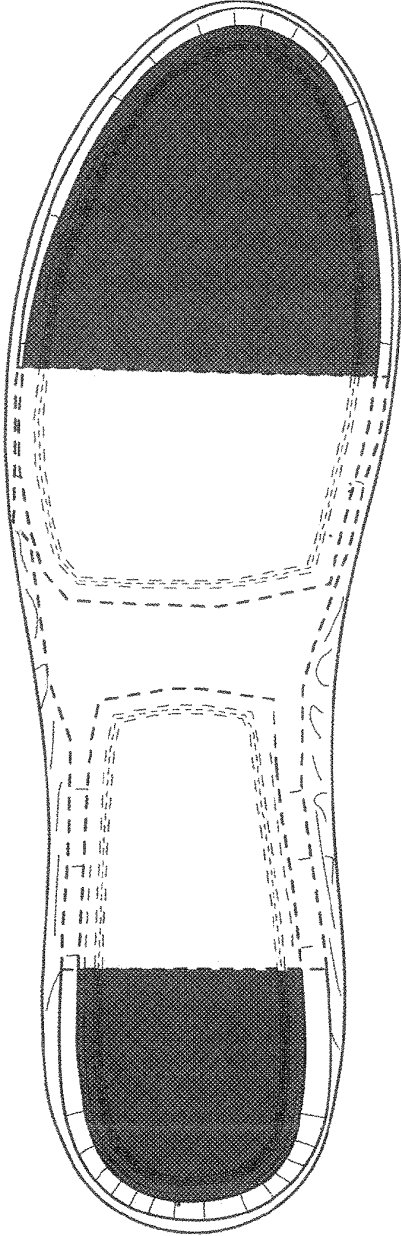


FIG. 61

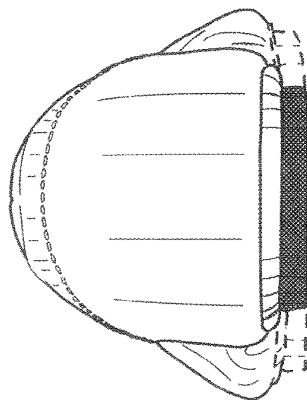


FIG. 63

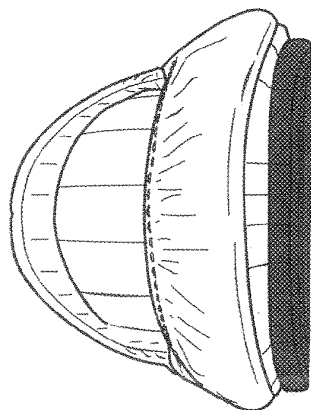


FIG. 62

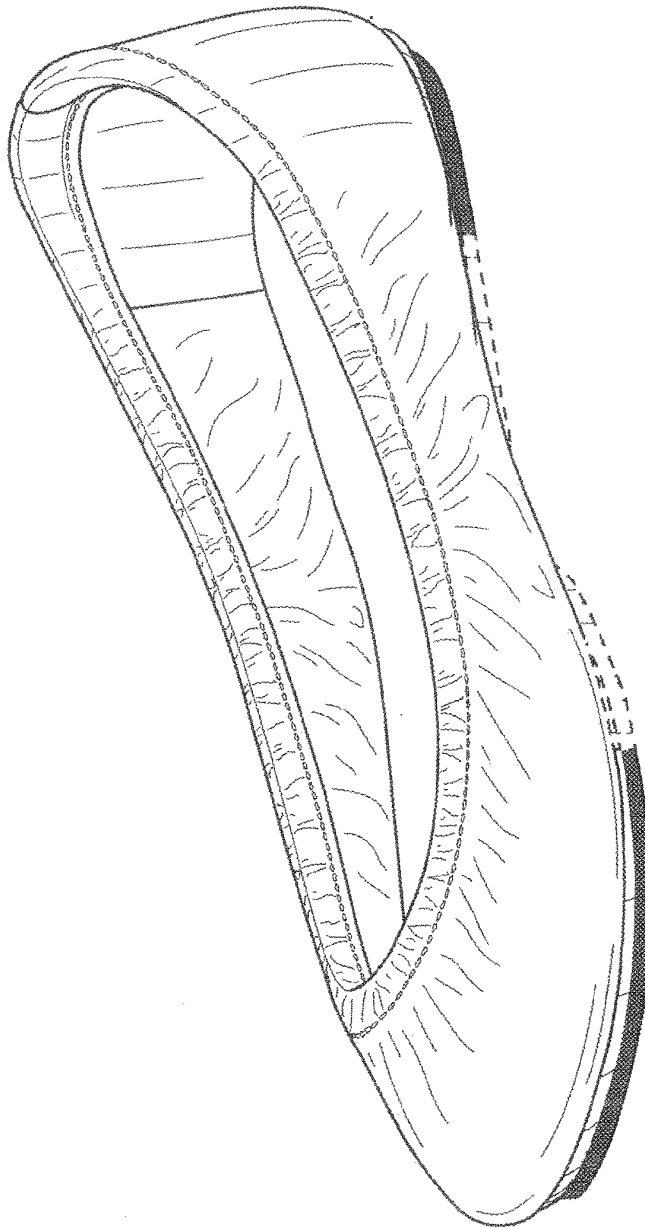


FIG. 64

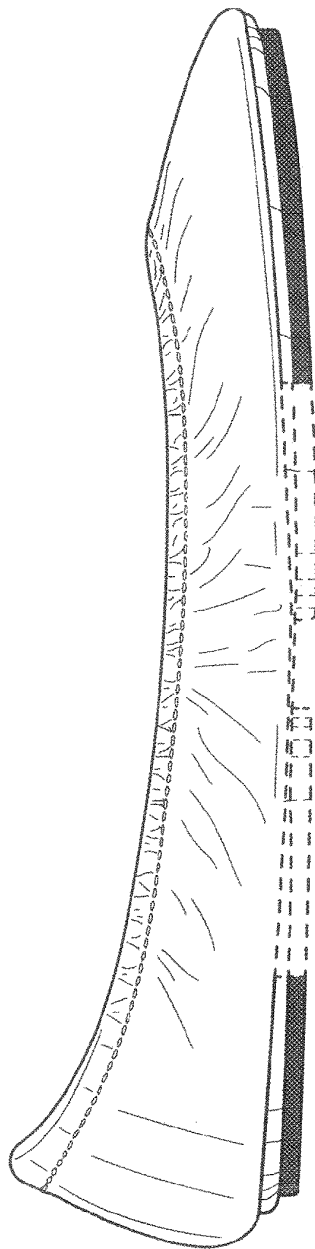


FIG. 65

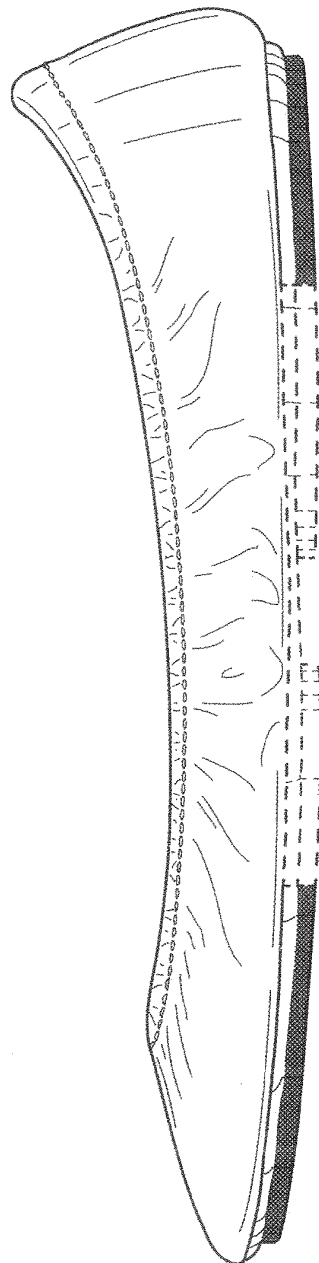


FIG. 66

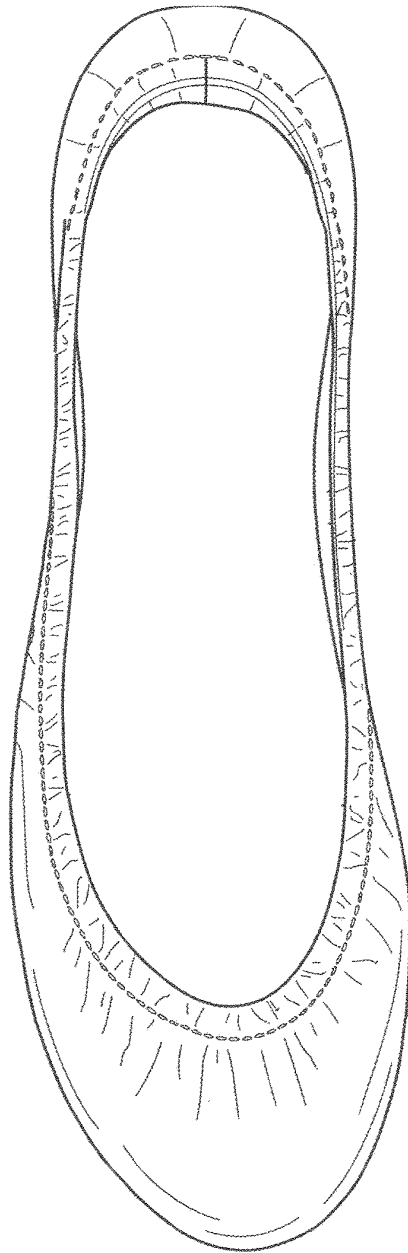


FIG. 67

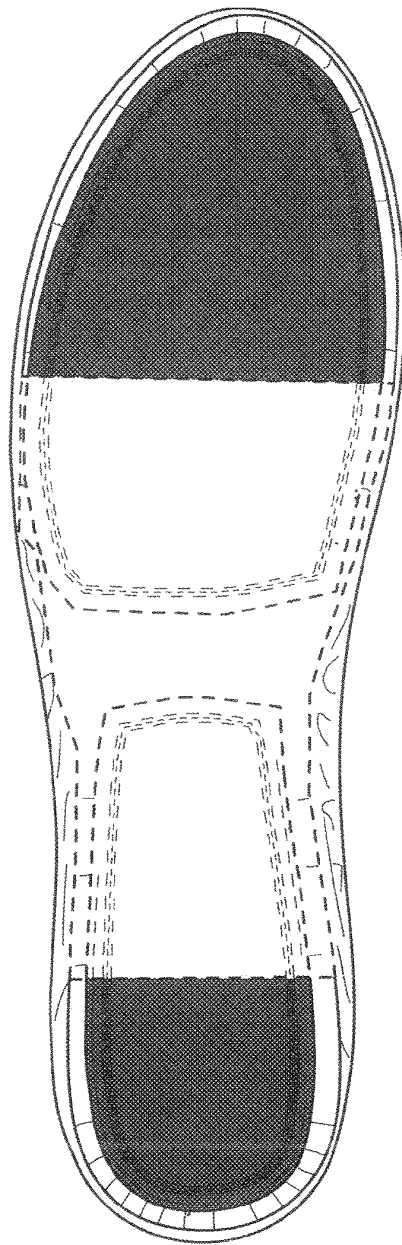


FIG. 68

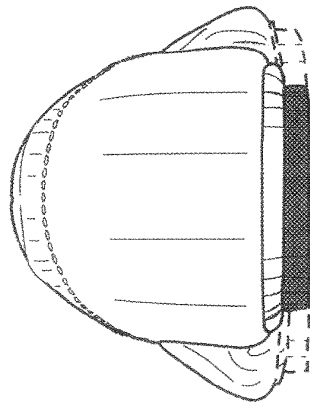


FIG. 69

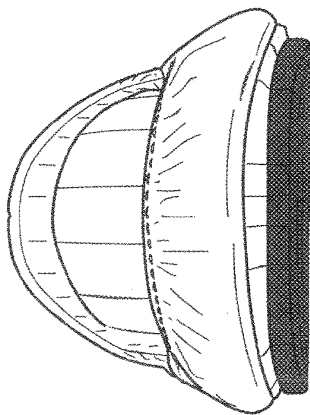


FIG. 70

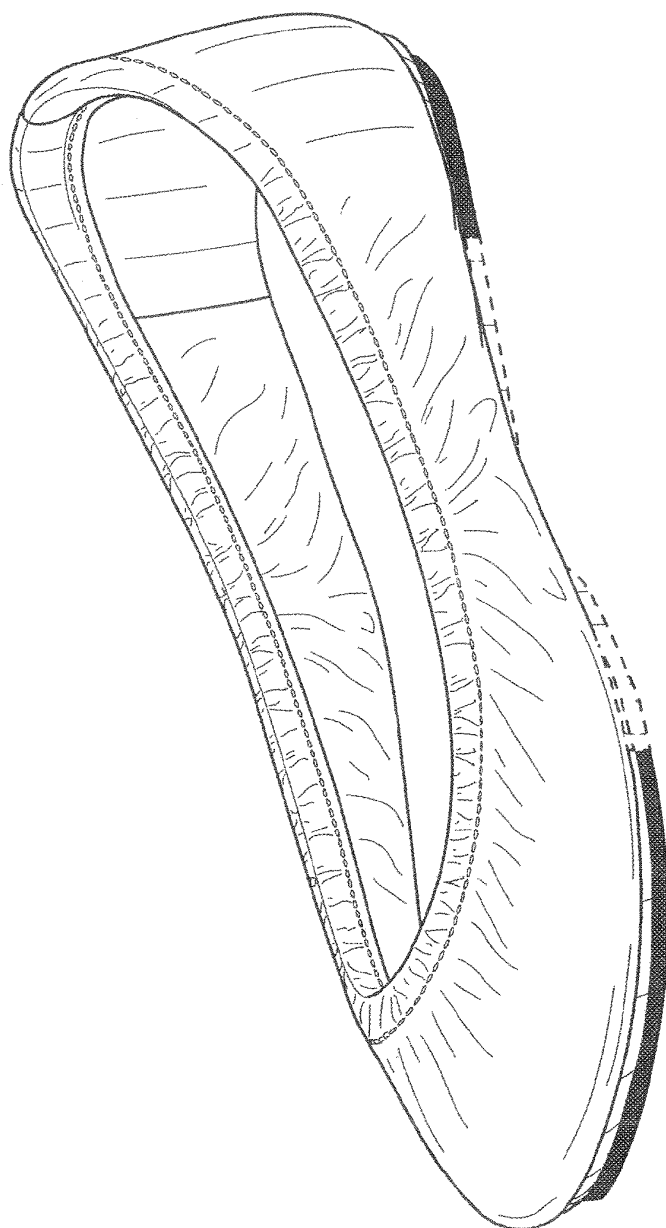


FIG. 71

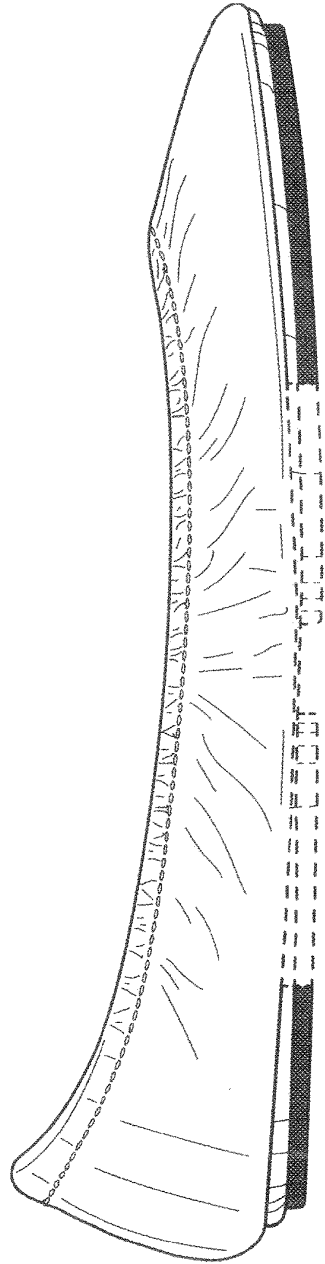


FIG. 72

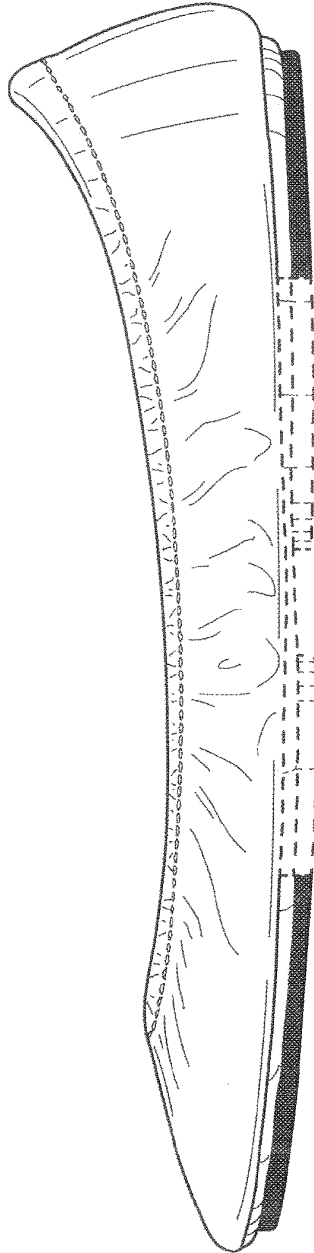


FIG. 73

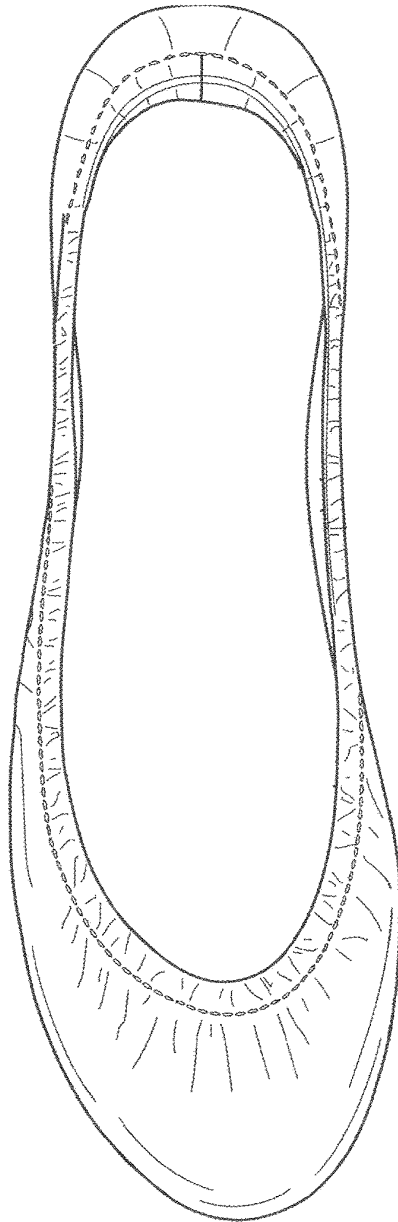


FIG. 74

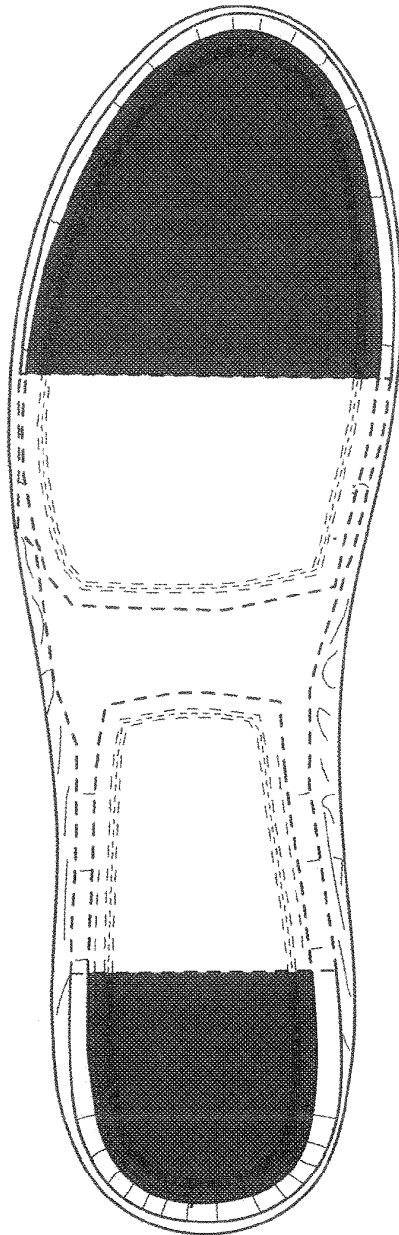


FIG. 75

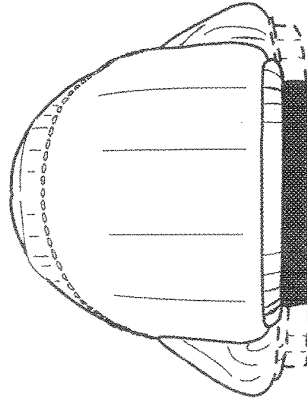


FIG. 77

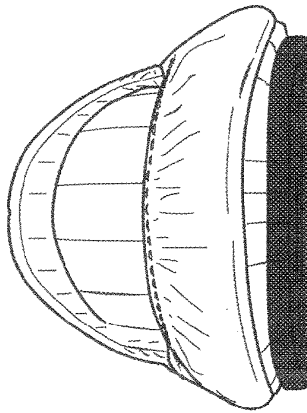


FIG. 76

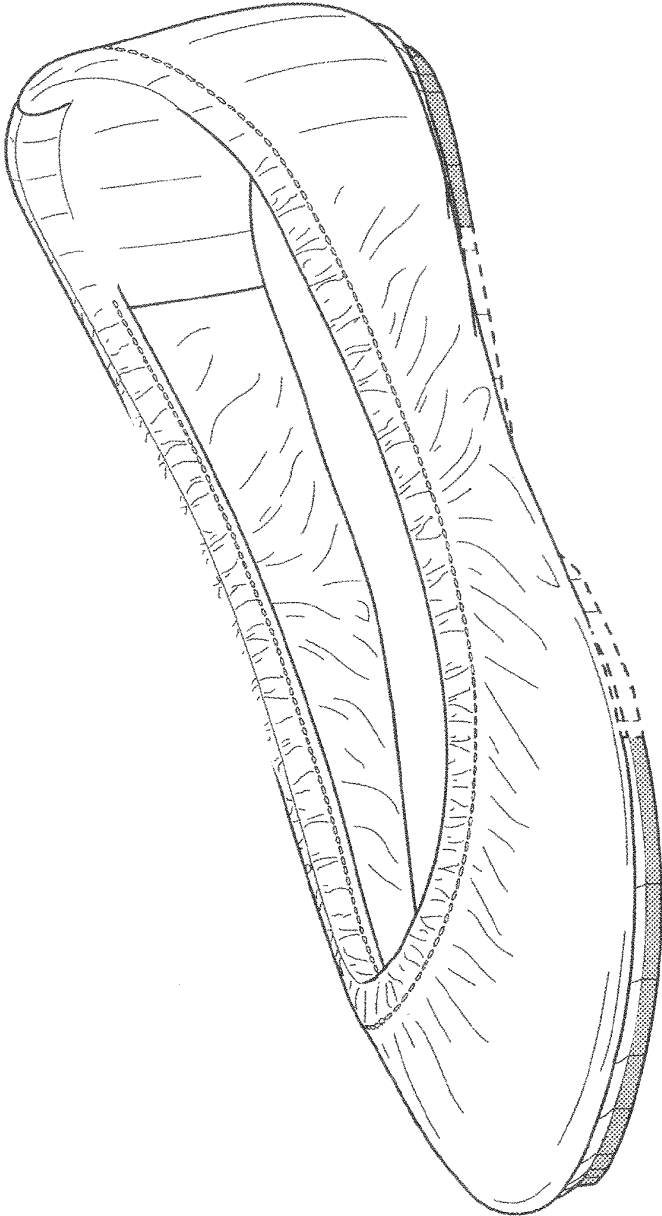


FIG. 78

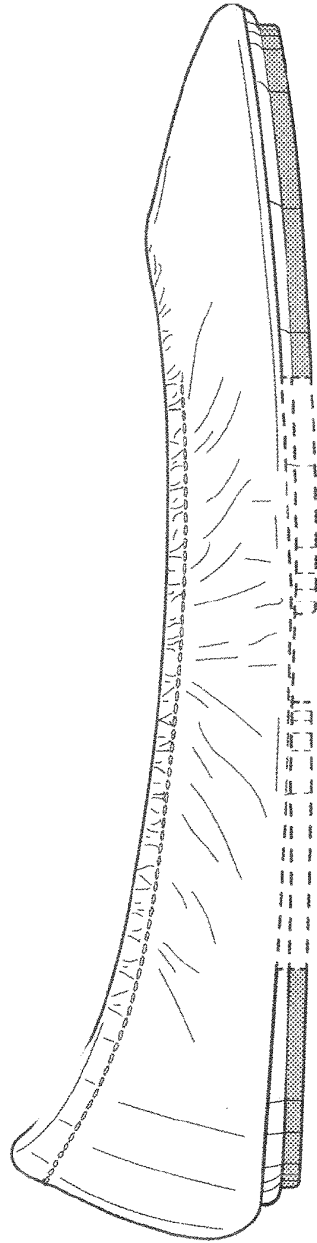


FIG. 79

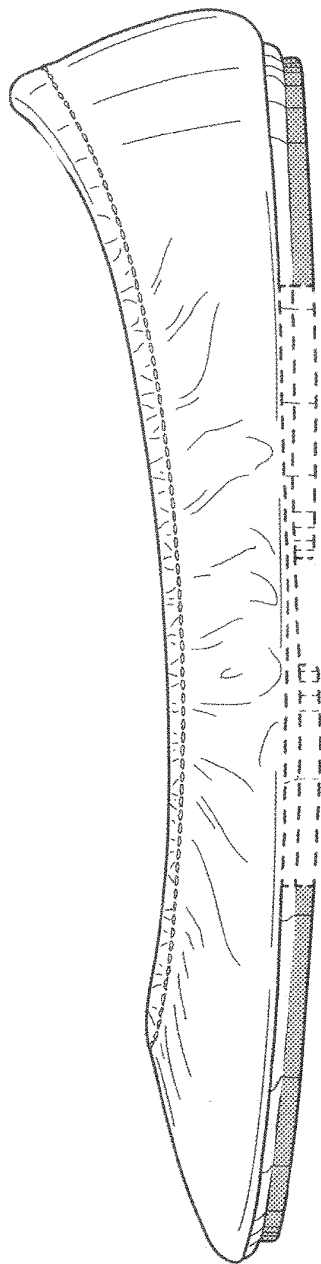


FIG. 80

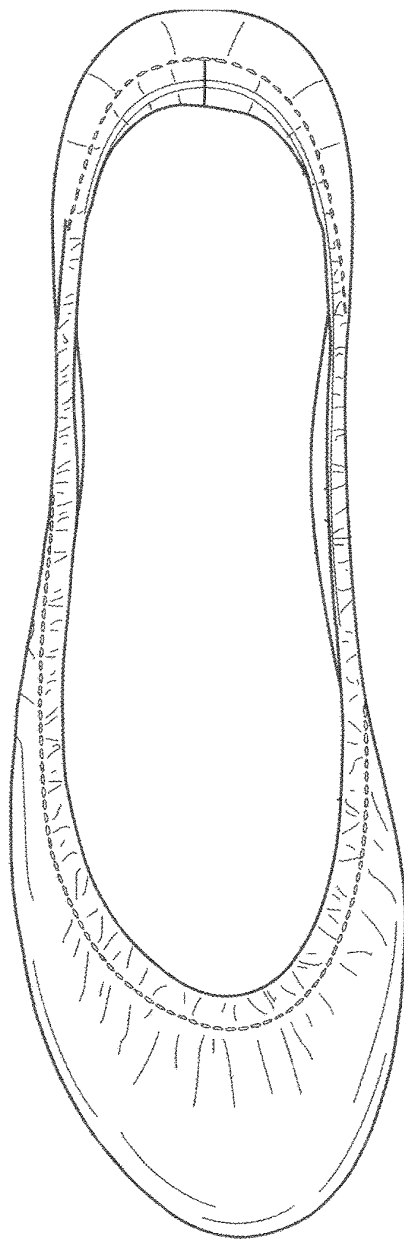


FIG. 81

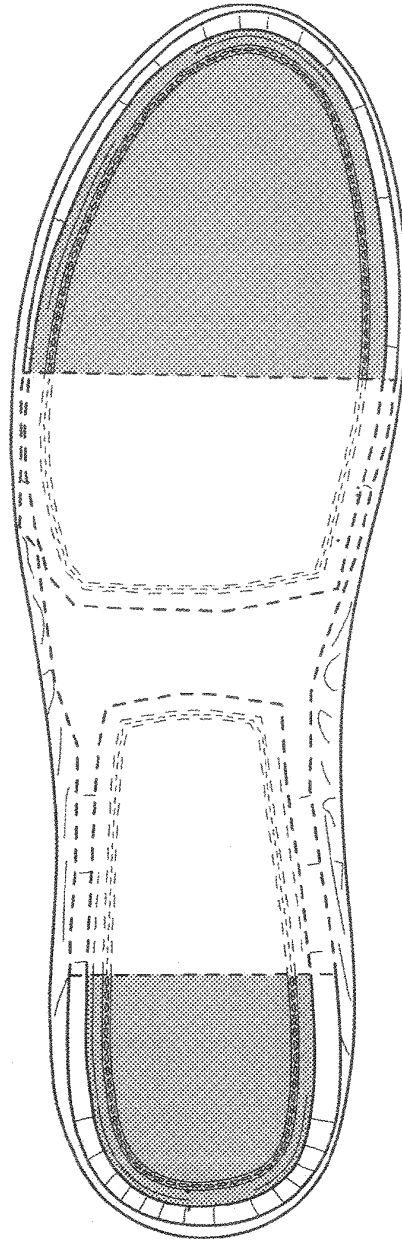


FIG. 82

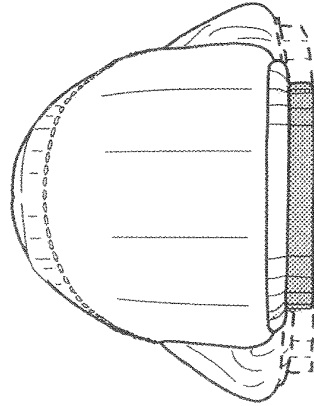


FIG. 84

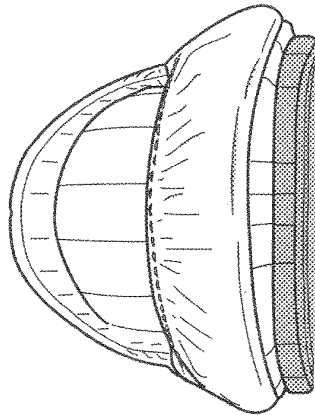


FIG. 83

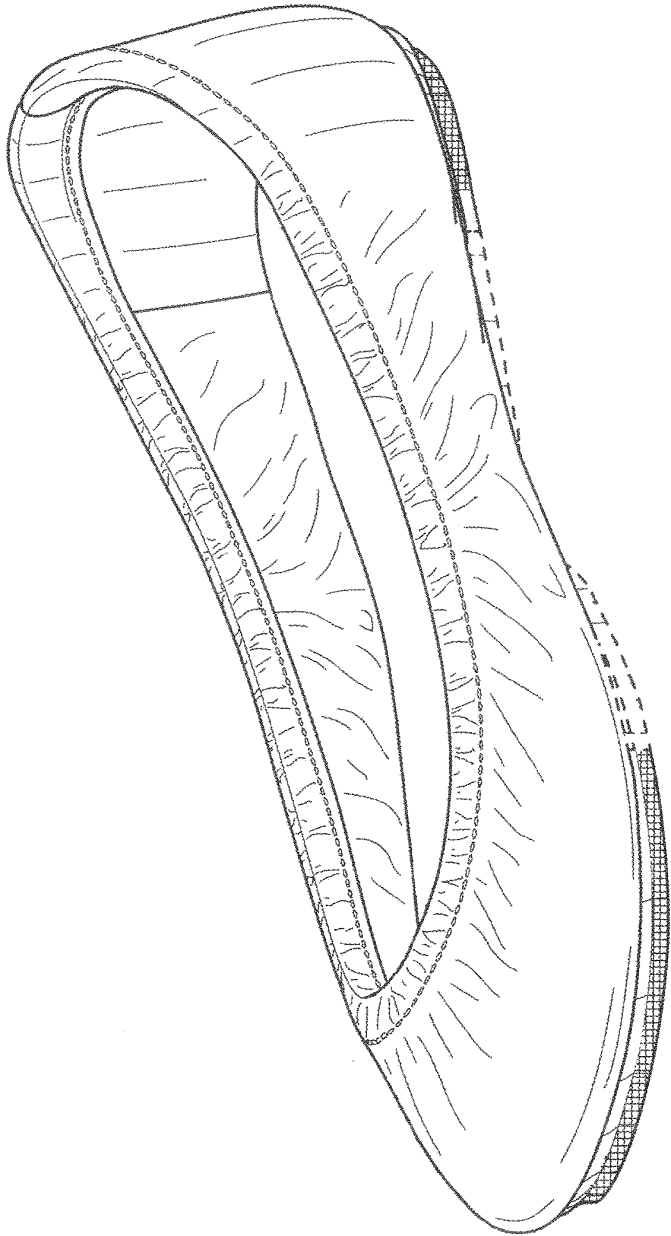


FIG. 85

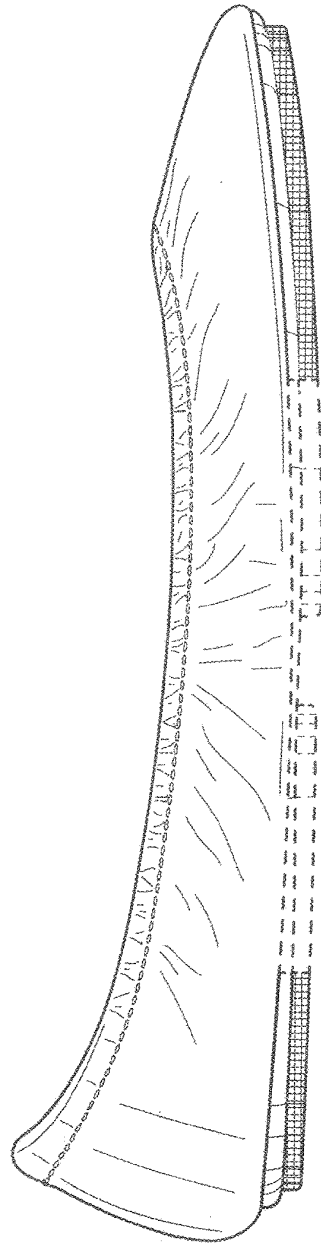


FIG. 86

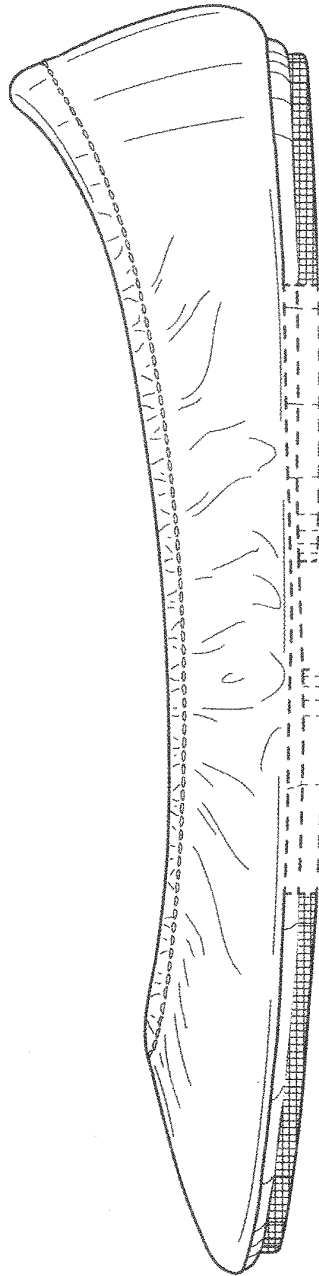


FIG. 87

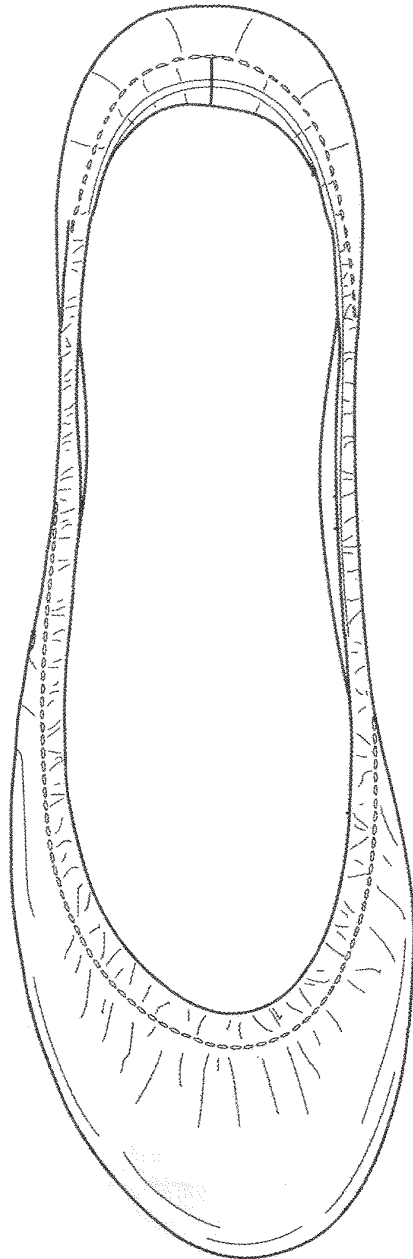


FIG. 88

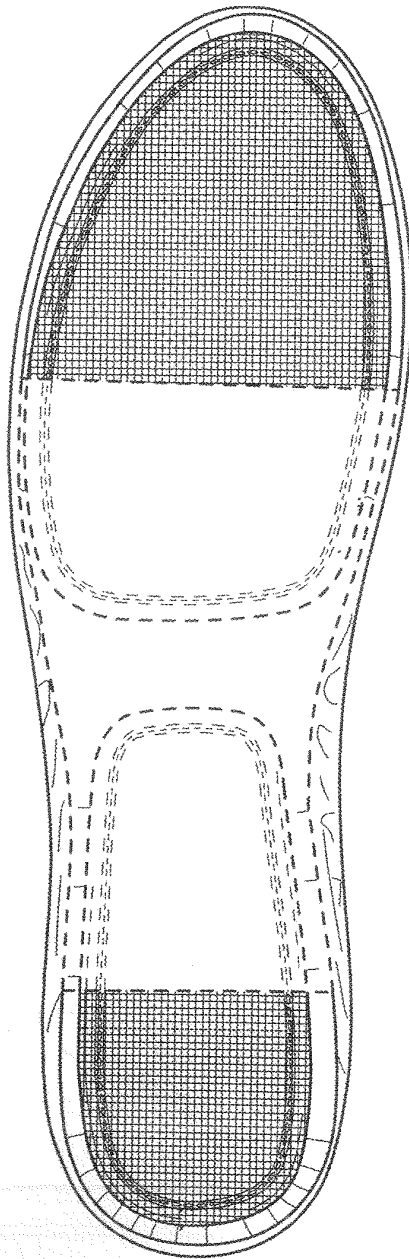


FIG. 89

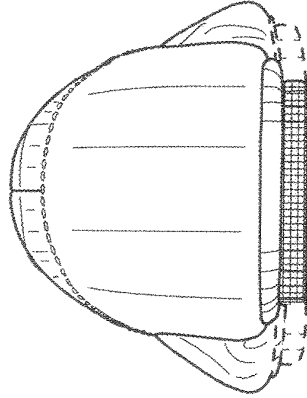


FIG. 90

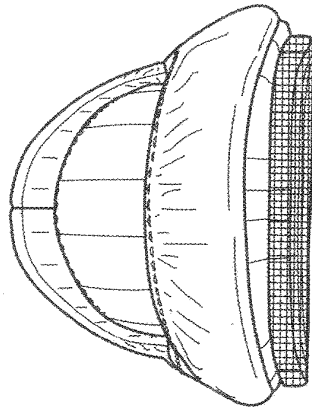


FIG. 91

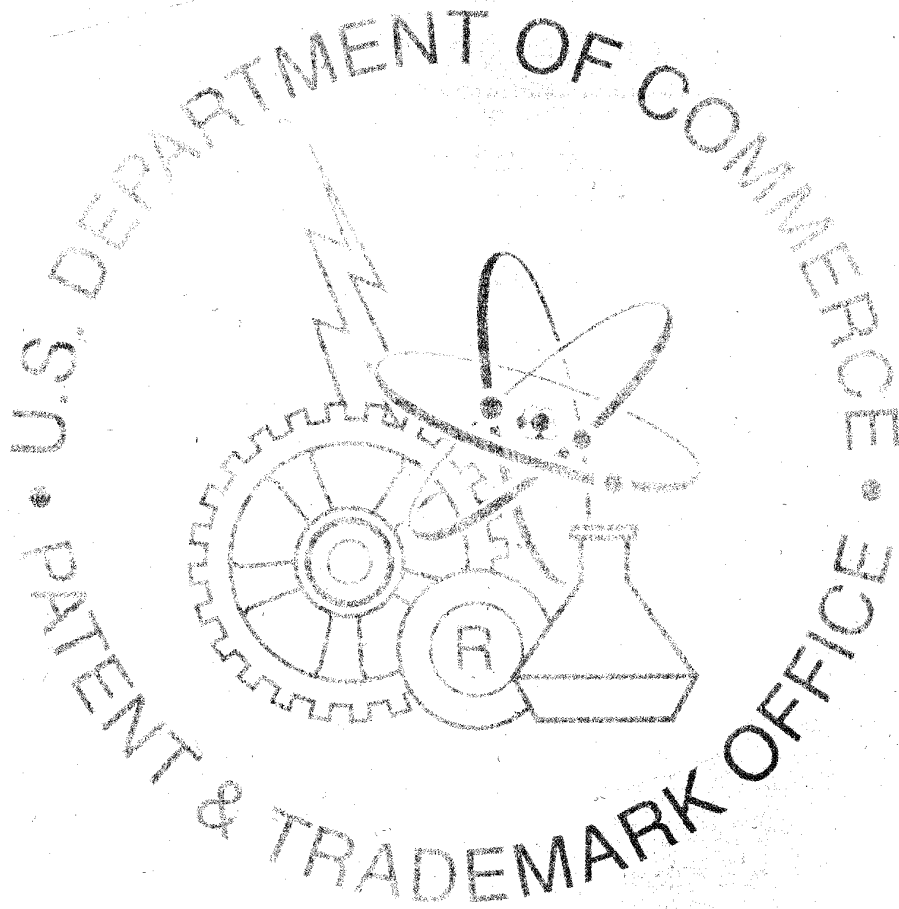


Exhibit D

